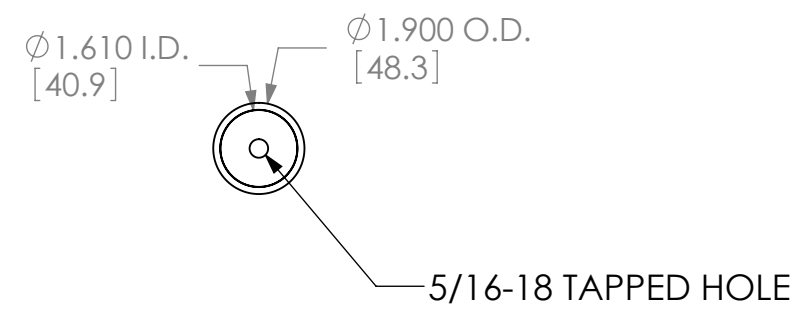
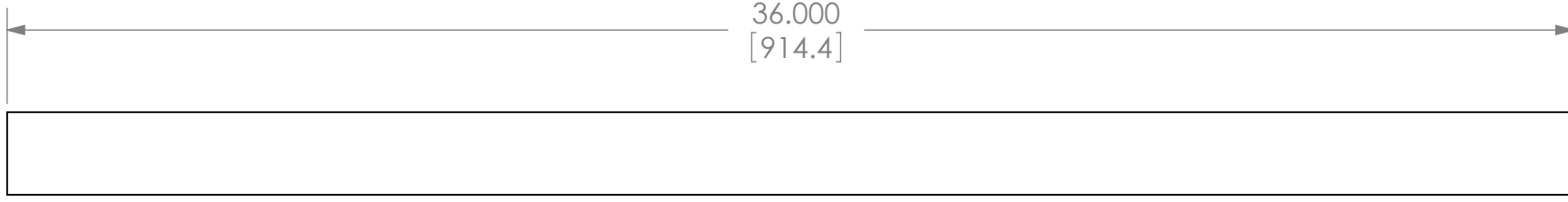
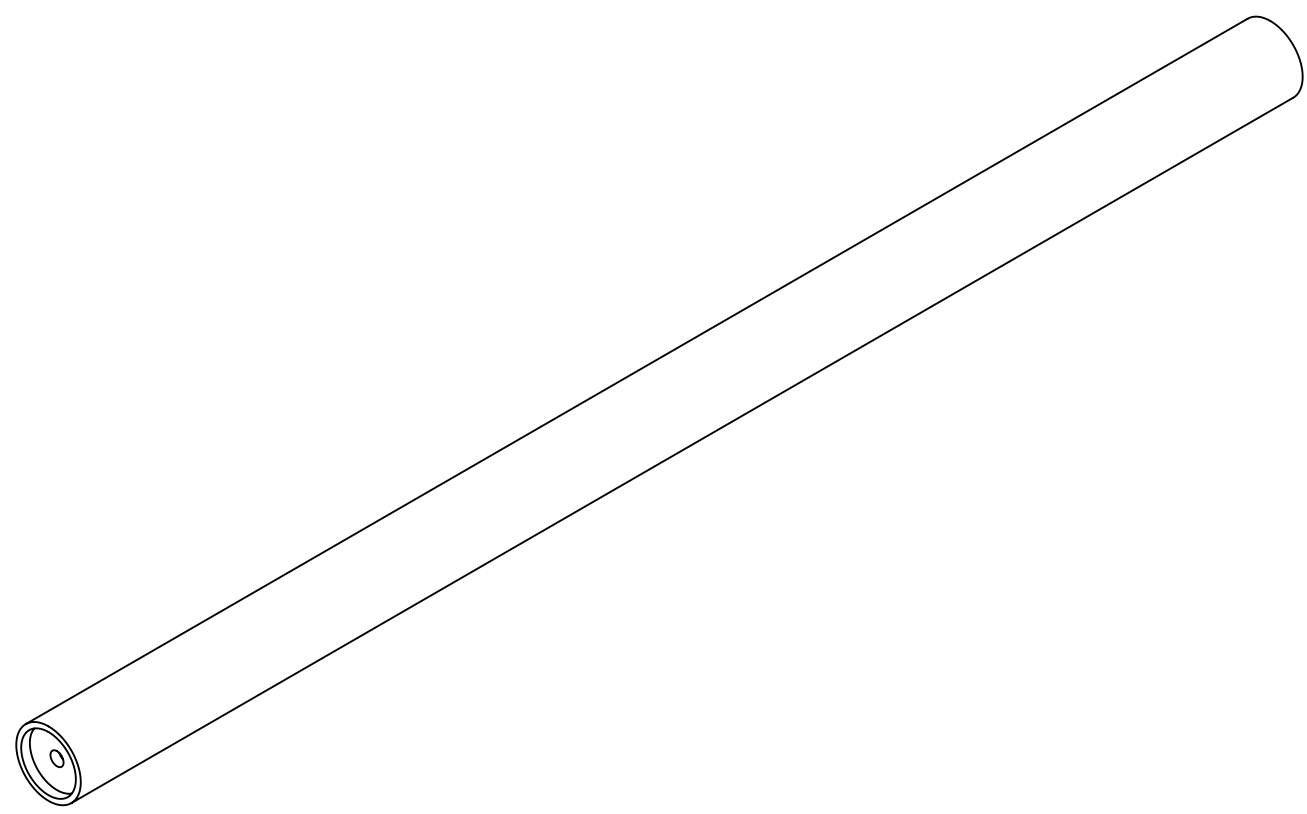


1 2 3 4 5 6 7 8

FTA-1036

D  
C  
B  
A

D  
C  
B  
A



**CHIEF** CHIEF MANUFACTURING INC.  
 MOUNT ORDER NUMBER IS FTA-1036  
 PHONE: 1-800-582-6480

SHEET SCALE = 1:4

THE INFORMATION AND DESIGNS CONTAINED  
 IN THIS DRAWING ARE CONFIDENTIAL AND THE  
 PROPRIETARY PROPERTY OF CHIEF MFG., INC.  
 NEITHER THIS DESIGN NOR ANY INFORMATION  
 CONTAINED IN THIS DRAWING MAY BE  
 REPRODUCED OR DISCLOSED TO OTHERS  
 WITHOUT THE EXPRESS WRITTEN CONSENT OF  
 CHIEF MFG., INC.

		8401 EAGLE CREEK PKY SUITE #700 SAVAGE, MN 55378 PHONE: 952-894-6280 FAX: 877-894-6918
TITLE		<b>CUSTOMER PRINT</b>
SIZE		<b>FTA-1036</b>
DWG. NO.		<b>FTA-1036</b>

1 2 3 4 5 6 7 8