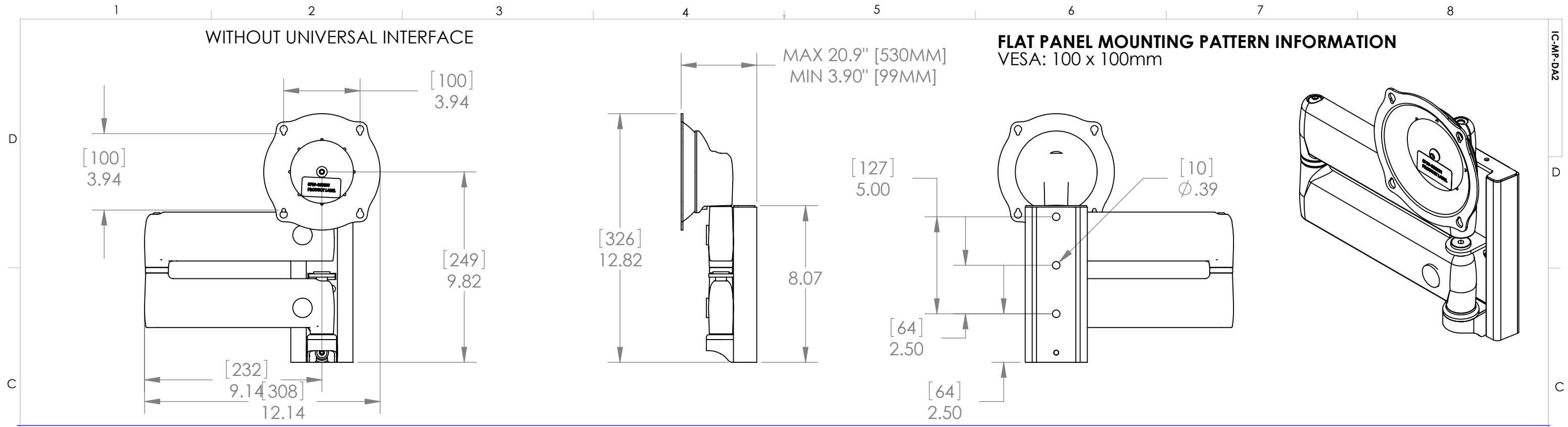


WITHOUT UNIVERSAL INTERFACE

FLAT PANEL MOUNTING PATTERN INFORMATION

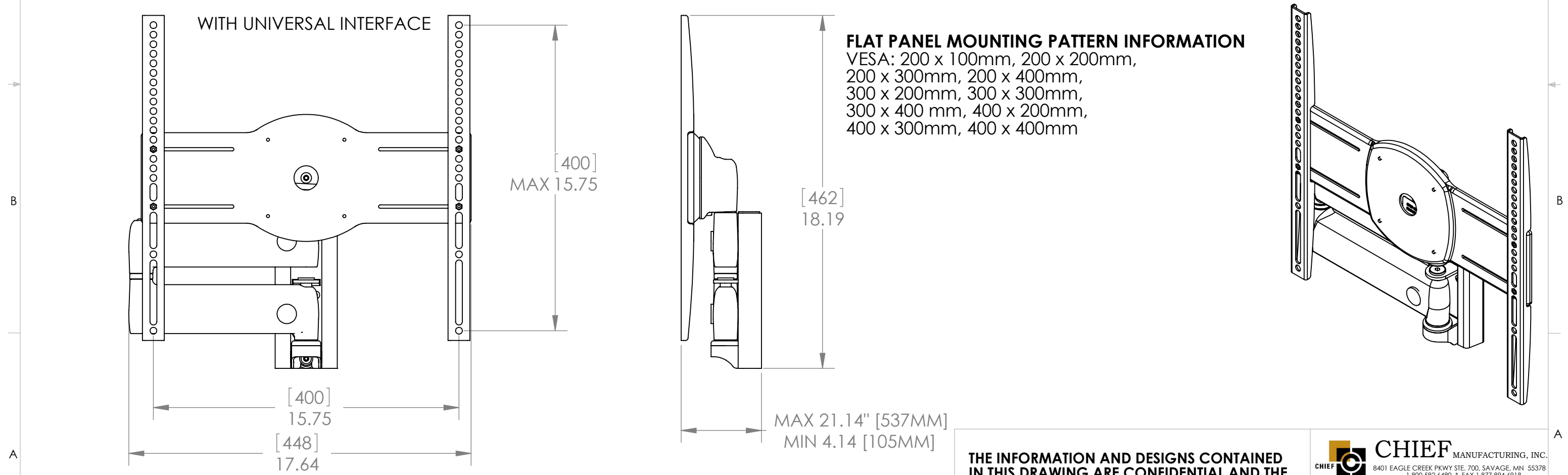
VESA: 100 x 100mm



WITH UNIVERSAL INTERFACE

FLAT PANEL MOUNTING PATTERN INFORMATION

VESA: 200 x 100mm, 200 x 200mm,
200 x 300mm, 200 x 400mm,
300 x 200mm, 300 x 300mm,
300 x 400 mm, 400 x 200mm,
400 x 300mm, 400 x 400mm



CHIEF MANUFACTURING INC.
MOUNT ORDER NUMBER IS IC-MP-DA2
PHONE: 1-800-582-6480

THE INFORMATION AND DESIGNS CONTAINED IN THIS DRAWING ARE CONFIDENTIAL AND THE PROPRIETARY PROPERTY OF CHIEF MFG., INC. NEITHER THIS DESIGN NOR ANY INFORMATION CONTAINED IN THIS DRAWING MAY BE REPRODUCED OR DISCLOSED TO OTHERS WITHOUT THE EXPRESS WRITTEN CONSENT OF CHIEF MFG., INC.

CHIEF MANUFACTURING, INC.
8401 EAGLE CREEK PKWY STE. 700, SAVAGE, MN 55378
1.800.582.6480 * FAX 1.877.894.6918

TITLE
**CUSTOMER PRINT
ASSEMBLY,
IC-MP-DA2**

SIZE DWG. NO.
B IC-MP-DA2