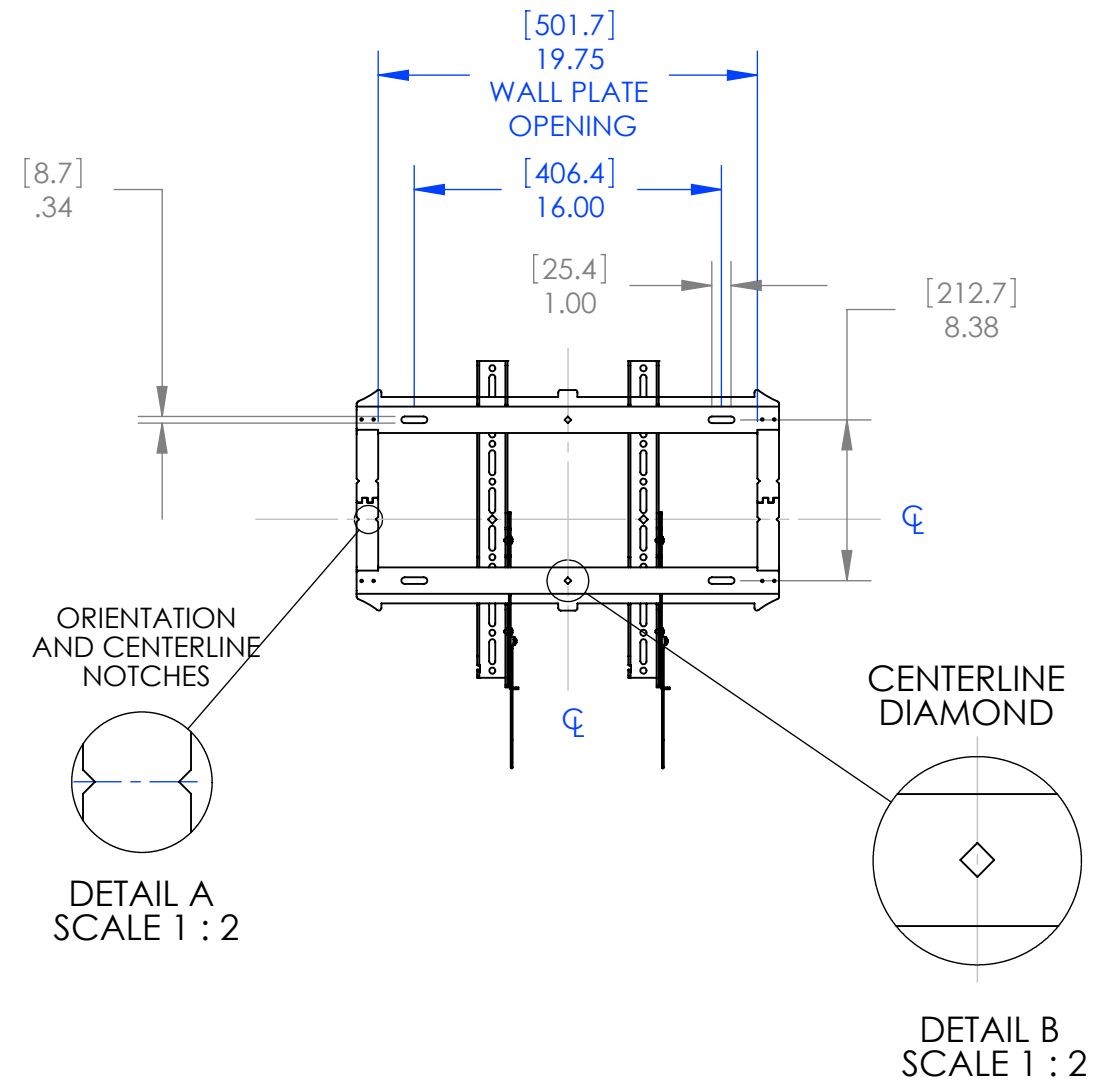
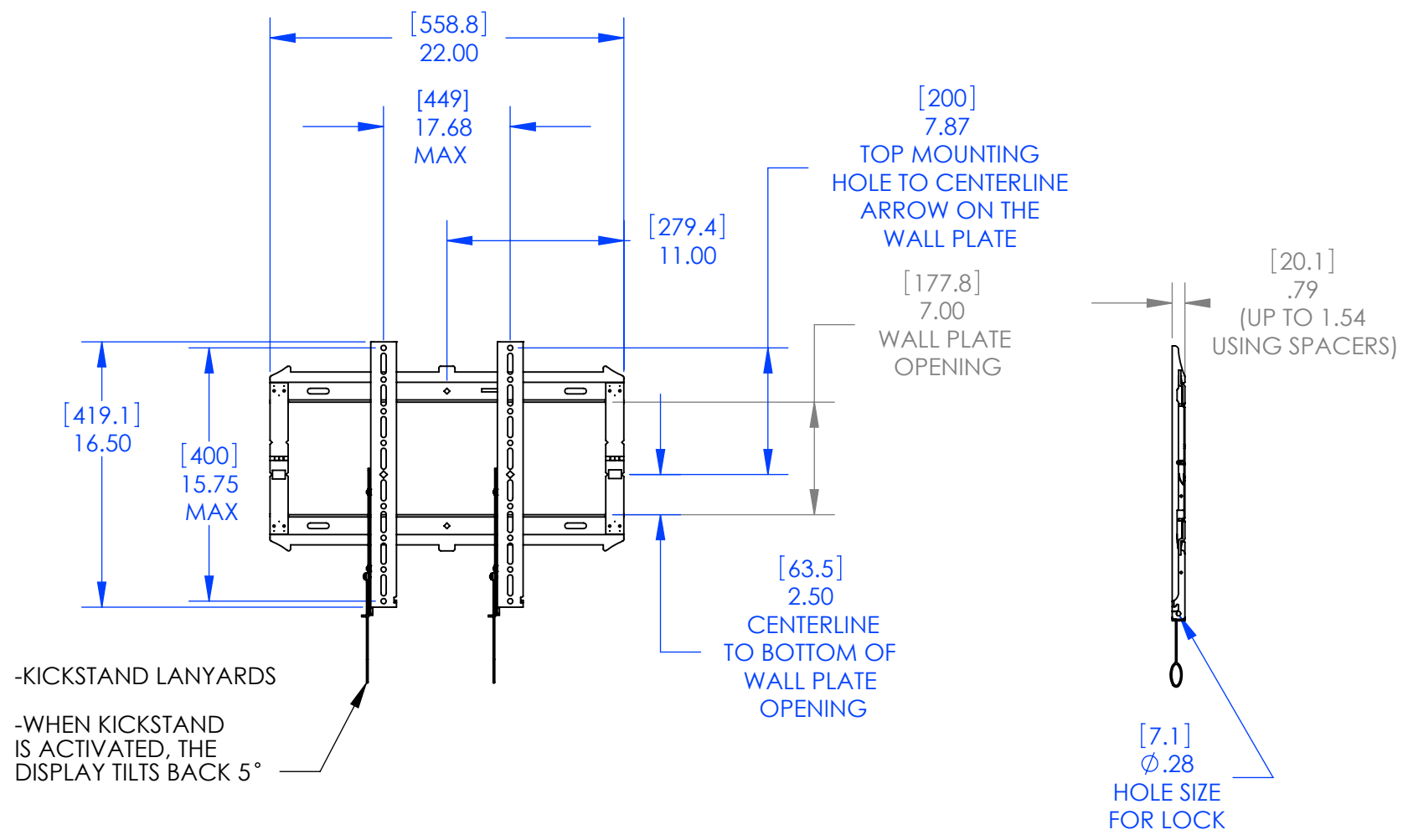


1 2 3 4 5 6 7 8


D
C
B
A

ICMPFM3
D
C
B
A



CHIEF MANUFACTURING INC.
MOUNT ORDER NUMBER IS ICMPFM3
PHONE: 1-800-582-6480

THE INFORMATION AND DESIGNS CONTAINED IN THIS DRAWING ARE CONFIDENTIAL AND THE PROPRIETARY PROPERTY OF CHIEF MFG., INC. NEITHER THIS DESIGN NOR ANY INFORMATION CONTAINED IN THIS DRAWING MAY BE REPRODUCED OR DISCLOSED TO OTHERS WITHOUT THE EXPRESS WRITTEN CONSENT OF CHIEF MFG., INC.

 CHIEF MANUFACTURING, INC. <small>8401 EAGLE CREEK PKWY STE. 700, SAVAGE, MN 55378 1.800.582.6480 * FAX 1.877.894.6918</small>	
TITLE CUSTOMER PRINT MEDIUM RAIL MOUNT ICMPFM3	
SIZE B	DWG. NO. ICMPFM3

1 2 3 4 5 6 7 8