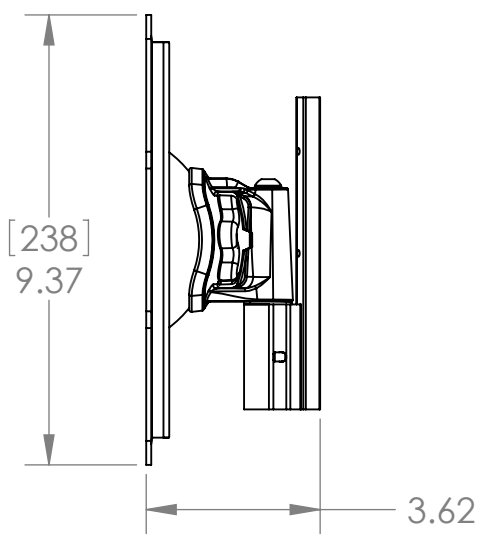
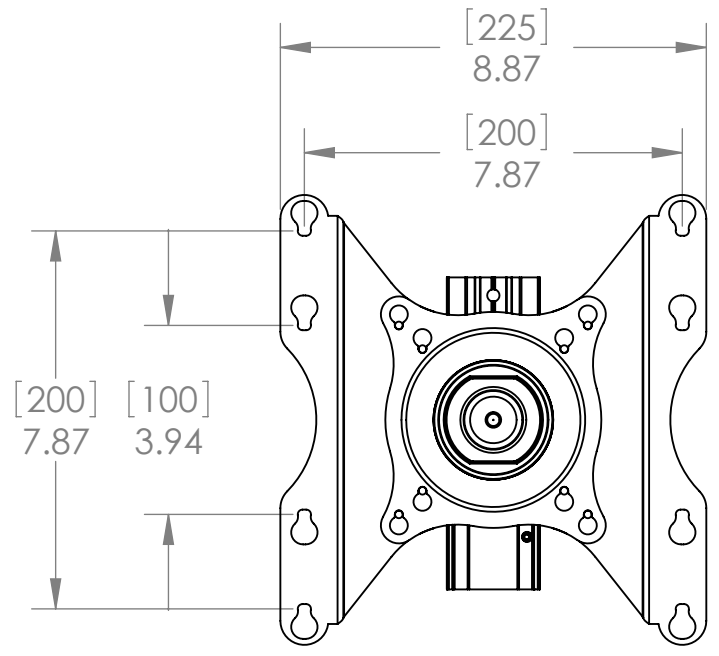
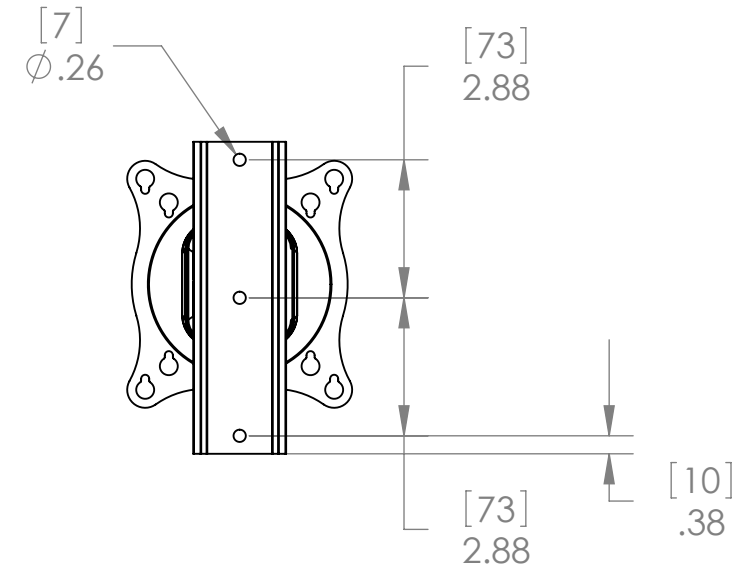
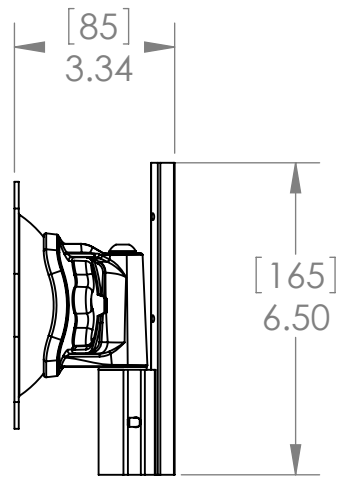
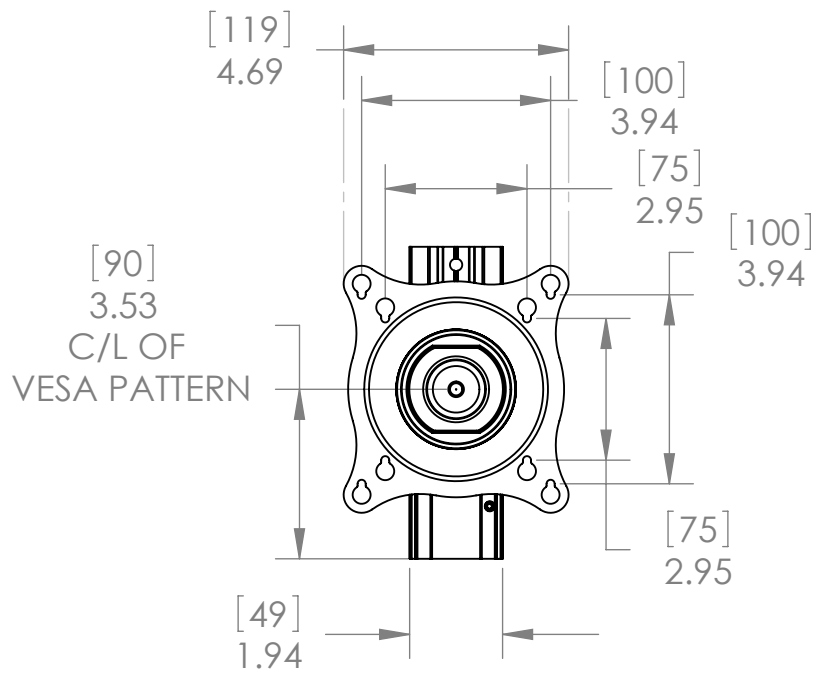


1 2 3 4 5 6 7 8

ICSPT1



**FLAT PANEL MOUNTING PATTERN INFORMATION**  
 VESA: 75 x 75 mm, 100 x 100 mm,  
 200 x 100 mm, 200 x 200 mm



**CHIEF MANUFACTURING INC.**  
**MOUNT ORDER NUMBER IS ICSPT1**  
**PHONE: 1-800-582-6480**

**THE INFORMATION AND DESIGNS CONTAINED  
 IN THIS DRAWING ARE CONFIDENTIAL AND THE  
 PROPRIETARY PROPERTY OF CHIEF MFG., INC.  
 NEITHER THIS DESIGN NOR ANY INFORMATION  
 CONTAINED IN THIS DRAWING MAY BE  
 REPRODUCED OR DISCLOSED TO OTHERS  
 WITHOUT THE EXPRESS WRITTEN CONSENT OF  
 CHIEF MFG., INC.**

**CHIEF** MANUFACTURING, INC.  
 8401 EAGLE CREEK PKWY STE. 700, SAVAGE, MN 55378  
 1.800.582.6480 \* FAX 1.877.894.6918

TITLE  
**ICSPT1**

1 2 3 4 5 6 7 8

A