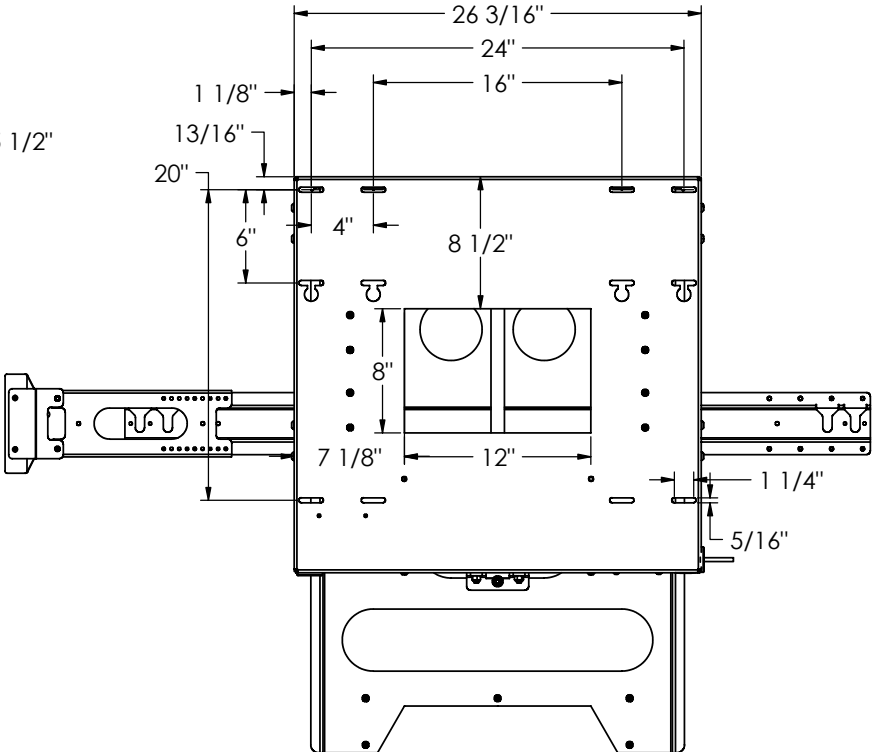
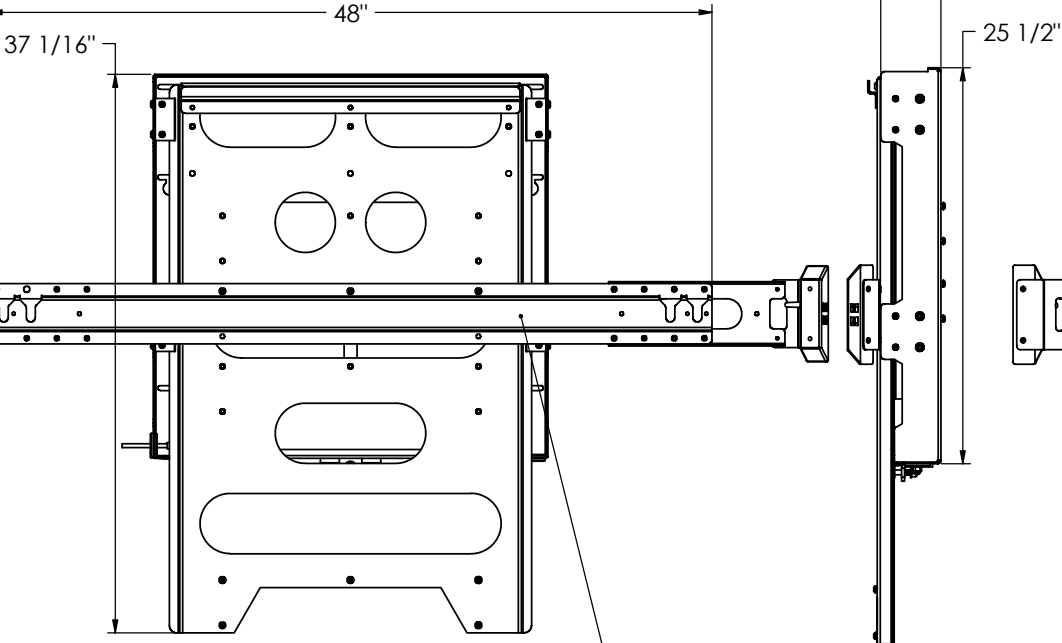


18" TOTAL TRAVEL



**APPROXIMATE HEIGHT ADDED BY
WHITEBOARDS**

3M WHITEBOARD	1 3/16"
NUMONICS 1000	1 7/8"
NUMONICS 2000	9 5/16"
SMARTBOARD 560	3"
SMARTBOARD 580	3"

SWITCH PLATE CAN BE MOVED TO DIFFERENT POSITIONS FOR THE DIFFERENT WHITEBOARDS

THE INFORMATION AND DESIGNS CONTAINED IN THIS DRAWING ARE CONFIDENTIAL AND THE PROPRIETARY PROPERTY OF CHIEF MFG., INC. NEITHER THIS DESIGN NOR ANY INFORMATION CONTAINED IN THIS DRAWING MAY BE REPRODUCED OR DISCLOSED TO OTHERS WITHOUT THE EXPRESS WRITTEN CONSENT OF CHIEF MFG., INC.

CHIEF MANUFACTURING, INC.
12800 HWY 13 S., STE. 500 • SAVAGE, MN 55378
P 952-894-6280 • F 877-894-6918

TITLE
IDW

SIZE DWG. NO. **B** REV.