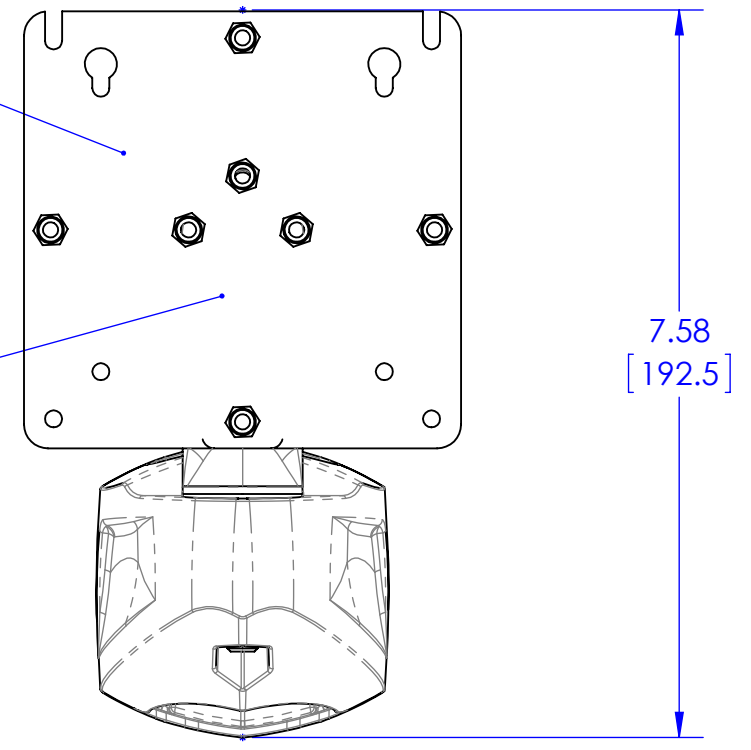


INTERFACE
 ROTATION
 RANGE
 $\pm 90^\circ$

MOUNTING PATTERN
 COMPATIBILITY
 100 X 100 M4
 75 X 75 M4



THE INFORMATION AND DESIGNS CONTAINED IN THIS DRAWING ARE CONFIDENTIAL AND THE PROPRIETARY PROPERTY OF MILESTONE AV TECHNOLOGIES NEITHER THIS DESIGN NOR ANY INFORMATION CONTAINED IN THIS DRAWING MAY BE REPRODUCED OR DISCLOSED TO OTHERS WITHOUT THE EXPRESS WRITTEN CONSENT OF MILESTONE AV TECHNOLOGIES.

CAD GENERATED DRAWING, DO NOT MANUALLY UPDATE.			6436 CITY WEST PKWY EDEN PRAIRIE MN, 55344 PHONE: 866-977-3901 FAX: 877-894-6918		
DRAWN BY	PMS	11/27/2013	DESCRIPTION KOP100		
ENG APPROVAL					
MFG APPROVAL					
QA APPROVAL			MODEL NO. KOP100		
SHEET 1 OF 1		SCALE 1:2	SIZE B	DWG. NO. TECH-000456	REV. 02