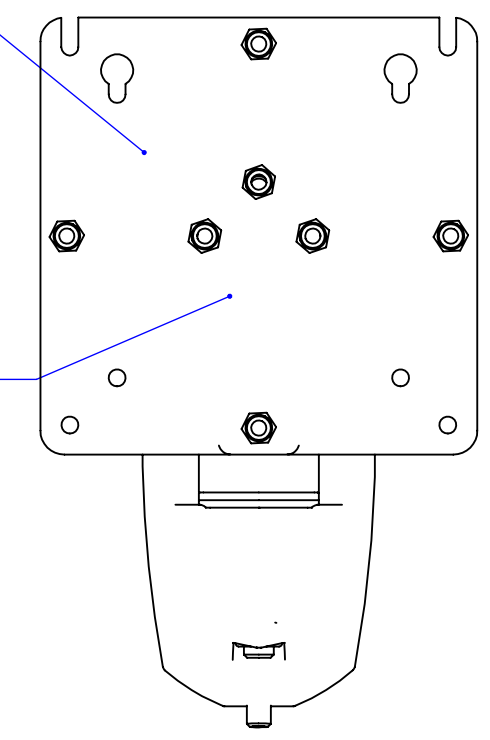


TILT RANGE
75° UP
10° DOWN

INTERFACE
ROTATION
RANGE
±90°

MOUNTING PATTERN
COMPATIBILITY
100 X 100
75 X 75



THE INFORMATION AND DESIGNS CONTAINED IN THIS DRAWING ARE CONFIDENTIAL AND THE PROPRIETARY PROPERTY OF MILESTONE AV TECHNOLOGIES NEITHER THIS DESIGN NOR ANY INFORMATION CONTAINED IN THIS DRAWING MAY BE REPRODUCED OR DISCLOSED TO OTHERS WITHOUT THE EXPRESS WRITTEN CONSENT OF MILESTONE AV TECHNOLOGIES.

CAD GENERATED DRAWING, DO NOT MANUALLY UPDATE.			<p>6436 CITY WEST PKWY EDEN PRAIRIE MN, 55344 PHONE: 866-977-3901 FAX: 877-894-6918</p>
DRAWN BY	PMS	11/27/2013	
ENG APPROVAL			DESCRIPTION
MFG APPROVAL			KOW100
QA APPROVAL			MODEL NO.
SHEET 1 OF 1		SCALE 1:2	SIZE DWG. NO. B TECH-000457
			REV. 01