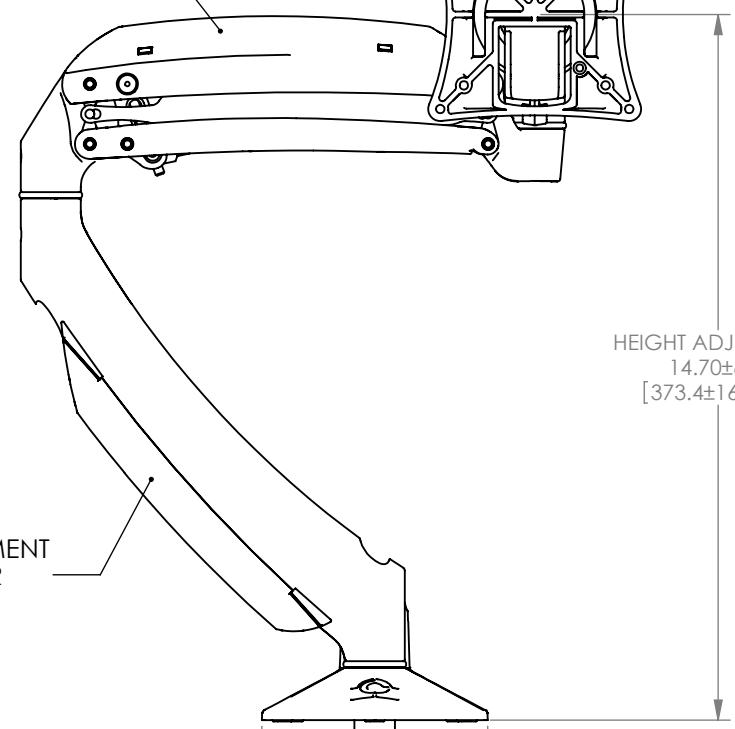


□ 3.94 [100]
□ 2.95 [75]

CABLE MANAGEMENT COVER

±90° INTERFACE ROTATION
QUICK RELEASE VESA INTERFACE



HEIGHT ADJUSTMENT
14.70±6.5 [373.4±165.10]

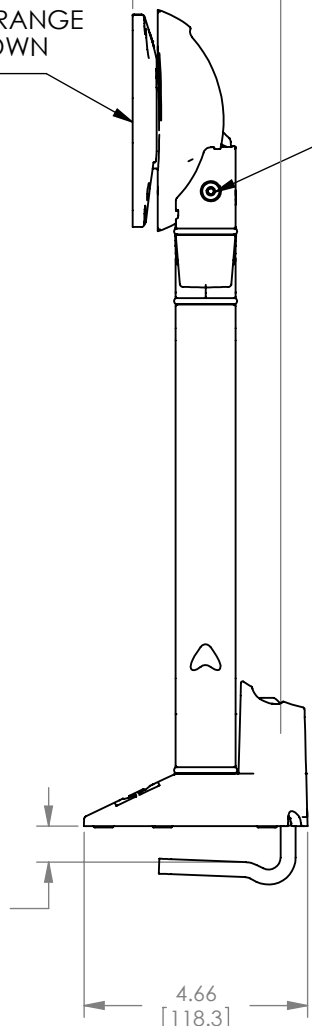
CABLE MANAGEMENT COVER

4.71 [119.5]

PITCH RANGE
10° DOWN
75° UP

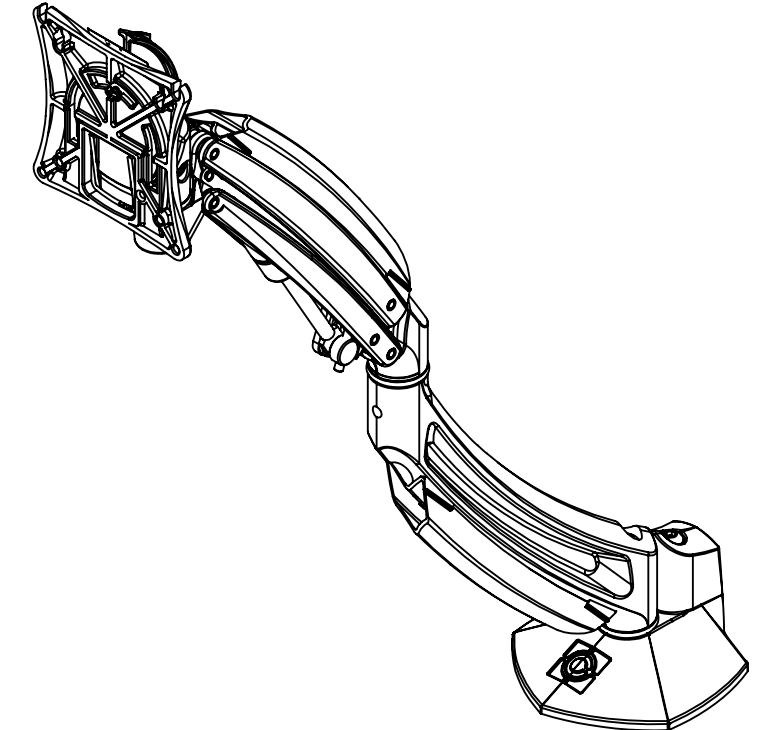
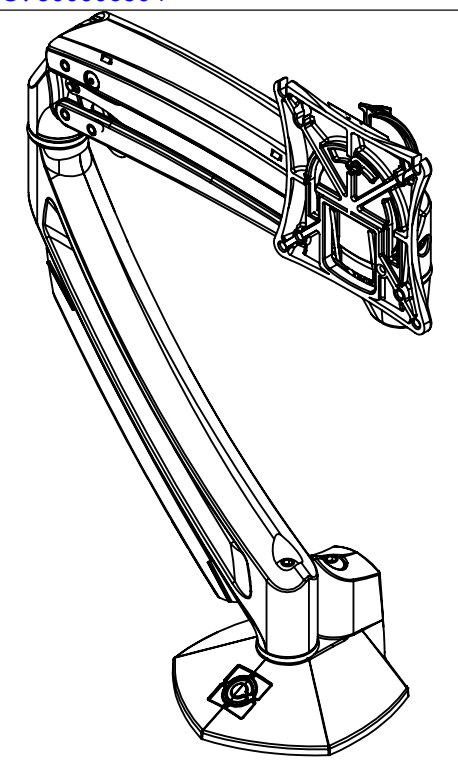
EXTENSION
MIN 2.09 [53.14]
MAX 19.9 [505.5]

PITCH TENSION ADJUSTMENT



DESKTOP THICKNESS RANGE
.75 [19.05]
MAX 2.50 [63.5]

4.66 [118.3]



THE INFORMATION AND DESIGNS CONTAINED IN THIS DRAWING ARE CONFIDENTIAL AND THE PROPRIETARY PROPERTY OF MILESTONE AV TECHNOLOGIES NEITHER THIS DESIGN NOR ANY INFORMATION CONTAINED IN THIS DRAWING MAY BE REPRODUCED OR DISCLOSED TO OTHERS WITHOUT THE EXPRESS WRITTEN CONSENT OF MILESTONE AV TECHNOLOGIES.

CAD GENERATED DRAWING, DO NOT MANUALLY UPDATE.				6436 CITY WEST PKWY EDEN PRAIRIE MN, 55344 PHONE: 888-888-8888 FAX: 999-999-9999	
DRAWN BY	PMS	12/01/2011		DESCRIPTION CUSTOMER PRINT	
ENG APPROVAL			MODEL NO. K1D100		
MFG APPROVAL			SIZE	DWG. NO.	REV.
QA APPROVAL			B	TECH-000088	01
SHEET 1 OF 1			SCALE		
			1:1		