

DYNAMIC LIT ARM
LENGTH RANGE
STRAIGHT = MAX
FULL UP/DOWN = MIN

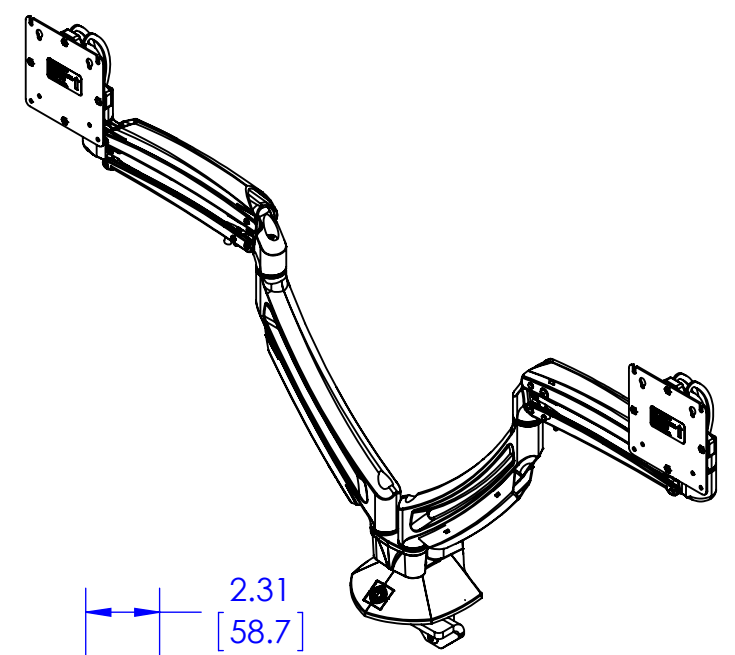
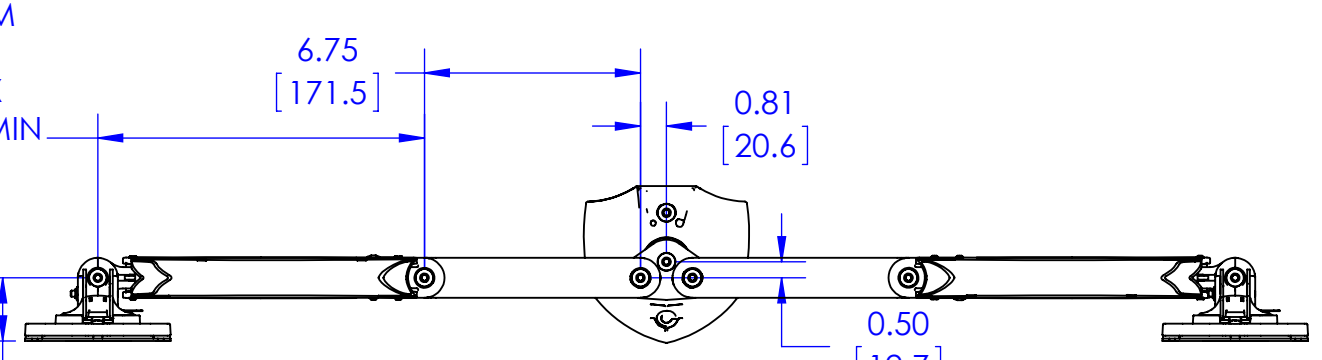
10.21
7.12
[259.3]
[180.9]

6.75
[171.5]

0.81
[20.6]

0.50
[12.7]

1.97
[50.1]



INTERFACE
ROTATION
RANGE
±90°

MOUNTING PATTERN
COMPATIBILITY
100 X 100
75 X 75

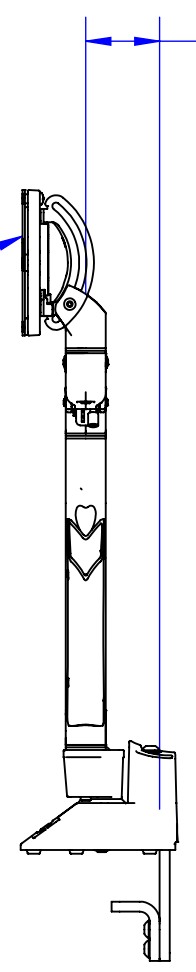
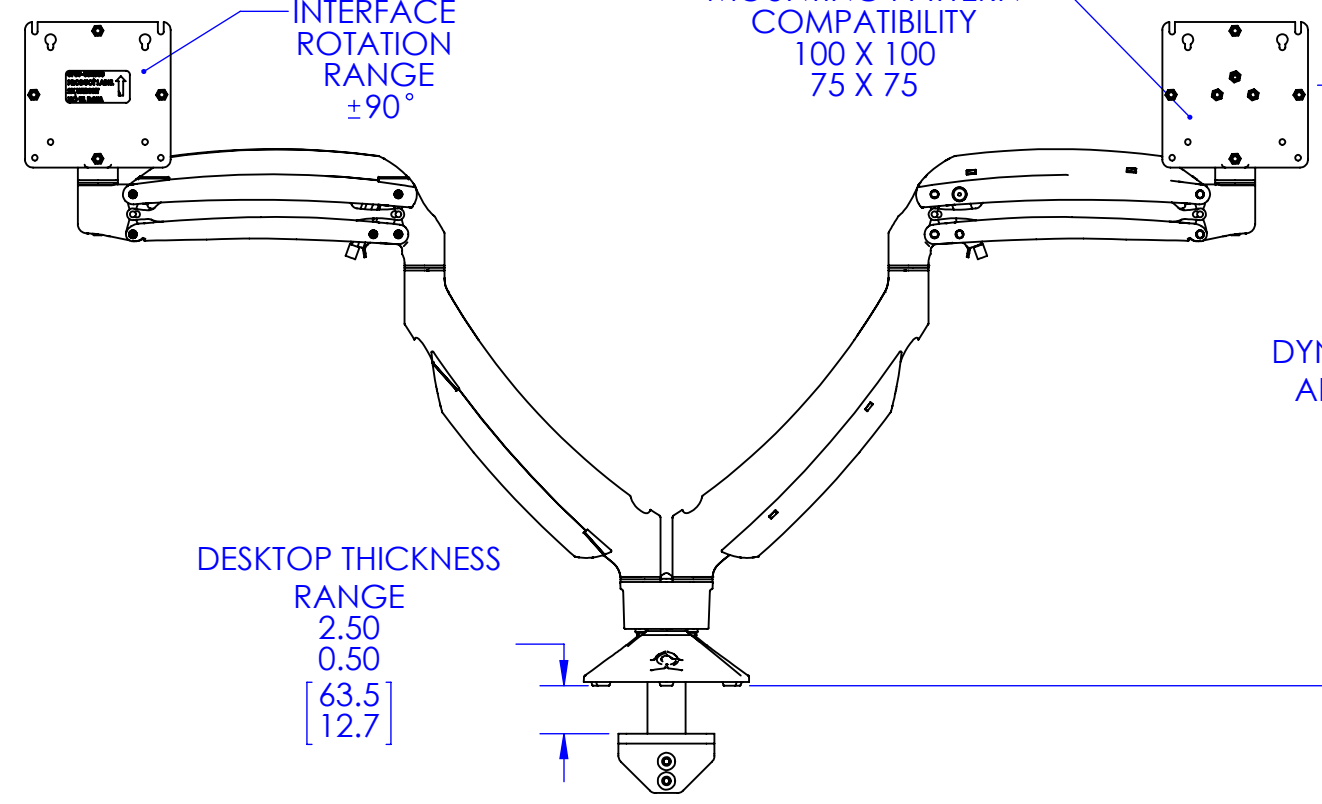
TILT RANGE
75° UP
10° DOWN

2.31
[58.7]

DYNAMIC HEIGHT
ADJUST RANGE

25.26
12.26
[641.6]
[311.4]

DESKTOP THICKNESS
RANGE
2.50
0.50
[63.5]
[12.7]



THE INFORMATION AND DESIGNS CONTAINED IN THIS DRAWING ARE CONFIDENTIAL AND THE PROPRIETARY PROPERTY OF MILESTONE AV TECHNOLOGIES NEITHER THIS DESIGN NOR ANY INFORMATION CONTAINED IN THIS DRAWING MAY BE REPRODUCED OR DISCLOSED TO OTHERS WITHOUT THE EXPRESS WRITTEN CONSENT OF MILESTONE AV TECHNOLOGIES.

CAD GENERATED DRAWING, DO NOT MANUALLY UPDATE.				6436 CITY WEST PKWY EDEN PRAIRIE MN, 55344 PHONE: 866-977-3901 FAX: 877-894-6918	
DRAWN BY	PMS	11/27/2013		DESCRIPTION	
ENG APPROVAL			K1D220		
MFG APPROVAL			MODEL NO.		
QA APPROVAL			K1D220		
SHEET 1 OF 1		SCALE	SIZE	DWG. NO.	REV.
		1:6	B	TECH-000471	02