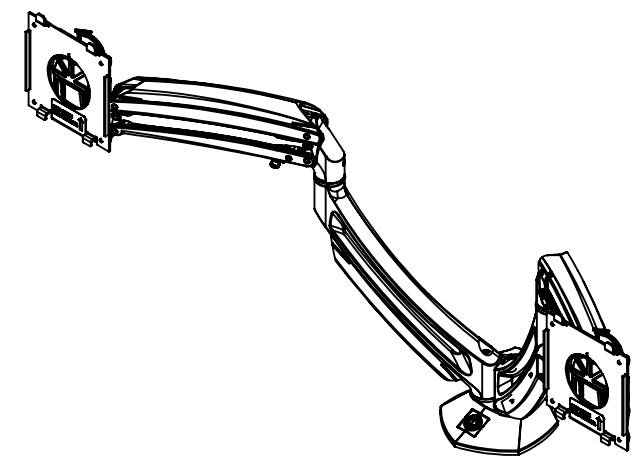
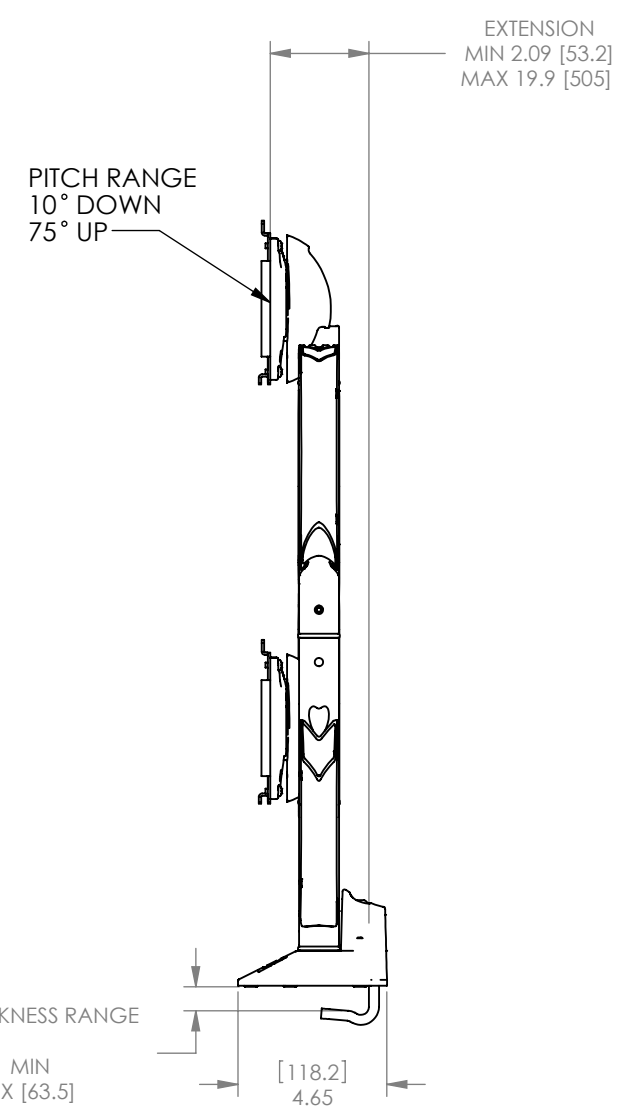
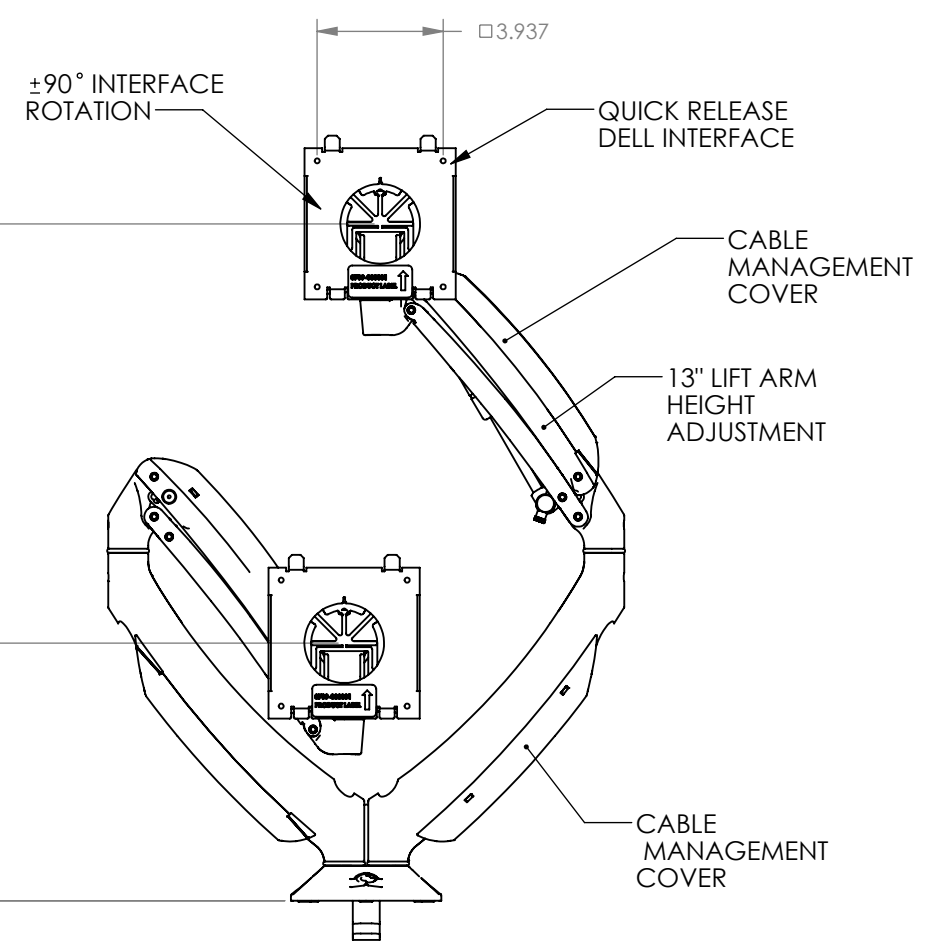
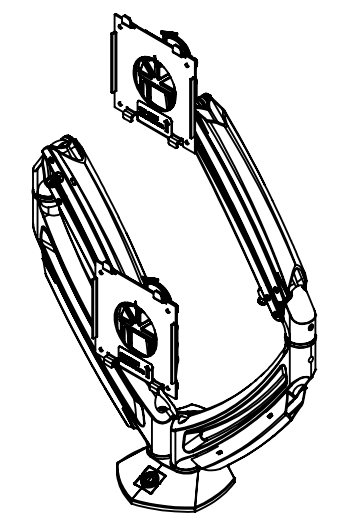


MAXIMUM WIDTH OF 2 PARALLEL, FORWARD-FACING DISPLAYS: 34.92" [887]



THE INFORMATION AND DESIGNS CONTAINED IN THIS DRAWING ARE CONFIDENTIAL AND THE PROPRIETARY PROPERTY OF MILESTONE AV TECHNOLOGIES NEITHER THIS DESIGN NOR ANY INFORMATION CONTAINED IN THIS DRAWING MAY BE REPRODUCED OR DISCLOSED TO OTHERS WITHOUT THE EXPRESS WRITTEN CONSENT OF MILESTONE AV TECHNOLOGIES.

CAD GENERATED DRAWING, DO NOT MANUALLY UPDATE.			6436 CITY WEST PKWY EDEN PRAIRIE MN, 55344 PHONE: 866-977-3901 FAX: 877-894-6918	
DRAWN BY	JN	6/26/2013		
ENG APPROVAL			DESCRIPTION K1D200S W/ DELL QUICK CONNECT BRACKET	
MFG APPROVAL			MODEL NO. K1D2KSA1250S	
QA APPROVAL			SIZE B	DWG. NO. TECH-000428
SHEET 1 OF 1			SCALE 1:6	REV. 00