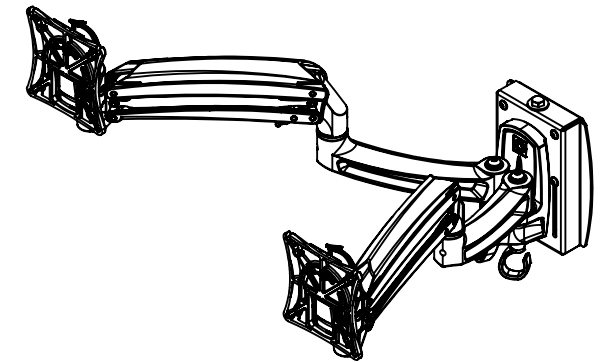
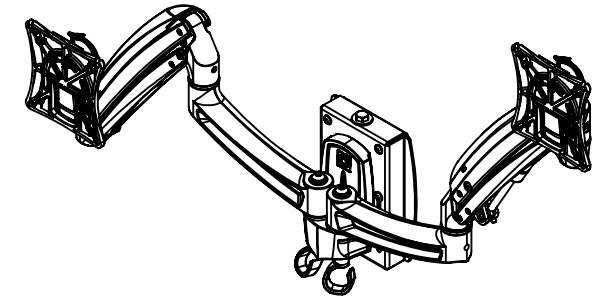
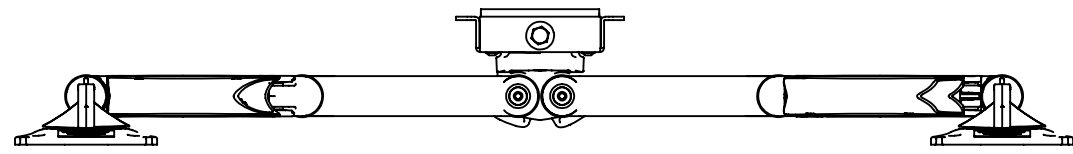


MAXIMUM WIDTH OF 2 PARALLEL, FORWARD-FACING DISPLAYS: 34.92" [887]



QUICK CONNECT VESA INTERFACE  
 ±90° INTERFACE ROTATION  
 CABLE MANAGEMENT COVER

PITCH RANGE  
 10° DOWN  
 75° UP

DEPTH ADJUSTMENT  
 MIN .106  
 MAX .356 [9]

13" LIFT ARM HEIGHT ADJUSTMENT

[3.4]  
 .13

[73.3]  
 MIN 2.88  
 MAX 5.635 [143.1]

CABLE MANAGEMENT CLIP

2.90

16.00

[101.6]  
 4.00  
 MAX 21.15 [537.1]

[2.7]  
 MIN .106  
 MAX .356 [9]

[8.2]  
 .32

[165.1]  
 6.50

THE INFORMATION AND DESIGNS CONTAINED IN THIS DRAWING ARE CONFIDENTIAL AND THE PROPRIETARY PROPERTY OF MILESTONE AV TECHNOLOGIES NEITHER THIS DESIGN NOR ANY INFORMATION CONTAINED IN THIS DRAWING MAY BE REPRODUCED OR DISCLOSED TO OTHERS WITHOUT THE EXPRESS WRITTEN CONSENT OF MILESTONE AV TECHNOLOGIES.

**CHIEF** 8401 EAGLE CREEK PKY  
 SAVAGE, MN 55378  
 PHONE: 952-894-6280  
 FAX: 877-894-6918

DESCRIPTION  
 DUAL MONITOR WITH DYNAMIC ARM HEIGHT ADJUSTMENT AND SLAT WALL MOUNT

**K1S200**