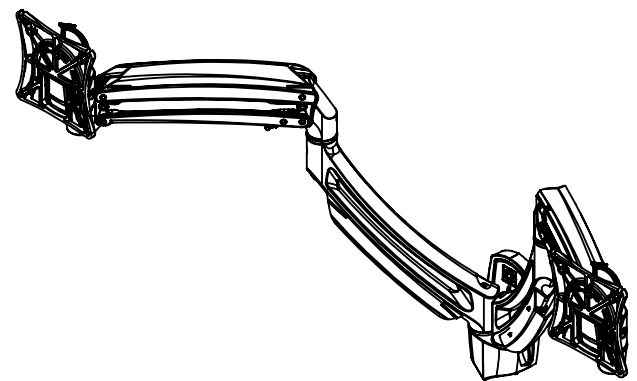
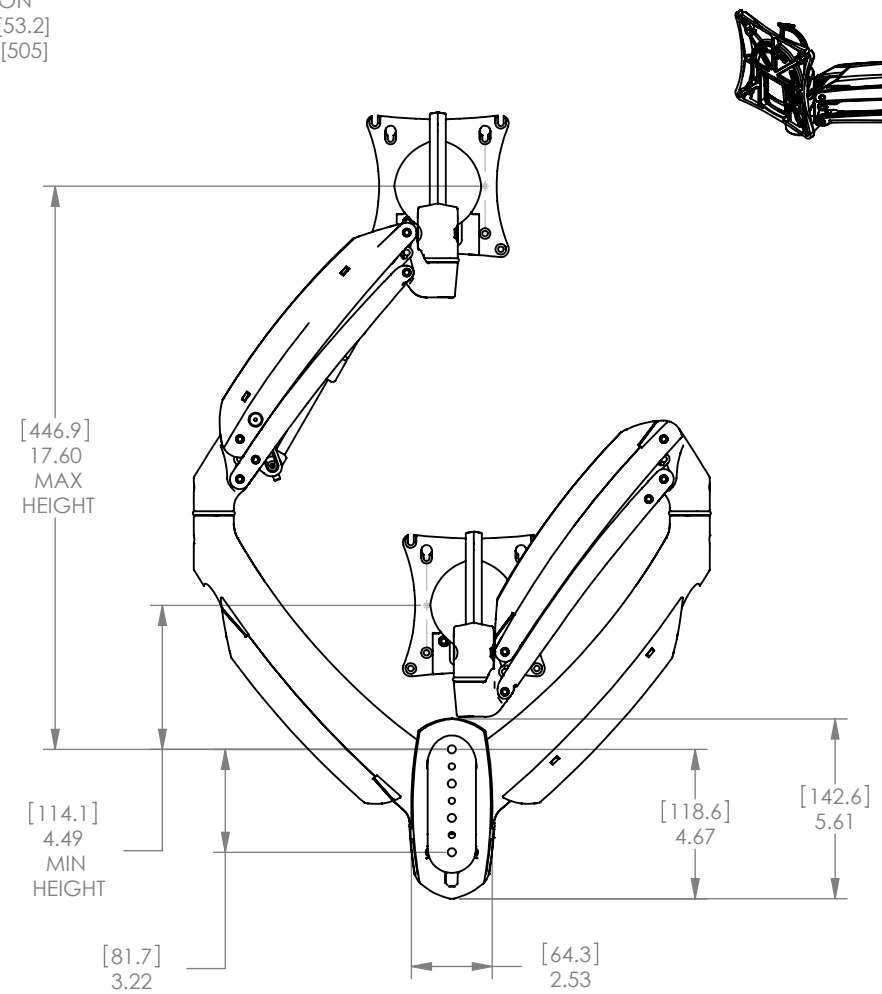
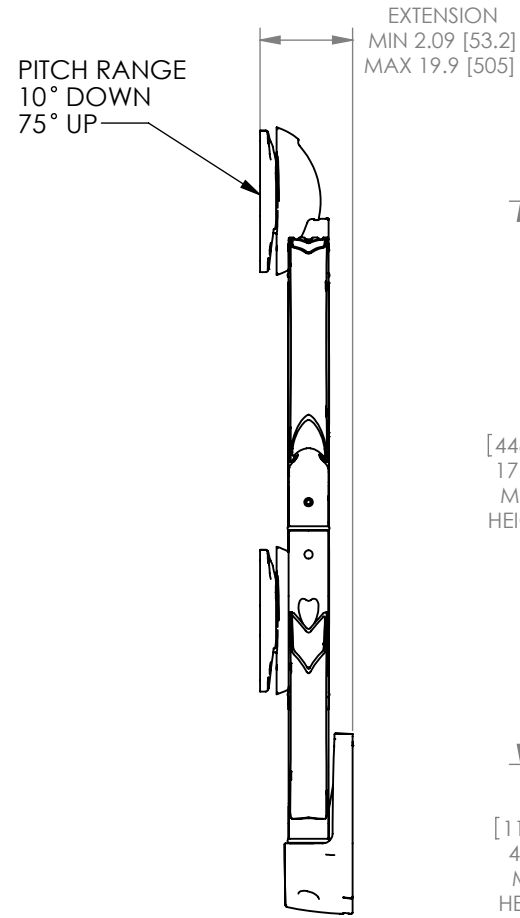
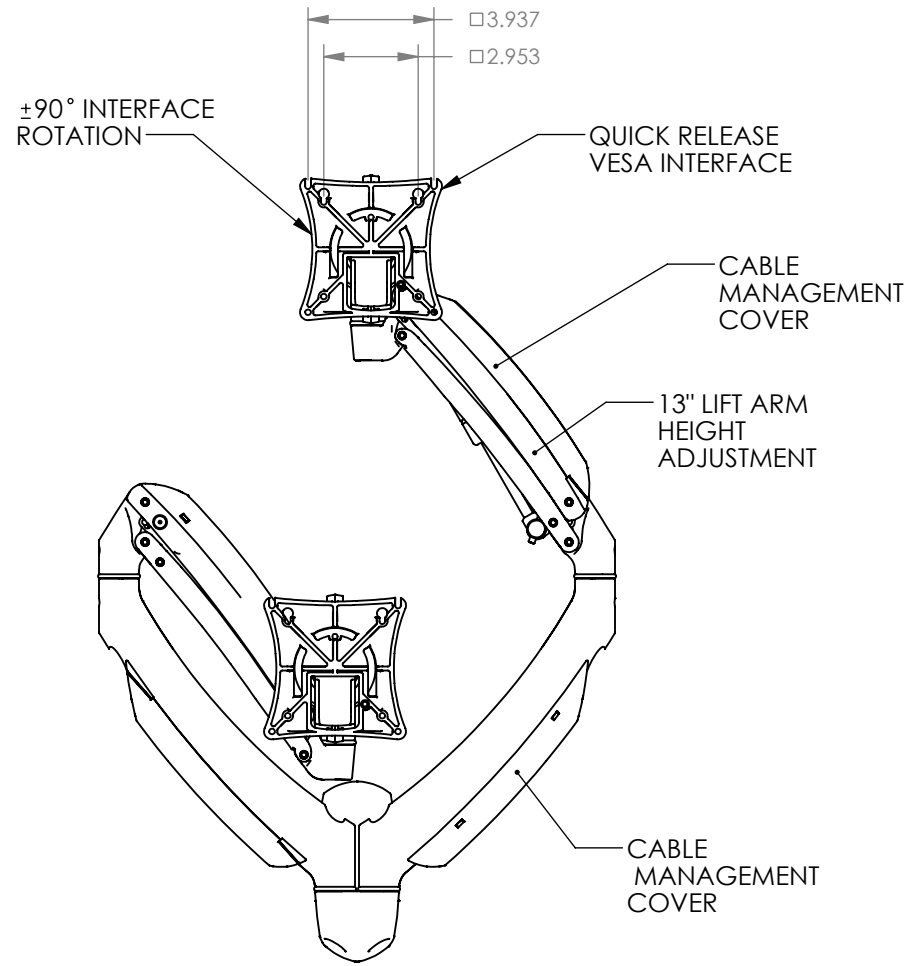
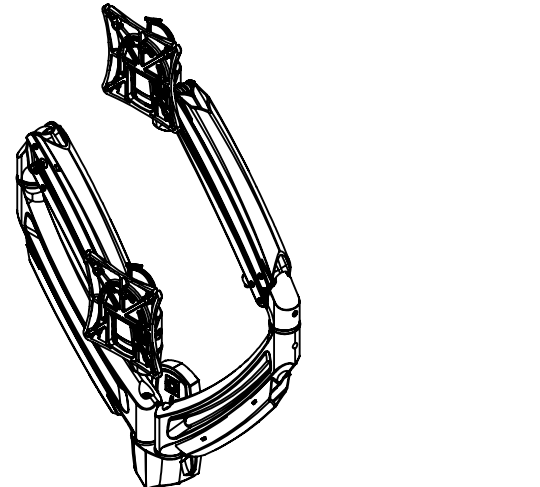
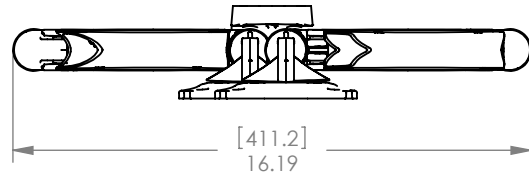


MAXIMUM WIDTH OF 2 PARALLEL, FORWARD-FACING DISPLAYS: 34.92" [887]

D
C
B
A

K1W200
D
C
B
A



THE INFORMATION AND DESIGNS CONTAINED IN THIS DRAWING ARE CONFIDENTIAL AND THE PROPRIETARY PROPERTY OF MILESTONE AV TECHNOLOGIES NEITHER THIS DESIGN NOR ANY INFORMATION CONTAINED IN THIS DRAWING MAY BE REPRODUCED OR DISCLOSED TO OTHERS WITHOUT THE EXPRESS WRITTEN CONSENT OF MILESTONE AV TECHNOLOGIES.

CHIEF 8401 EAGLE CREEK PKY
SAVAGE, MN 55378
PHONE: 952-894-6280
FAX: 877-894-6918

DESCRIPTION: CUSTOMER PRINT,
DUAL MONITOR WITH DYNAMIC ARM
HEIGHT ADJUSTMENT AND WALL MOUNT
K1W200

1 2 3 4 5 6 7 8