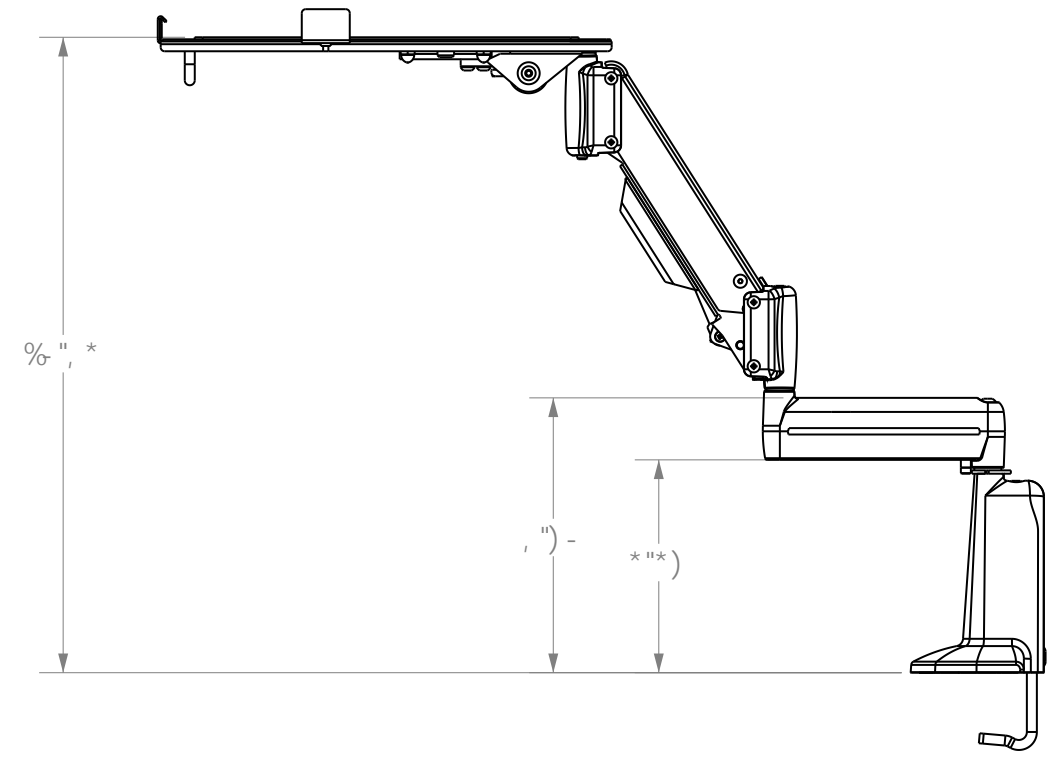
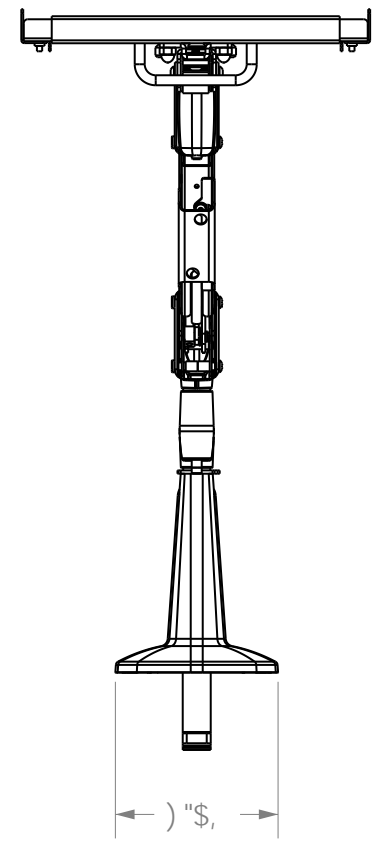
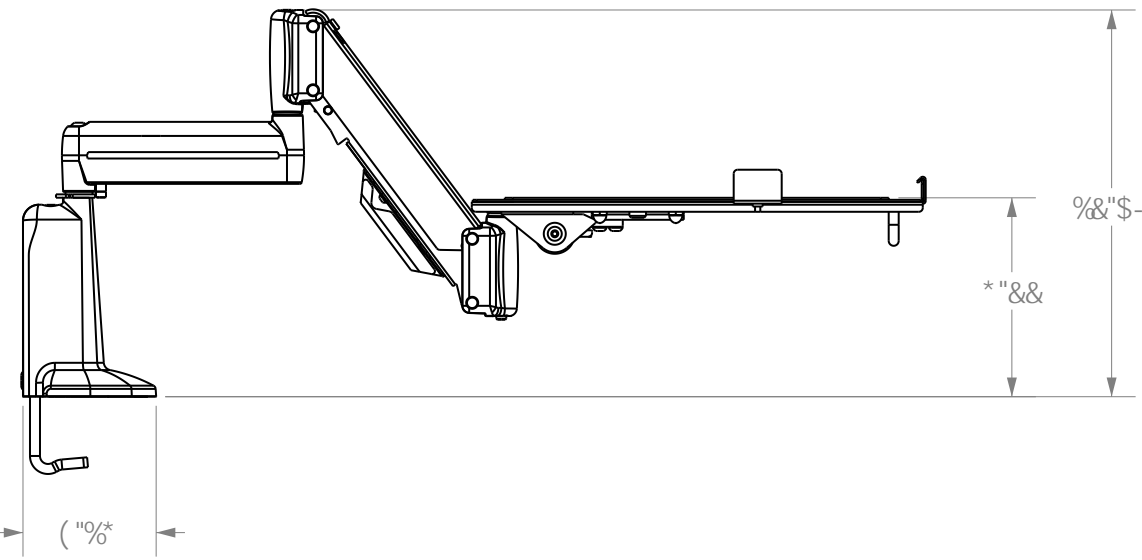
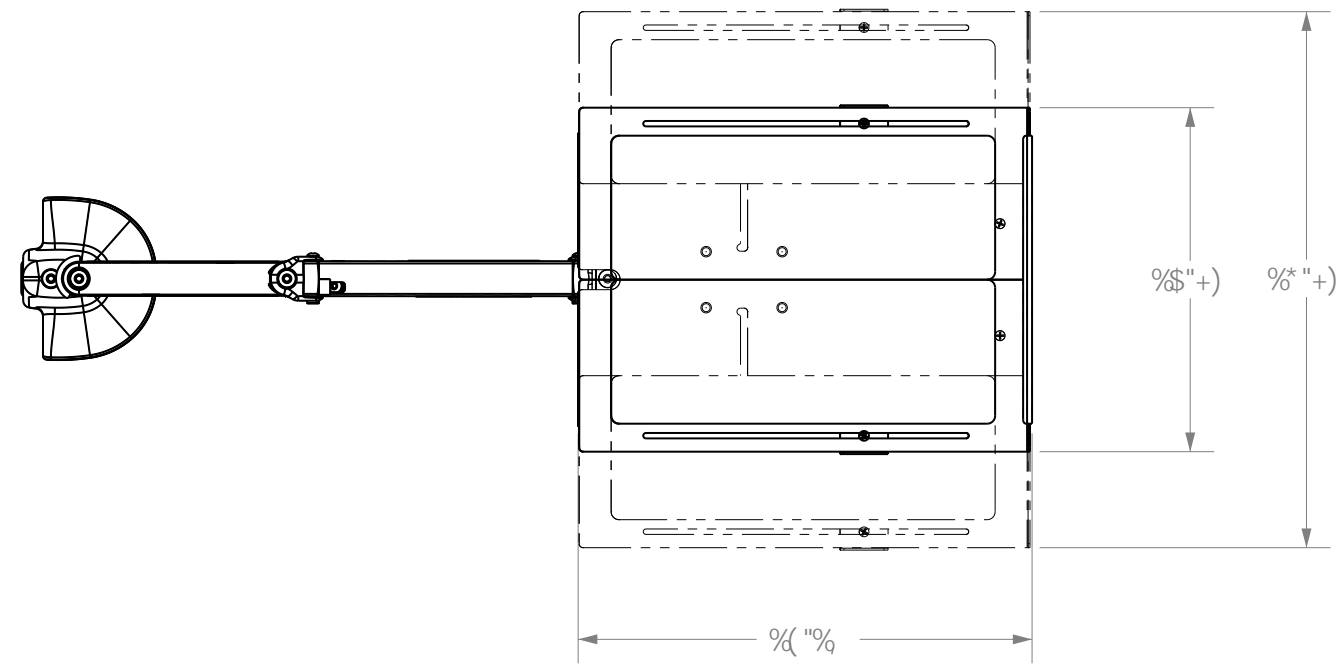


8
7
6
5



7 < 9. A 5BI : 57H FB; 'B7"
A CI BHC F89 BI A 69F 'G?; @%8\$
D < CB9. %, \$ \$!), & * (, \$

G < 99HG7 5 @ '1 % *

H k 9-B: CFA 5HC B' 5B8 '89G; BG7 CBH5-B98
-B' k-G'8F5K -B; '5F97CB: -89BH5@5B8 Hk 9
DFC DF-9-5FMDFC D9FMC: 7 < 9. 'A: ; 'Z-B7"
B9Hk9F' k-G'89G; B' BCF '5BM-B: CFA 5HC B
7CBH5-B98 -B' k-G'8F5K -B; 'A 5M69
F9DFC 8I 798' CF '8-67 @G98 HC' CH'9FG
K HkCI Hk 99LDF9GGK F#H9B 7CB99BHC:
7 < 9. 'A: ; 'Z-B7"



71 GCA 9F DF-BH
?; @%8\$

6 ?; @%8\$

(\$%95: @9 7F99? D?M
G #P: +\$\$
(5J5: 92AB))' +,
D<CB9.-) & .-(1* & \$
:5L.; ++, -(1*-%

8
7
6
5