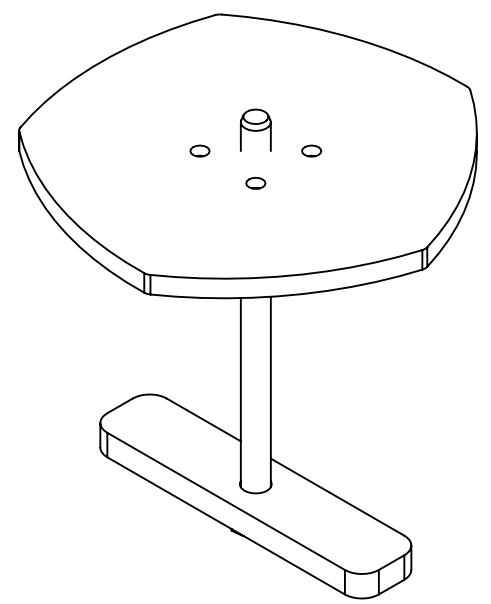
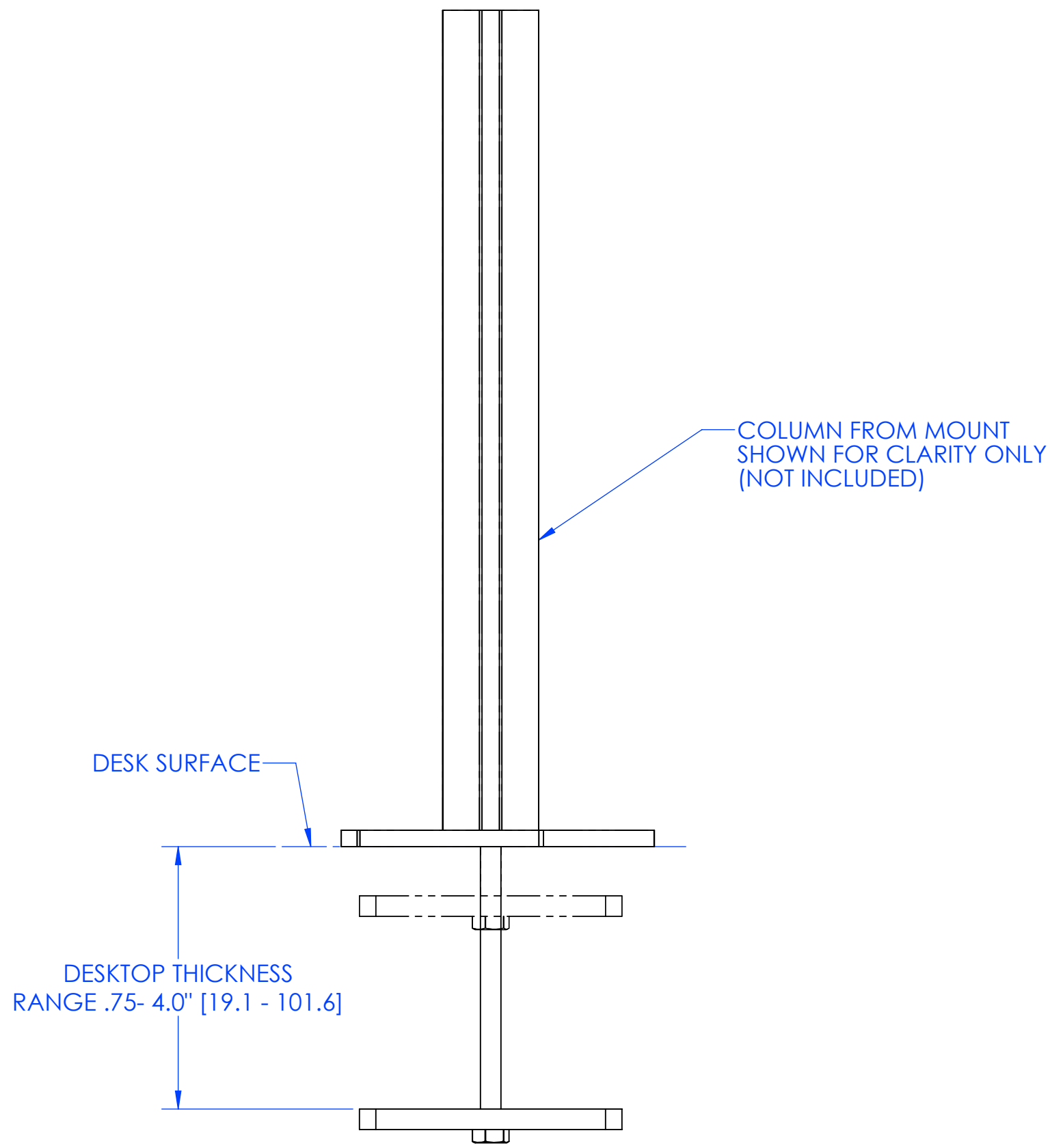


1 2 3 4 5 6 7 8

KRA204

D
C
B
A

D
C
B
A



CHIEF CHIEF MANUFACTURING INC.
 MOUNT ORDER NUMBER IS KRA204
 PHONE: 1-800-582-6480

SHEET SCALE = 1:2

THE INFORMATION AND DESIGNS CONTAINED
 IN THIS DRAWING ARE CONFIDENTIAL AND THE
 PROPRIETARY PROPERTY OF CHIEF MFG., INC.
 NEITHER THIS DESIGN NOR ANY INFORMATION
 CONTAINED IN THIS DRAWING MAY BE
 REPRODUCED OR DISCLOSED TO OTHERS
 WITHOUT THE EXPRESS WRITTEN CONSENT OF
 CHIEF MFG., INC.

CHIEF 8401 EAGLE CREEK PKY
 SUITE #700
 SAVAGE, MN 55378
 PHONE: 952-894-6280
 FAX: 877-894-6918

TITLE
**CUSTOMER PRINT
 KRA204**

SIZE B	DWG. NO. KRA204	REV. 00
------------------	---------------------------	-------------------

1 2 3 4 5 6 7 8