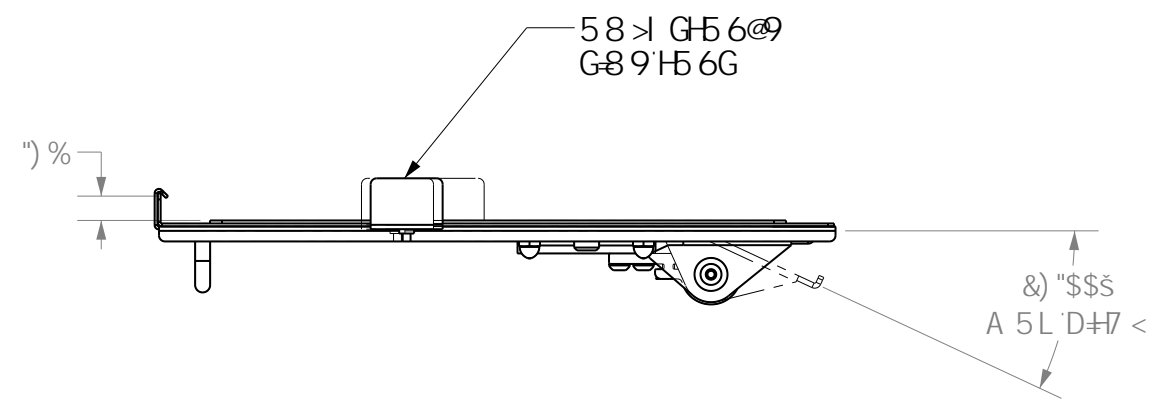
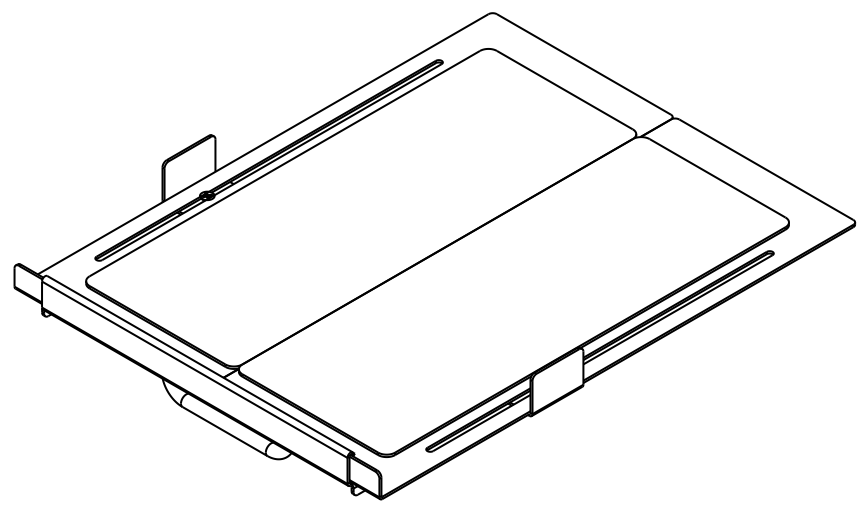
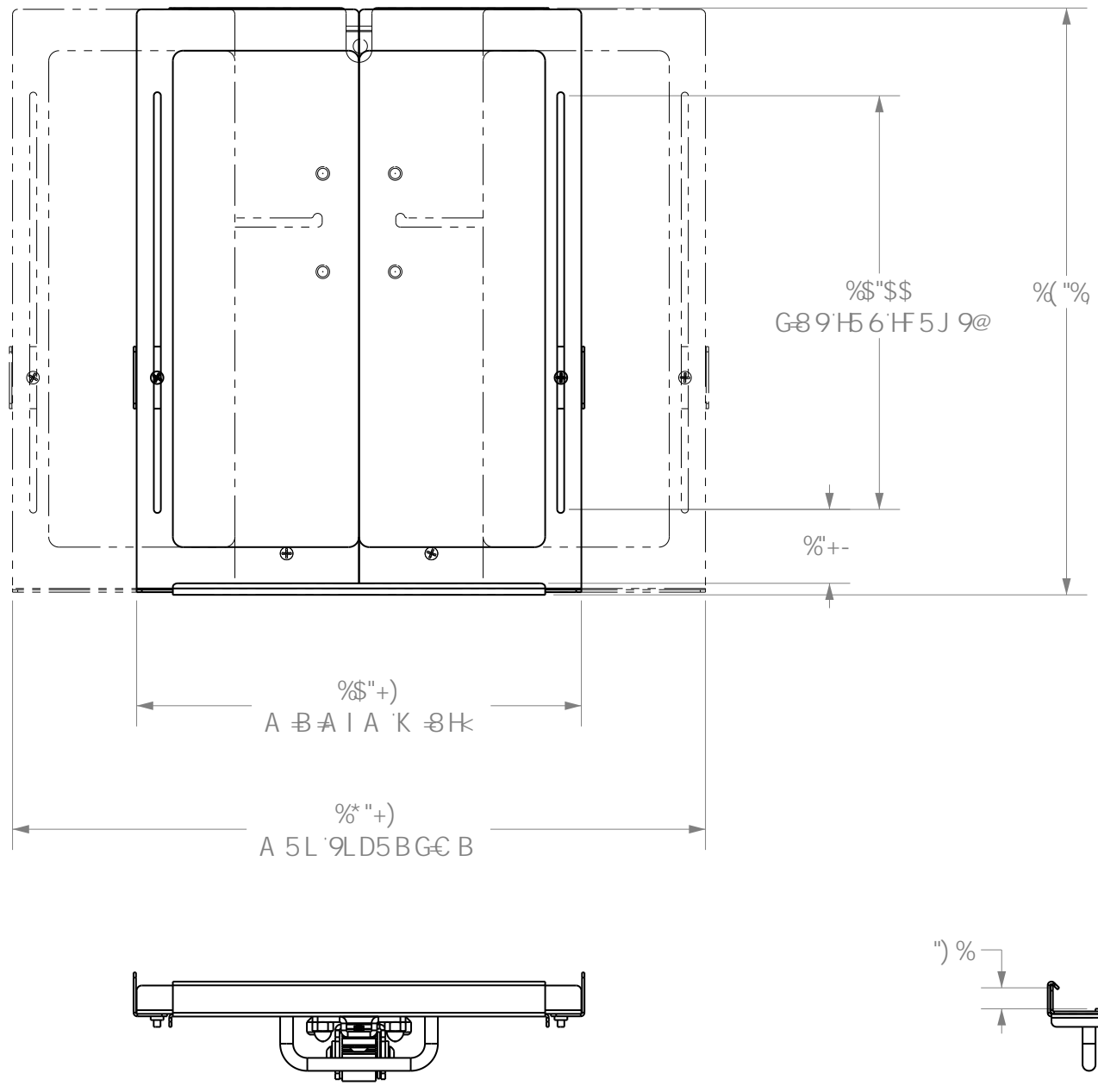


8  
7  
6  
5

8  
7  
6  
5



7 < 9. A5BI : 57HF B; 'B7"  
 A CI BHC F89F BI A 69F 'G: G5!%\$%  
 D < CB9. %, \$ \$!), & \* (, \$

G < 99HG7 5 @ 9'1' % (

H 9-B: CFA 5HCB '5B8'89G- BG7CBH5-B98  
 -B'k-G8F5K -B; '5F97CB: -89BH5@5B8'Hk9  
 DFCDF-9H5FMDFC D9FMC: 7 < 9. 'A: ; 'Z-B7"  
 B9Hk9F'Hk-G89G- B'BCF'5BM-B: CFA 5HCB  
 7CBH5-B98 -B'k-G8F5K -B; 'A5M69  
 F9DFC8I 798'CF'8-67 @G98'HC'CH'9FG  
 K -kCI Hk99LD9GGK F-H9B 7CBG9BHC:  
 7 < 9. 'A: ; 'Z-B7"

**CHIEF** ((\$%95; @97F99? D?M  
 G #P. +\$\$  
 G5J5: 92AB))' +,  
 D<CB9.;) & . -(1\* & \$  
 :5L.; ++, -(1\*-%

H#B9  
**71 GCA 9F DF-BH**  
**: G5!%\$%**

G#P' BK: "BC"  
**6 : G5!%\$%**