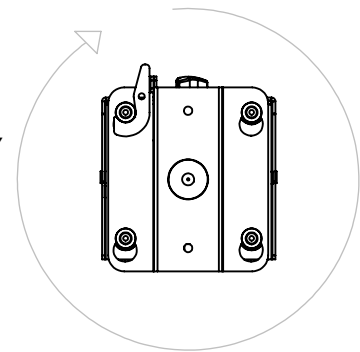
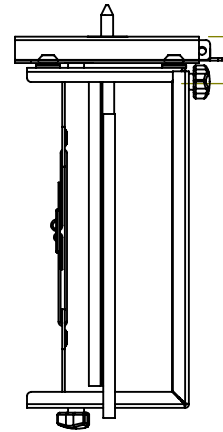
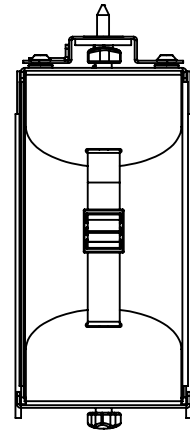


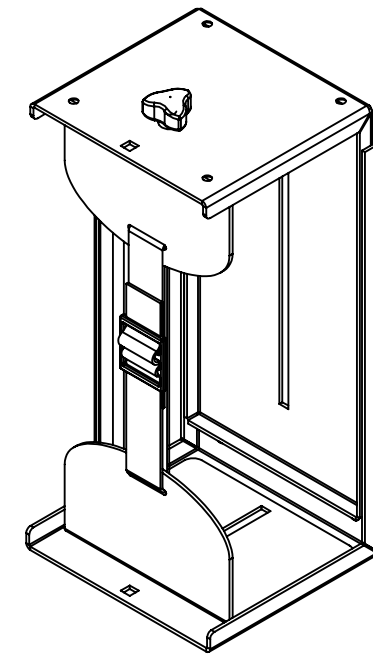
360°  
SWIVEL  
CAPABILITY



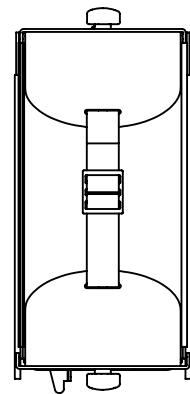
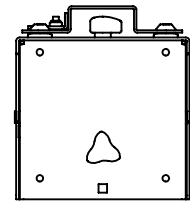
**-UNDER DESK MOUNTED CONFIGURATION**  
**\*ONLY AVAILABLE WITH KSA-1020 PRODUCT**  
**\*\*OPTION NOT AVAILABLE WITH KWT110 ALL IN ONE WORKSTATION**



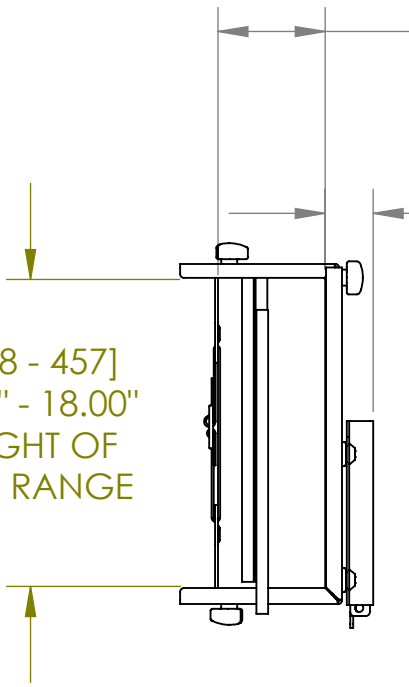
[37]  
1.46  
MOUNTING SURFACE  
TO CPU SURFACE



**WALL MOUNTED CONFIGURATION**



[248 - 457]  
9.75" - 18.00"  
HEIGHT OF  
CPU RANGE

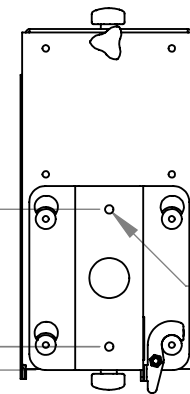


[0 - 191]  
0" - 8.50"  
WIDTH OF  
CPU RANGE

[38]  
1.50  
MOUNTING SURFACE  
TO CPU SURFACE

[109]  
4.29

[19]  
.73



[7]  
Ø.26  
MOUNTING  
HOLES



**CHIEF MANUFACTURING INC.**  
**MOUNT ORDER NUMBER IS KSA1020**  
**PHONE: 1-800-582-6480**

**THE INFORMATION AND DESIGNS CONTAINED  
IN THIS DRAWING ARE CONFIDENTIAL AND THE  
PROPRIETARY PROPERTY OF CHIEF MFG., INC.  
NEITHER THIS DESIGN NOR ANY INFORMATION  
CONTAINED IN THIS DRAWING MAY BE  
REPRODUCED OR DISCLOSED TO OTHERS  
WITHOUT THE EXPRESS WRITTEN CONSENT OF  
CHIEF MFG., INC.**

**CHIEF** MANUFACTURING, INC.  
8401 EAGLE CREEK PKWY STE. 700, SAVAGE, MN 55378  
1.800.582.6480 \* FAX 1.877.894.6918

TITLE  
**CUSTOMER PRINT  
ASSEMBLY,  
CPU MOUNT  
KSA1020**

SIZE DWG. NO.  
**B KSA1020**