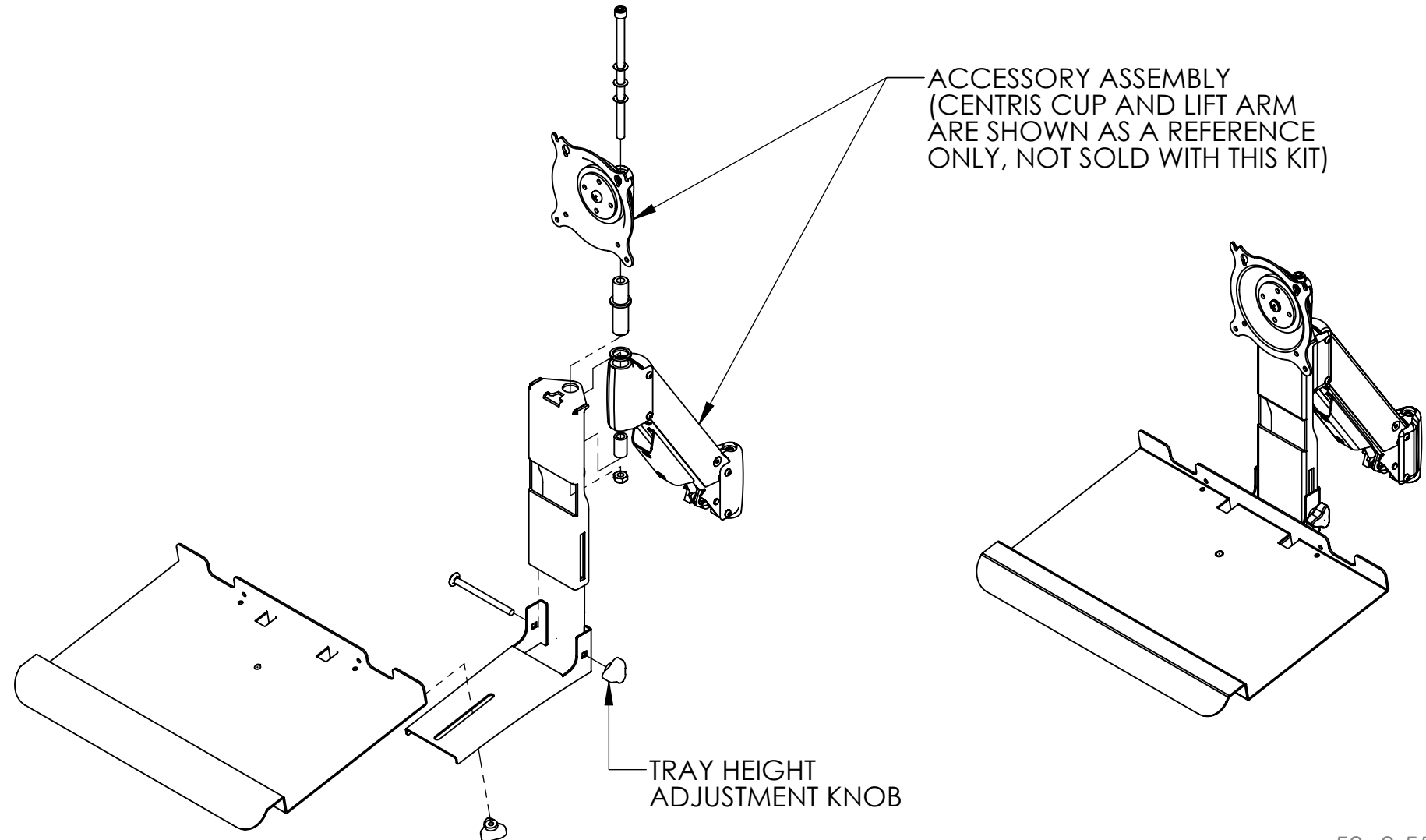


1 2 3 4 5 6 7 8

FSA-1021

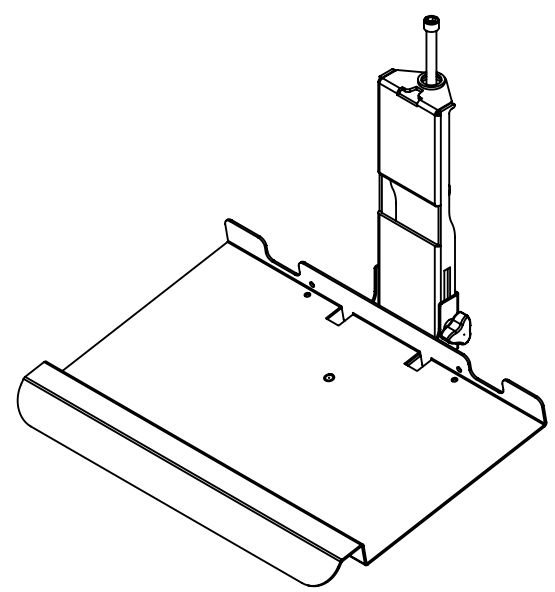
D
C
B
A



ACCESSORY ASSEMBLY
(CENTRIS CUP AND LIFT ARM
ARE SHOWN AS A REFERENCE
ONLY, NOT SOLD WITH THIS KIT)

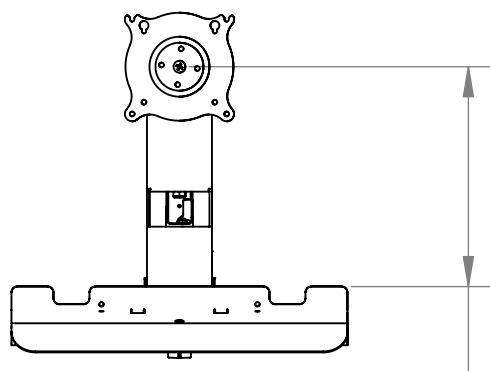
TRAY HEIGHT
ADJUSTMENT KNOB

TRAY DEPTH
ADJUSTMENT KNOB



FSA1021 KIT

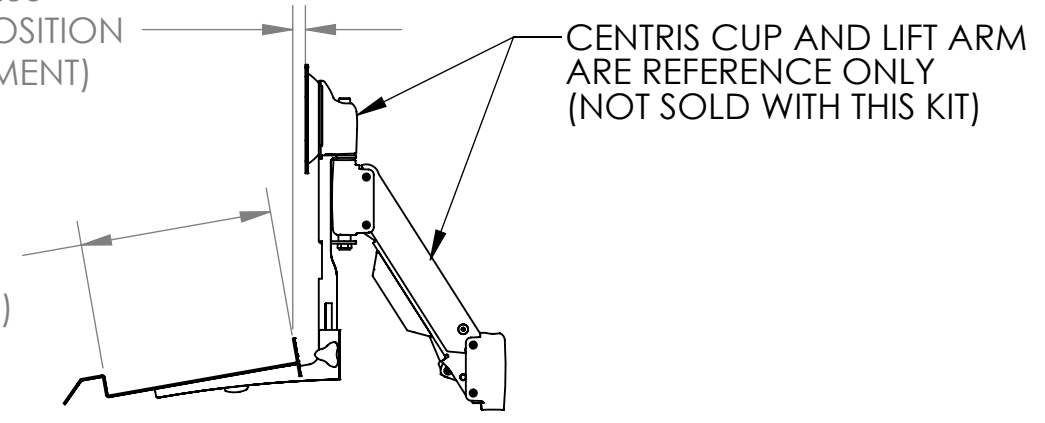
D
C
B
A



7.16 - 9.16
(2" VERTICAL ADJUSTMENT
FOR KEYBOARD TRAY)

.53- 3.55
(3" TRAY POSITION
ADJUSTMENT)

8.00
(KEYBOARD DEPTH)



CENTRIS CUP AND LIFT ARM
ARE REFERENCE ONLY
(NOT SOLD WITH THIS KIT)



CHIEF MANUFACTURING INC.
MOUNT ORDER NUMBER IS FSA-1021
PHONE: 1-800-582-6480

THE INFORMATION AND DESIGNS CONTAINED
IN THIS DRAWING ARE CONFIDENTIAL AND THE
PROPRIETARY PROPERTY OF CHIEF MFG., INC.
NEITHER THIS DESIGN NOR ANY INFORMATION
CONTAINED IN THIS DRAWING MAY BE
REPRODUCED OR DISCLOSED TO OTHERS
WITHOUT THE EXPRESS WRITTEN CONSENT OF
CHIEF MFG., INC.



TITLE
CUSTOMER PRINT
ASSEMBLY, KEYBOARD TRAY
ACCESSORY
KSA-1021

SIZE | DWG. NO. |
B | KSA-1021

1 2 3 4 5 6 7 8