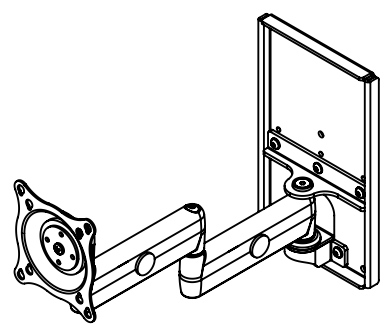


NOTE: CUSTOM INTERAFCE BRACKET NOT SHOWN. THE CUSTOM INTERFACE BRACKET NEEDED FOR YOUR DISPLAY WILL ADD BETWEEN 1/2" AND 2" IN DEPTH AND MAY AFFECT LOCATION OF DISPLAY ON THE MOUNT.

SEE FSB-XXXX DRAWING ALSO.



CHIEF MANUFACTURING INC.  
MOUNT ORDER NUMBER IS KWDSK  
PHONE: 1-800-582-6480

THE INFORMATION AND DESIGNS CONTAINED IN THIS DRAWING ARE CONFIDENTIAL AND THE PROPRIETARY PROPERTY OF CHIEF MFG., INC. NEITHER THIS DESIGN NOR ANY INFORMATION CONTAINED IN THIS DRAWING MAY BE REPRODUCED OR DISCLOSED TO OTHERS WITHOUT THE EXPRESS WRITTEN CONSENT OF CHIEF MFG., INC.

**CHIEF** MANUFACTURING, INC.  
8401 EAGLE CREEK PKWY STE. 700, SAVAGE, MN 55378  
1.800.582.6480 \* FAX 1.877.894.6918

TITLE  
**CUSTOMER PRINT  
ASSEMBLY, DUAL ARM, STEEL STUD  
KWDSK**

SIZE DWG. NO.  
**B KWDSK**