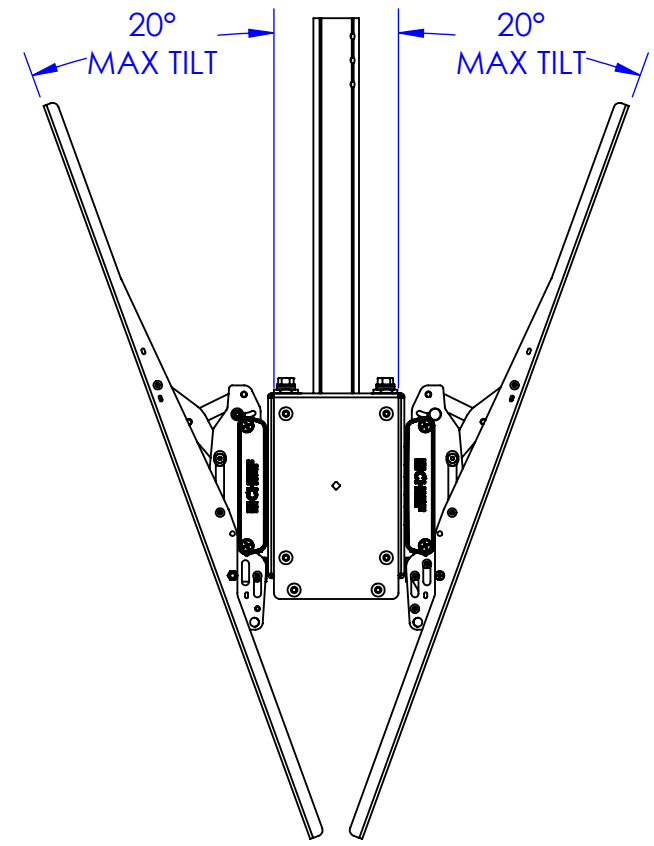
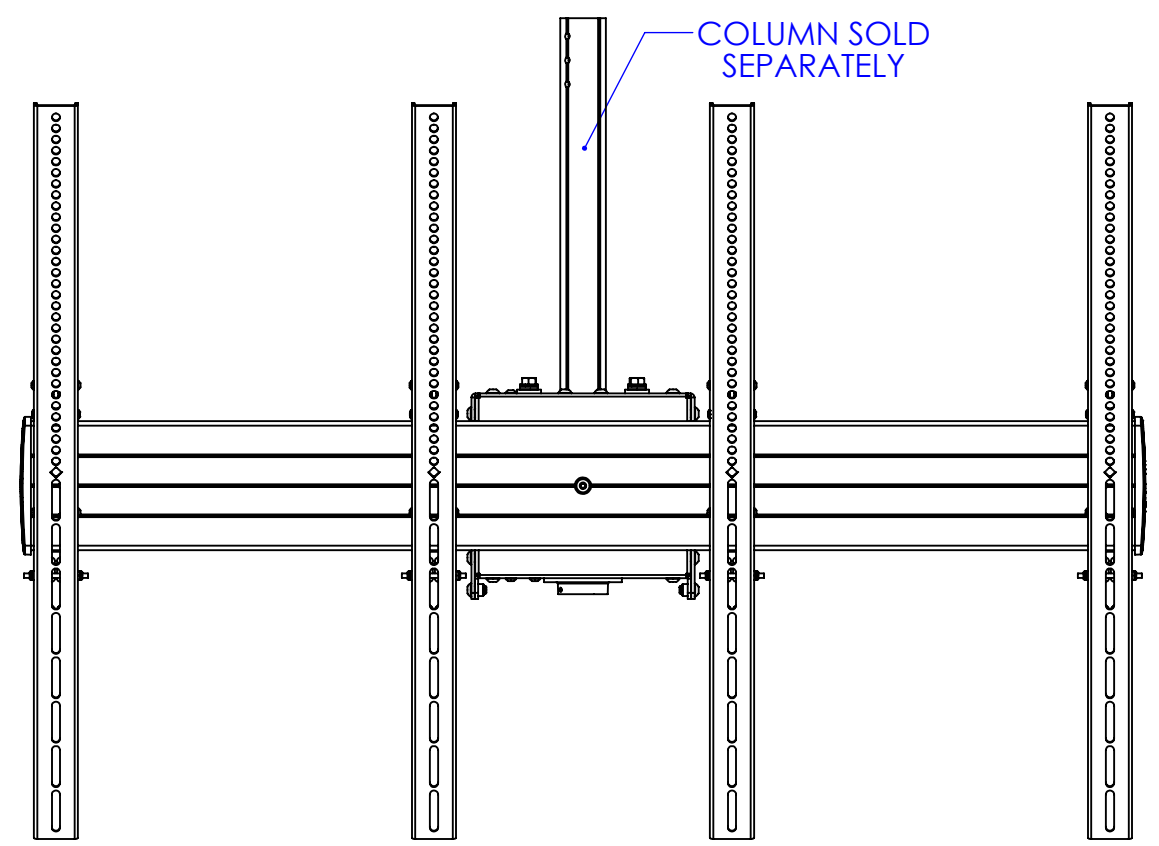
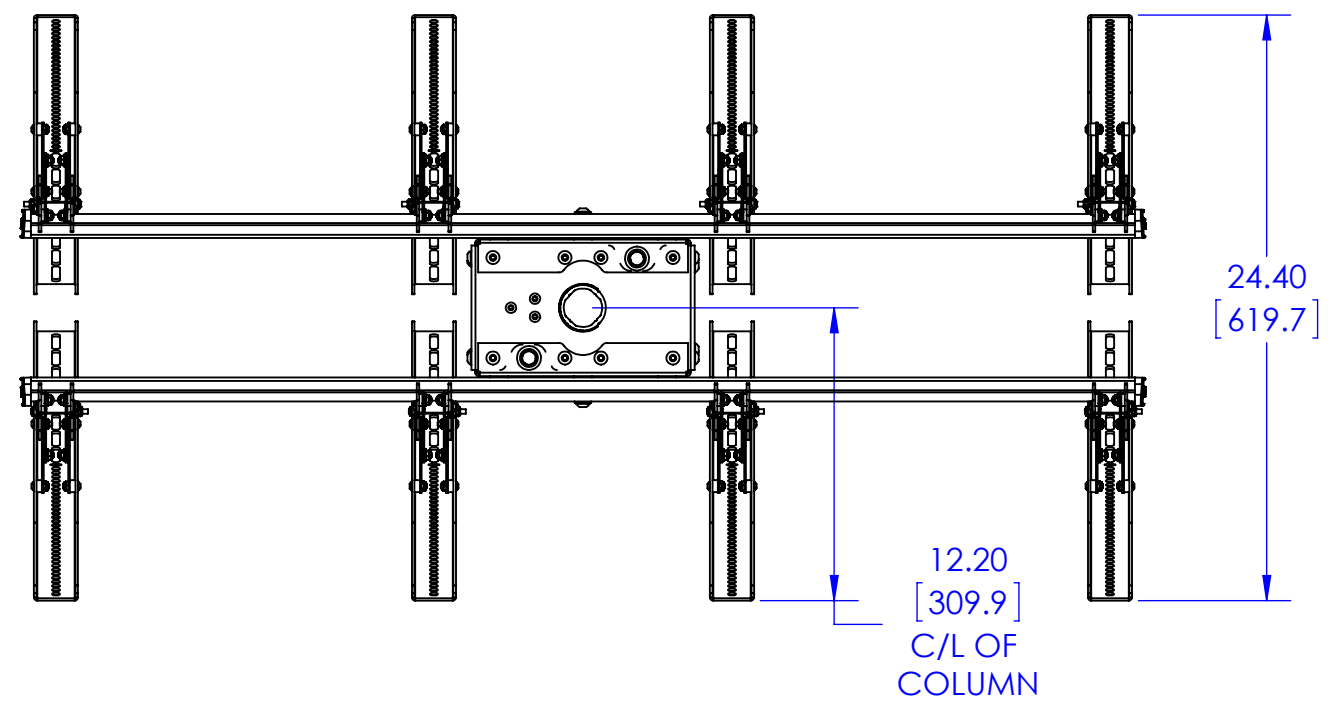


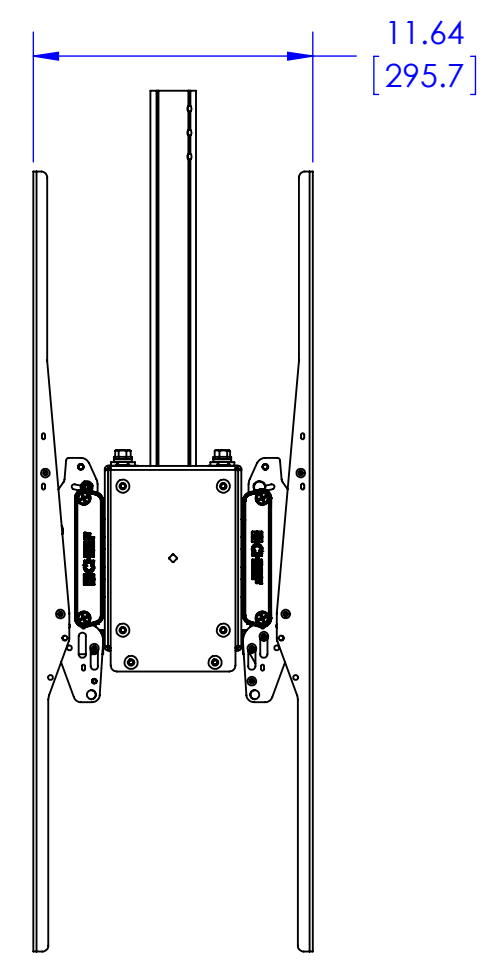
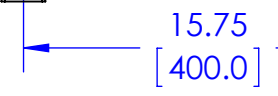
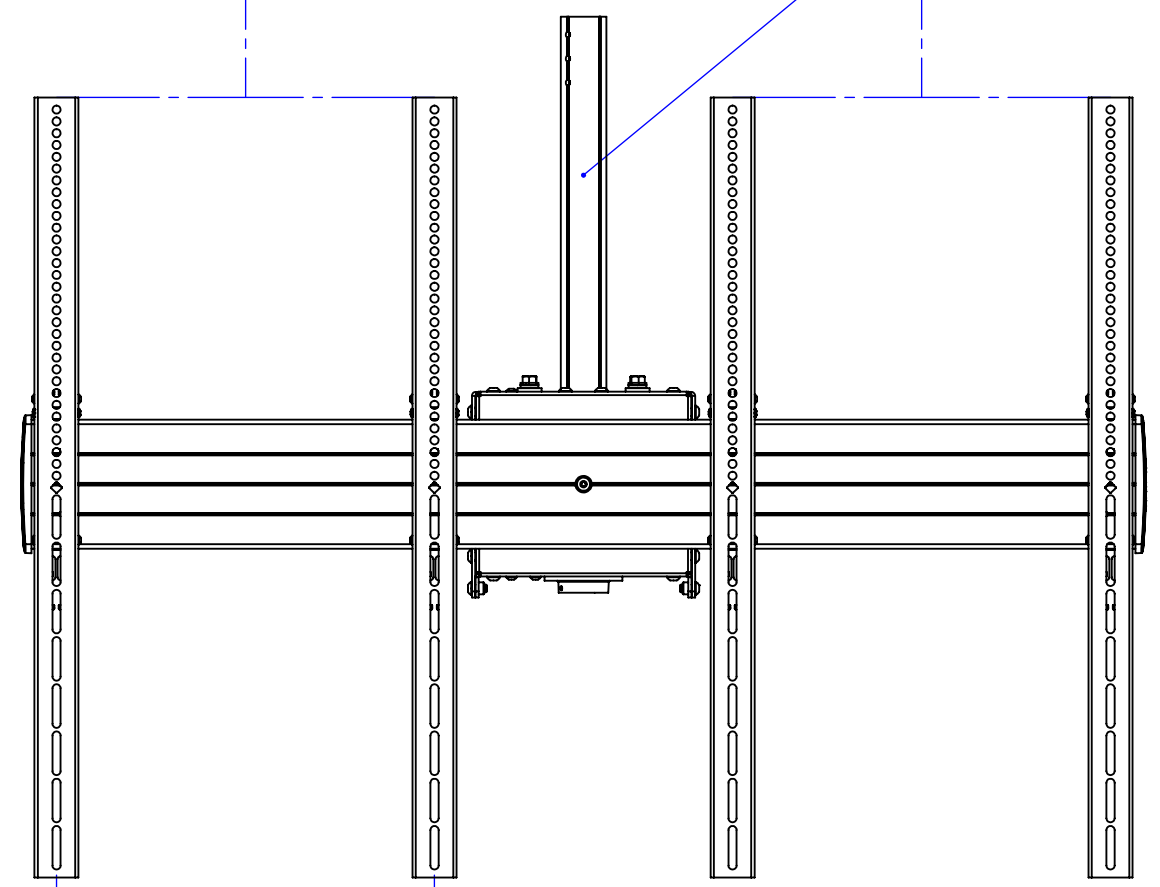
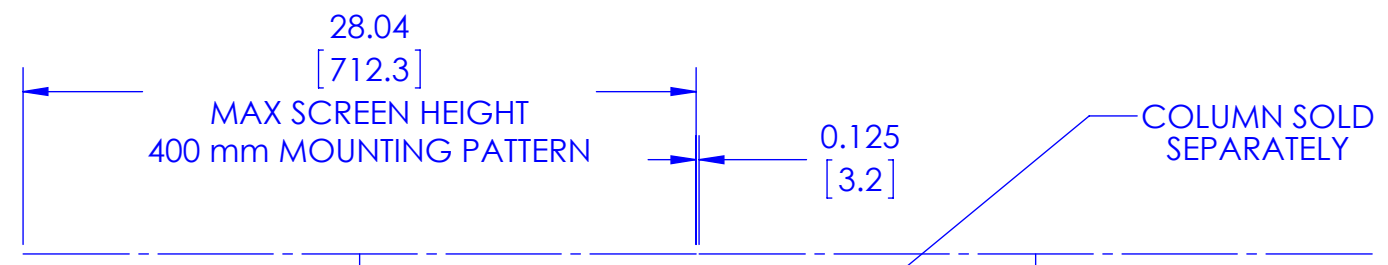
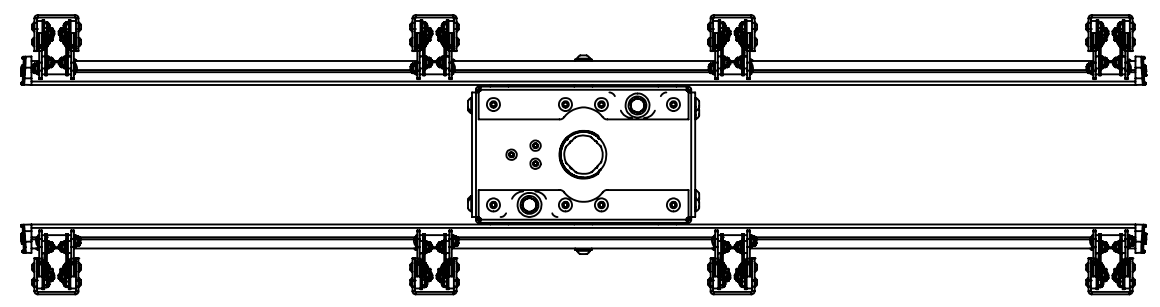
THE INFORMATION AND DESIGNS CONTAINED IN THIS DRAWING ARE CONFIDENTIAL AND THE PROPRIETARY PROPERTY OF MILESTONE AV TECHNOLOGIES NEITHER THIS DESIGN NOR ANY INFORMATION CONTAINED IN THIS DRAWING MAY BE REPRODUCED OR DISCLOSED TO OTHERS WITHOUT THE EXPRESS WRITTEN CONSENT OF MILESTONE AV TECHNOLOGIES.

CAD GENERATED DRAWING, DO NOT MANUALLY UPDATE.				6436 CITY WEST PKWY EDEN PRAIRIE MN, 55344 PHONE: 866-977-3901 FAX: 877-894-6918	
DRAWN BY	JAB	3/22/2013		DESCRIPTION CEILING MOUNT, SIDE BY SIDE, BACK TO BACK, PORTRAIT	
ENG APPROVAL			MODEL NO. LCB2X1UP		
MFG APPROVAL			SIZE	DWG. NO.	REV.
QA APPROVAL			B	TECH-000341	00
SHEET 1 OF 4			SCALE		
			1:8		



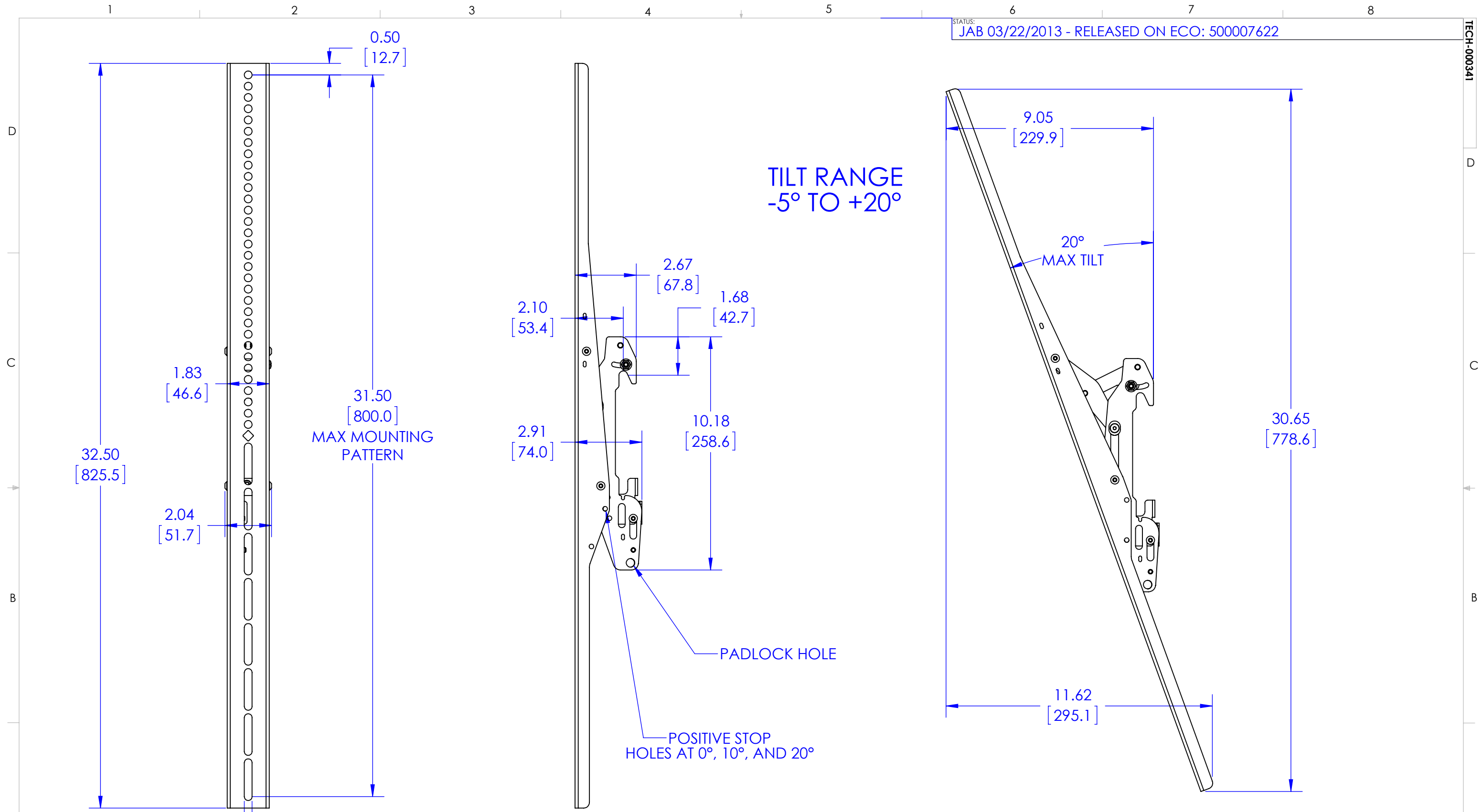
THE INFORMATION AND DESIGNS CONTAINED IN THIS DRAWING ARE CONFIDENTIAL AND THE PROPRIETARY PROPERTY OF MILESTONE AV TECHNOLOGIES NEITHER THIS DESIGN NOR ANY INFORMATION CONTAINED IN THIS DRAWING MAY BE REPRODUCED OR DISCLOSED TO OTHERS WITHOUT THE EXPRESS WRITTEN CONSENT OF MILESTONE AV TECHNOLOGIES.

CAD GENERATED DRAWING, DO NOT MANUALLY UPDATE.			<p>6436 CITY WEST PKWY EDEN PRAIRIE MN, 55344 PHONE: 866-977-3901 FAX: 877-894-6918</p>
DRAWN BY	JAB	3/22/2013	
ENG APPROVAL			DESCRIPTION
MFG APPROVAL			CEILING MOUNT, SIDE BY SIDE, BACK TO BACK, PORTRAIT
QA APPROVAL			MODEL NO.
SHEET 2 OF 4			LCB2X1UP
SCALE		1:16	SIZE
			B
			DWG. NO.
			TECH-000341
			REV.
			00



THE INFORMATION AND DESIGNS CONTAINED IN THIS DRAWING ARE CONFIDENTIAL AND THE PROPRIETARY PROPERTY OF MILESTONE AV TECHNOLOGIES NEITHER THIS DESIGN NOR ANY INFORMATION CONTAINED IN THIS DRAWING MAY BE REPRODUCED OR DISCLOSED TO OTHERS WITHOUT THE EXPRESS WRITTEN CONSENT OF MILESTONE AV TECHNOLOGIES.

CAD GENERATED DRAWING, DO NOT MANUALLY UPDATE.			6436 CITY WEST PKWY EDEN PRAIRIE MN, 55344 PHONE: 866-977-3901 FAX: 877-894-6918
DRAWN BY	JAB	3/22/2013	
ENG APPROVAL			DESCRIPTION CEILING MOUNT, SIDE BY SIDE, BACK TO BACK, PORTRAIT
MFG APPROVAL			MODEL NO. LCB2X1UP
QA APPROVAL			SIZE DWG. NO. REV. B TECH-000341 00
SHEET 3 OF 4		SCALE 1:12	



TILT RANGE
-5° TO +20°

THE INFORMATION AND DESIGNS CONTAINED IN THIS DRAWING ARE CONFIDENTIAL AND THE PROPRIETARY PROPERTY OF MILESTONE AV TECHNOLOGIES NEITHER THIS DESIGN NOR ANY INFORMATION CONTAINED IN THIS DRAWING MAY BE REPRODUCED OR DISCLOSED TO OTHERS WITHOUT THE EXPRESS WRITTEN CONSENT OF MILESTONE AV TECHNOLOGIES.

CAD GENERATED DRAWING, DO NOT MANUALLY UPDATE.			<p>6436 CITY WEST PKWY EDEN PRAIRIE MN, 55344 PHONE: 866-977-3901 FAX: 877-894-6918</p>
DRAWN BY	JAB	3/22/2013	
ENG APPROVAL			DESCRIPTION CEILING MOUNT, SIDE BY SIDE, BACK TO BACK, PORTRAIT
MFG APPROVAL			MODEL NO. LCB2X1UP
QA APPROVAL			SIZE DWG. NO. B TECH-000341
SHEET 4 OF 4		SCALE 1:8	REV. 00