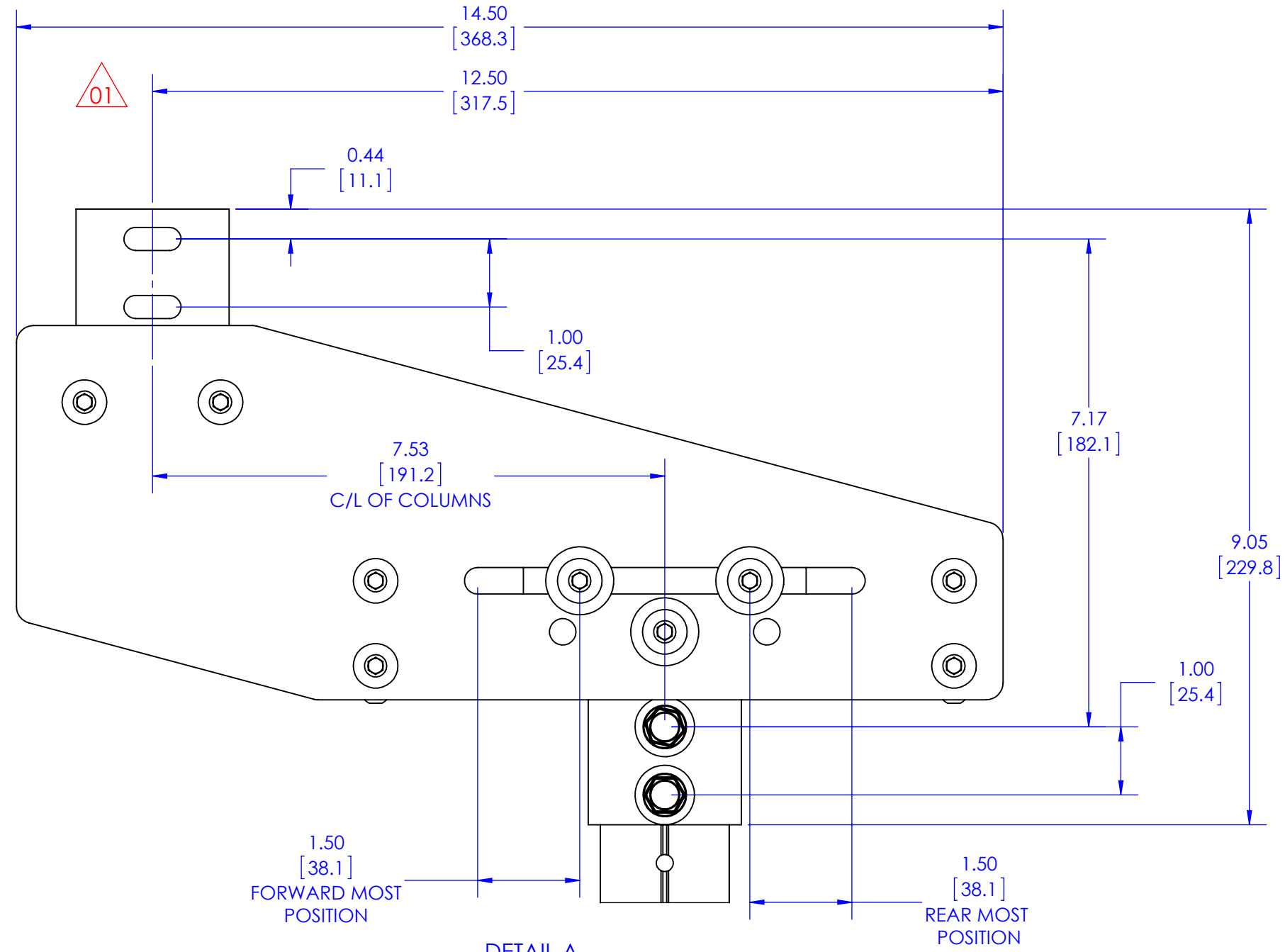
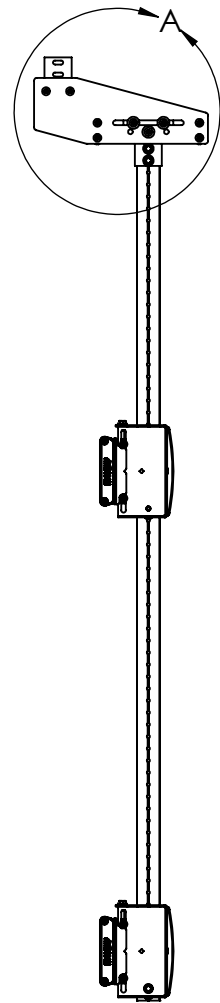


THE INFORMATION AND DESIGNS CONTAINED IN THIS DRAWING ARE CONFIDENTIAL AND THE PROPRIETARY PROPERTY OF MILESTONE AV TECHNOLOGIES NEITHER THIS DESIGN NOR ANY INFORMATION CONTAINED IN THIS DRAWING MAY BE REPRODUCED OR DISCLOSED TO OTHERS WITHOUT THE EXPRESS WRITTEN CONSENT OF MILESTONE AV TECHNOLOGIES.

CAD GENERATED DRAWING, DO NOT MANUALLY UPDATE.				6436 CITY WEST PKWY EDEN PRAIRIE MN, 55344 PHONE: 866-977-3901 FAX: 877-894-6918	
DRAWN BY	JAB	5/2/2013		DESCRIPTION 2 X 2 PORTRAIT, CEILING MOUNTED ARRAY	
ENG APPROVAL			MODEL NO. LCM2X2UP		
MFG APPROVAL			SIZE	DWG. NO.	REV.
QA APPROVAL			SHEET 1 OF 5	SCALE 1:16	B TECH-000362
					01



DETAIL A
SCALE 1 : 2

OFFSET SHOULD BE PUT IN THE FORWARD MOST POSITION FOR SCREENS LESS THAN 2.5" DEEP

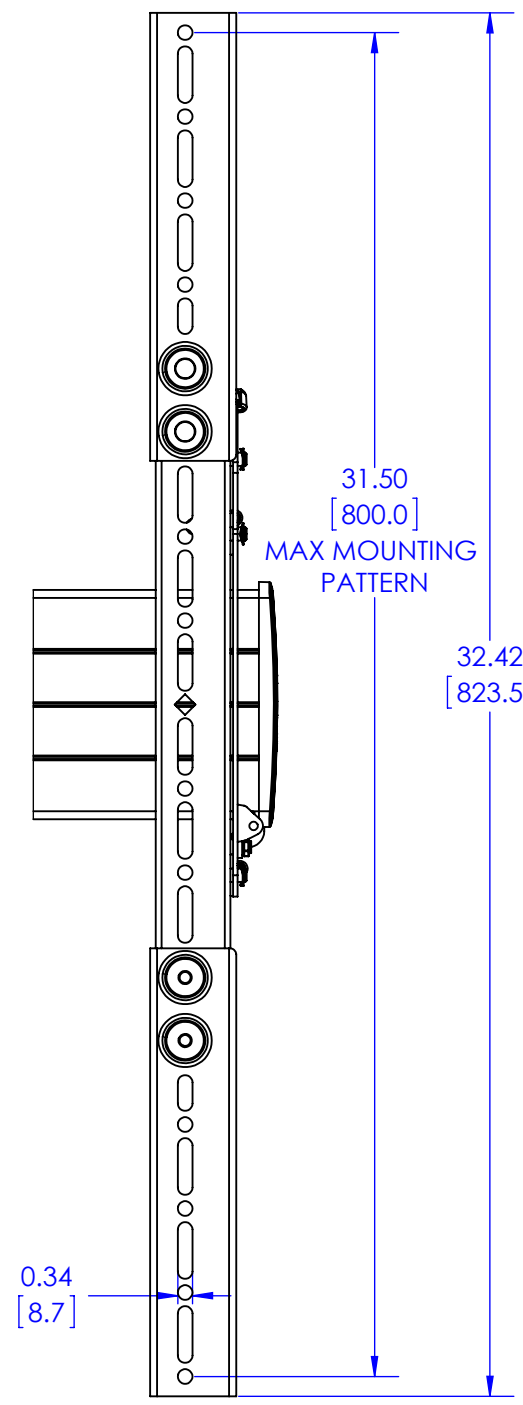
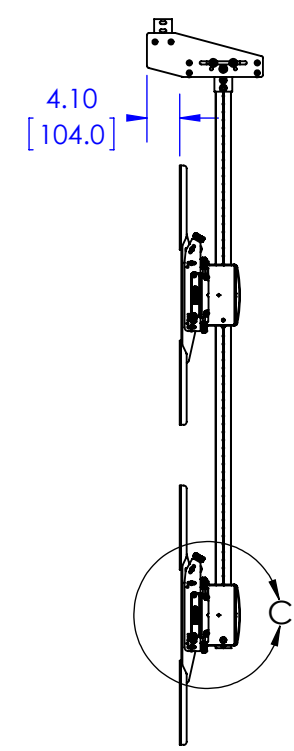
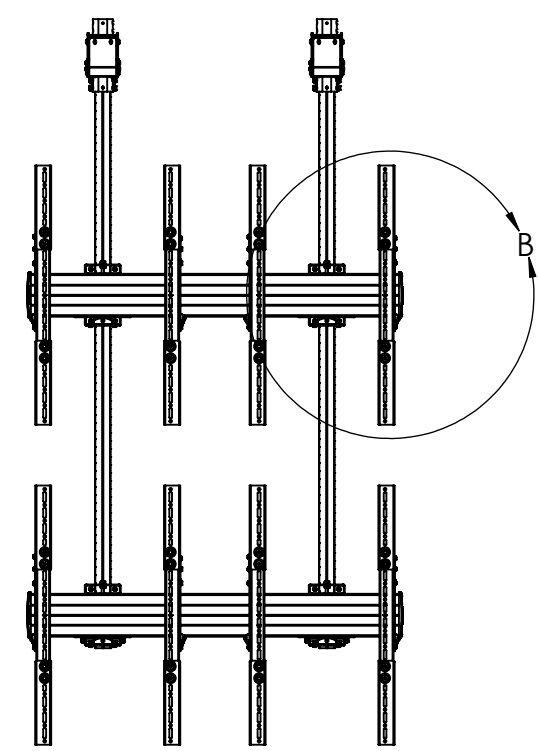
OFFSET SHOULD BE PUT IN THE REAR MOST POSITION FOR SCREENS GREATER THAN 4.5" DEEP

OFFSET SHOULD BE PUT IN THE CENTER POSITION FOR SCREENS BETWEEN 2.5" AND 4.5" DEEP

THE INFORMATION AND DESIGNS CONTAINED IN THIS DRAWING ARE CONFIDENTIAL AND THE PROPRIETARY PROPERTY OF MILESTONE AV TECHNOLOGIES NEITHER THIS DESIGN NOR ANY INFORMATION CONTAINED IN THIS DRAWING MAY BE REPRODUCED OR DISCLOSED TO OTHERS WITHOUT THE EXPRESS WRITTEN CONSENT OF MILESTONE AV TECHNOLOGIES.

CAD GENERATED DRAWING, DO NOT MANUALLY UPDATE.			CHIEF 6436 CITY WEST PKWY EDEN PRAIRIE MN, 55344 PHONE: 866-977-3901 FAX: 877-894-6918	
DRAWN BY	JAB	5/2/2013	DESCRIPTION 2 X 2 PORTRAIT, CEILING MOUNTED ARRAY	
ENG APPROVAL			MODEL NO. LCM2X2UP	
MFG APPROVAL			SIZE DWG. NO. B TECH-000362	
QA APPROVAL			REV. 01	
SHEET 2 OF 5			SCALE 1:16	

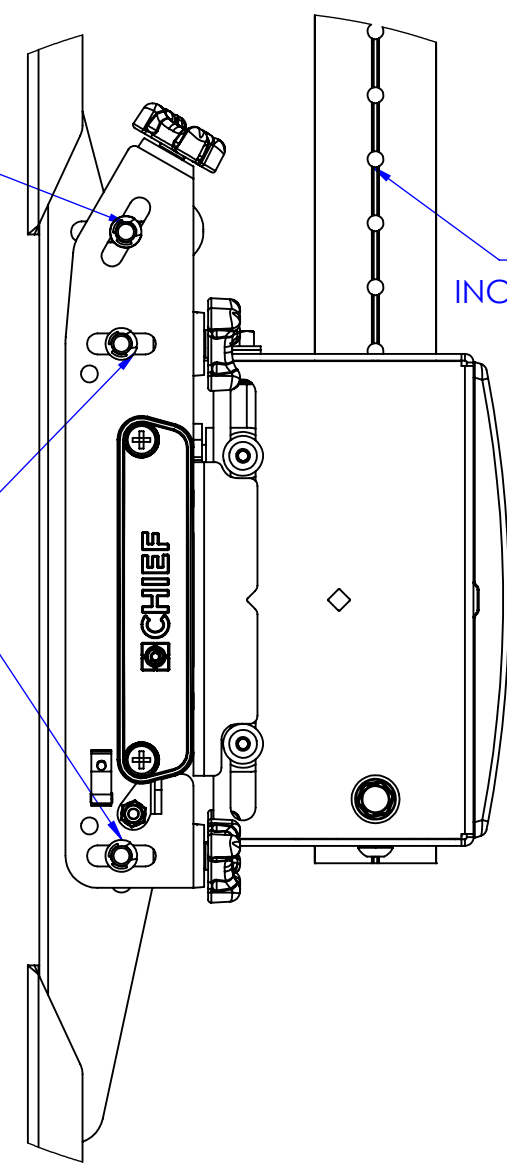
D
C
B
A



DETAIL B
SCALE 1 : 4.5

3/4" HEIGHT ADJUST
IN INTERFACE

3/4" FRONT TO
BACK ADJUST



DETAIL C
SCALE 1 : 3

HOLES SPACED AT 1"
INCREMENTS ALONG LENGTH OF
COLUMN

THE INFORMATION AND DESIGNS CONTAINED IN THIS DRAWING ARE CONFIDENTIAL AND THE PROPRIETARY PROPERTY OF MILESTONE AV TECHNOLOGIES NEITHER THIS DESIGN NOR ANY INFORMATION CONTAINED IN THIS DRAWING MAY BE REPRODUCED OR DISCLOSED TO OTHERS WITHOUT THE EXPRESS WRITTEN CONSENT OF MILESTONE AV TECHNOLOGIES.

CAD GENERATED DRAWING, DO NOT MANUALLY UPDATE.			<p>6436 CITY WEST PKWY EDEN PRAIRIE MN, 55344 PHONE: 866-977-3901 FAX: 877-894-6918</p>
DRAWN BY	JAB	5/2/2013	
ENG APPROVAL			DESCRIPTION 2 X 2 PORTRAIT, CEILING MOUNTED ARRAY
MFG APPROVAL			MODEL NO. LCM2X2UP
QA APPROVAL			SIZE DWG. NO. B TECH-000362
SHEET 3 OF 5		SCALE 1:24	REV. 01

1 2 3 4 5 6 7 8

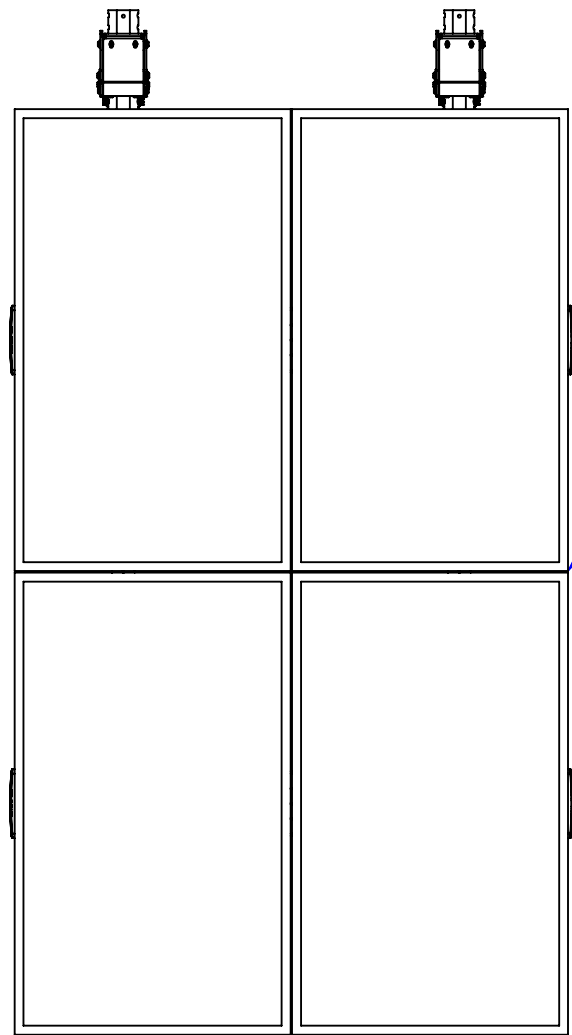
1 2 3 4 5 6 7 8

A

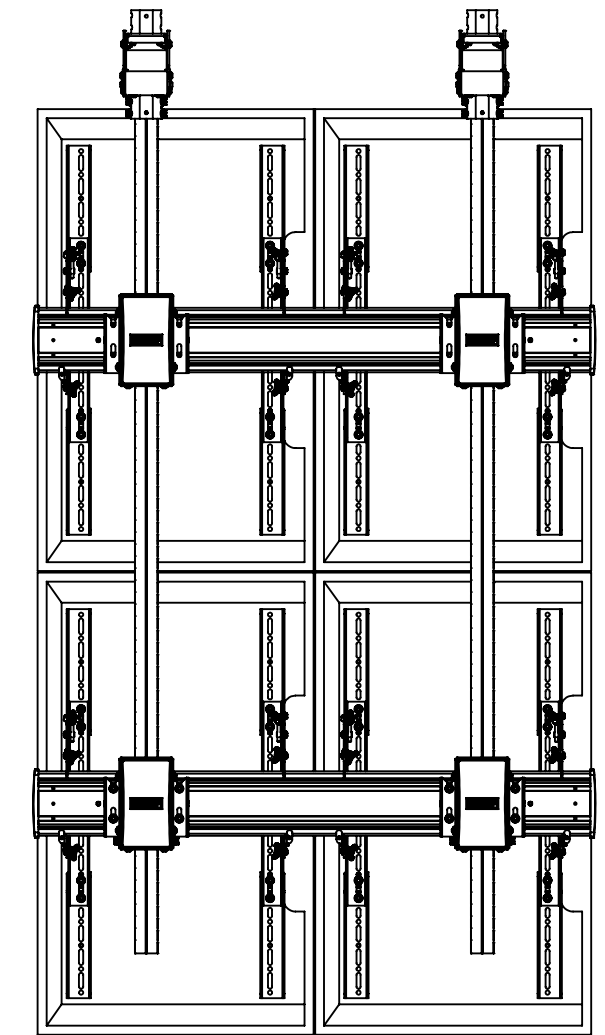
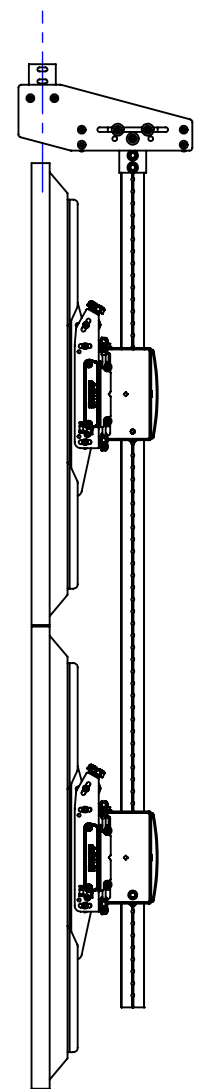
CENTER OF GRAVITY OF
SCREENS SHOULD BE AS CLOSE
IN-LINE WITH THE UPPER
COLUMN AS POSSIBLE

COLUMNS SHOULD BE APPROXIMATELY
CENTERED ON OUTSIDE SCREENS
(AS SHOWN)


MAINTAIN SLIGHT GAP
BETWEEN SCREENS

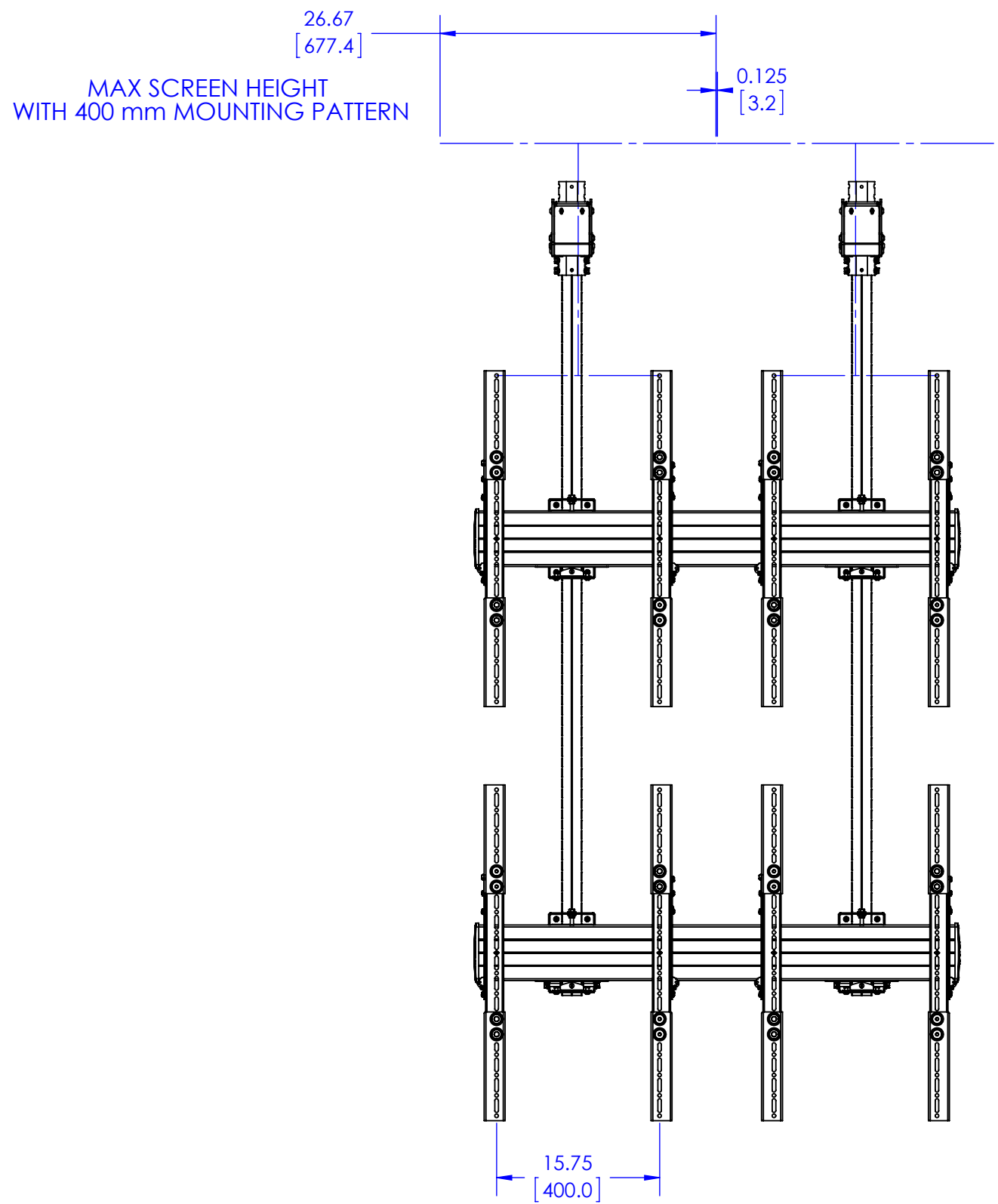


SHOWN WITH SIMULATED 42" SCREENS



THE INFORMATION AND DESIGNS CONTAINED IN
THIS DRAWING ARE CONFIDENTIAL AND THE
PROPRIETARY PROPERTY OF MILESTONE AV
TECHNOLOGIES NEITHER THIS DESIGN NOR ANY
INFORMATION CONTAINED IN THIS DRAWING
MAY BE REPRODUCED OR DISCLOSED TO OTHERS
WITHOUT THE EXPRESS WRITTEN CONSENT OF
MILESTONE AV TECHNOLOGIES.

CAD GENERATED DRAWING, DO NOT MANUALLY UPDATE.			 6436 CITY WEST PKWY EDEN PRAIRIE MN, 55344 PHONE: 866-977-3901 FAX: 877-894-6918
DRAWN BY	JAB	5/2/2013	
ENG APPROVAL			DESCRIPTION
MFG APPROVAL			2 X 2 PORTRAIT, CEILING MOUNTED ARRAY
QA APPROVAL			MODEL NO.
SHEET 4 OF 5			LCM2X2UP
SCALE		1:24	SIZE
			DWG. NO.
			TECH-000362
			REV.
			01



THE INFORMATION AND DESIGNS CONTAINED IN THIS DRAWING ARE CONFIDENTIAL AND THE PROPRIETARY PROPERTY OF MILESTONE AV TECHNOLOGIES NEITHER THIS DESIGN NOR ANY INFORMATION CONTAINED IN THIS DRAWING MAY BE REPRODUCED OR DISCLOSED TO OTHERS WITHOUT THE EXPRESS WRITTEN CONSENT OF MILESTONE AV TECHNOLOGIES.

CAD GENERATED DRAWING, DO NOT MANUALLY UPDATE.			6436 CITY WEST PKWY EDEN PRAIRIE MN, 55344 PHONE: 866-977-3901 FAX: 877-894-6918
DRAWN BY	JAB	5/2/2013	
ENG APPROVAL			DESCRIPTION 2 X 2 PORTRAIT, CEILING MOUNTED ARRAY
MFG APPROVAL			MODEL NO. LCM2X2UP
QA APPROVAL			SIZE DWG. NO. REV. B TECH-000362 01
SHEET 5 OF 5			SCALE 1:24

A

B

C

D

D

C

B

A

1

2

3

4

5

6

7

8

1

2

3

4

5

6

7

8