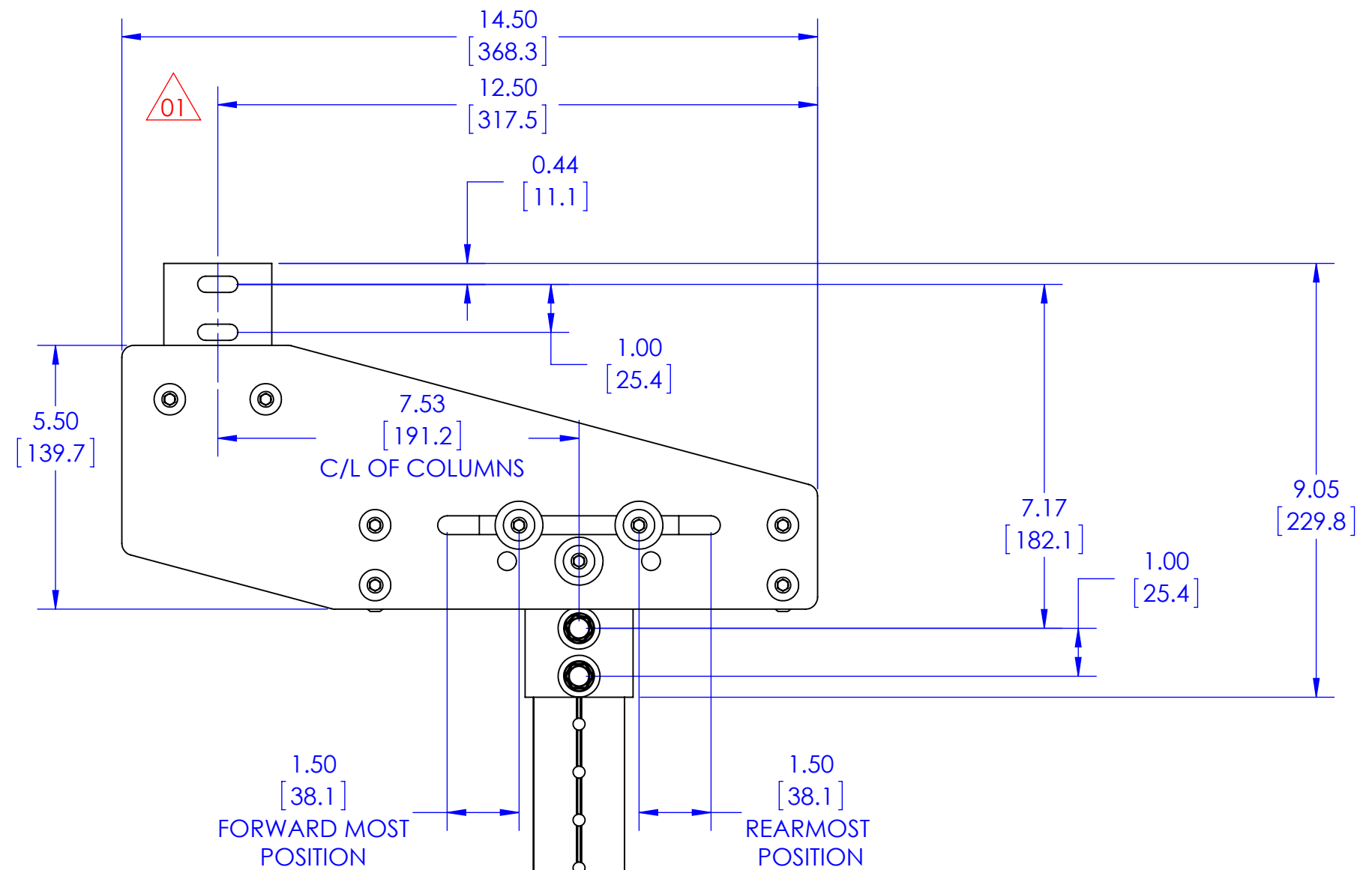
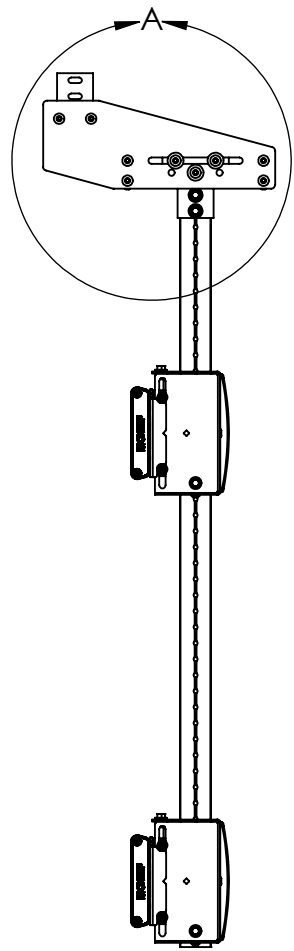


<p>THE INFORMATION AND DESIGNS CONTAINED IN THIS DRAWING ARE CONFIDENTIAL AND THE PROPRIETARY PROPERTY OF MILESTONE AV TECHNOLOGIES NEITHER THIS DESIGN NOR ANY INFORMATION CONTAINED IN THIS DRAWING MAY BE REPRODUCED OR DISCLOSED TO OTHERS WITHOUT THE EXPRESS WRITTEN CONSENT OF MILESTONE AV TECHNOLOGIES.</p>			CAD GENERATED DRAWING, DO NOT MANUALLY UPDATE.			<p>6436 CITY WEST PKWY EDEN PRAIRIE MN, 55344 PHONE: 866-977-3901 FAX: 877-894-6918</p>	
			DRAWN BY	JAB	11/29/2012		DESCRIPTION
			ENG APPROVAL			LCM3X2U	
			MFG APPROVAL			MODEL NO.	
			QA APPROVAL			LCM3X2U	
SHEET 1 OF 5		SCALE	1:12	SIZE	DWG. NO.	REV.	
			B	TECH-000260		01	



OFFSET SHOULD BE PUT IN THE FORWARD MOST POSITION FOR SCREENS LESS THAN 2.5" DEEP

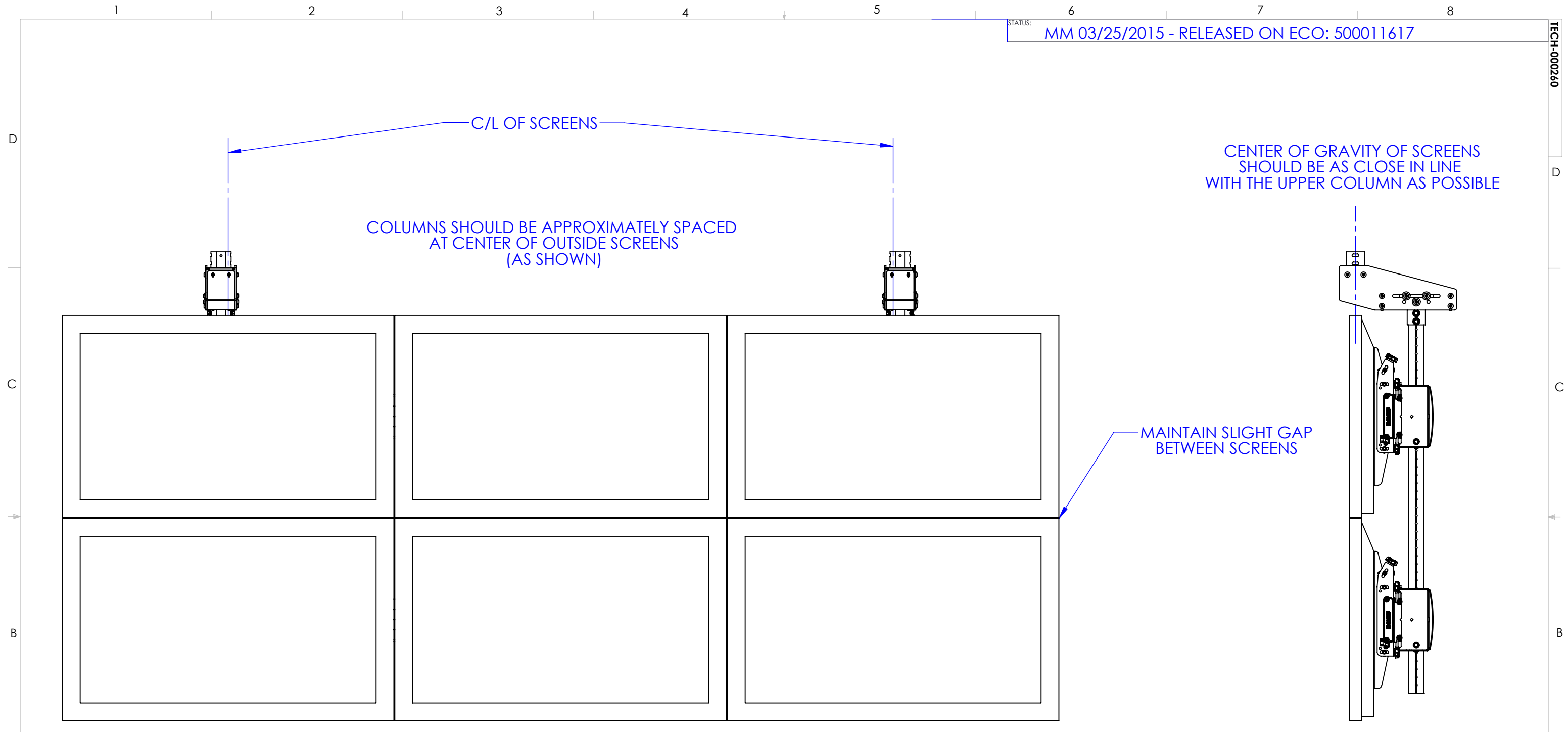
OFFSET SHOULD BE PUT IN THE REAR MOST POSITION FOR SCREENS GREATER THAN 4.5" DEEP

DETAIL A
SCALE 1 : 3

OFFSET SHOULD BE PUT IN THE CENTER POSITION FOR SCREENS BETWEEN 2.5" AND 4.5" DEEP

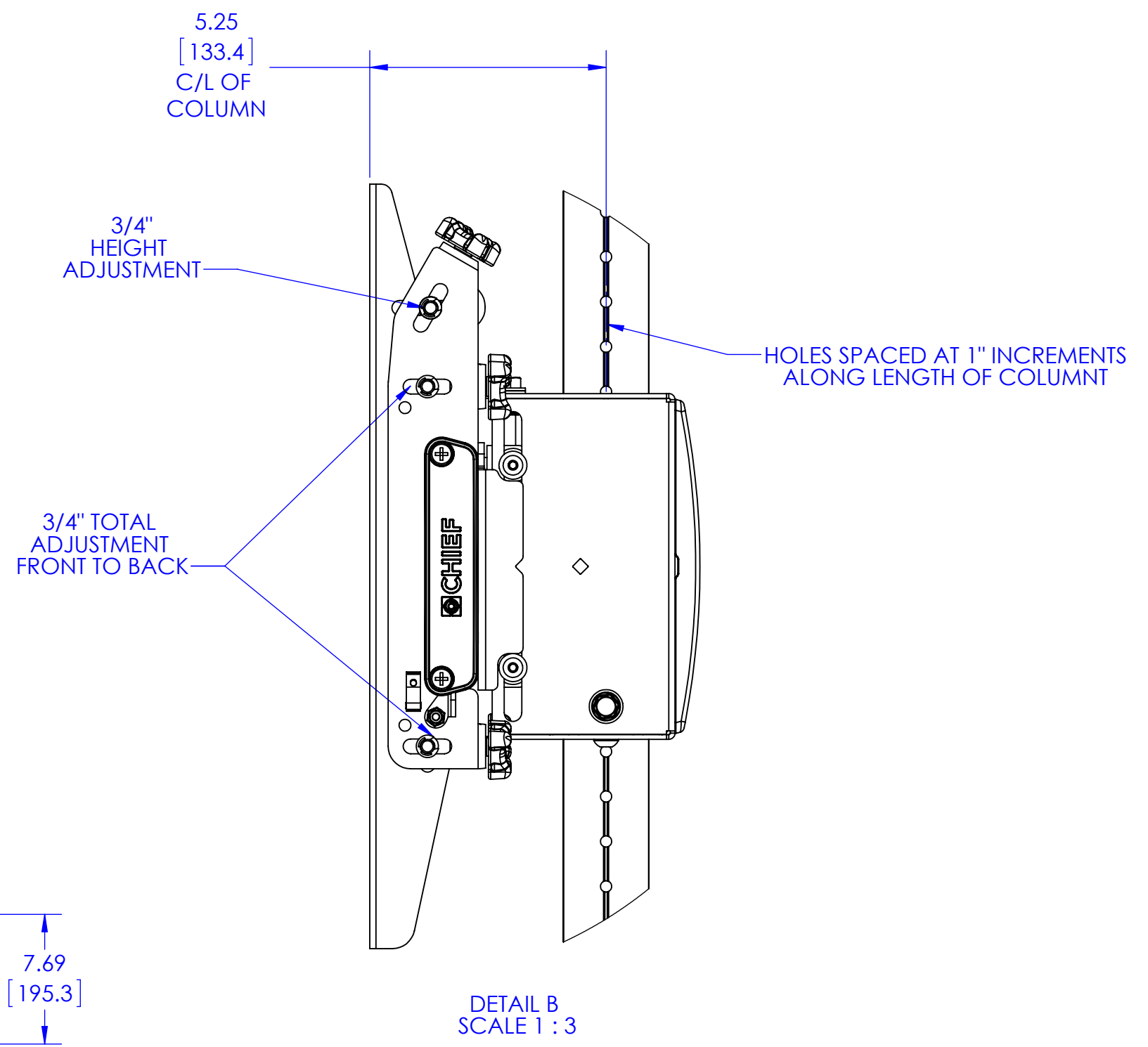
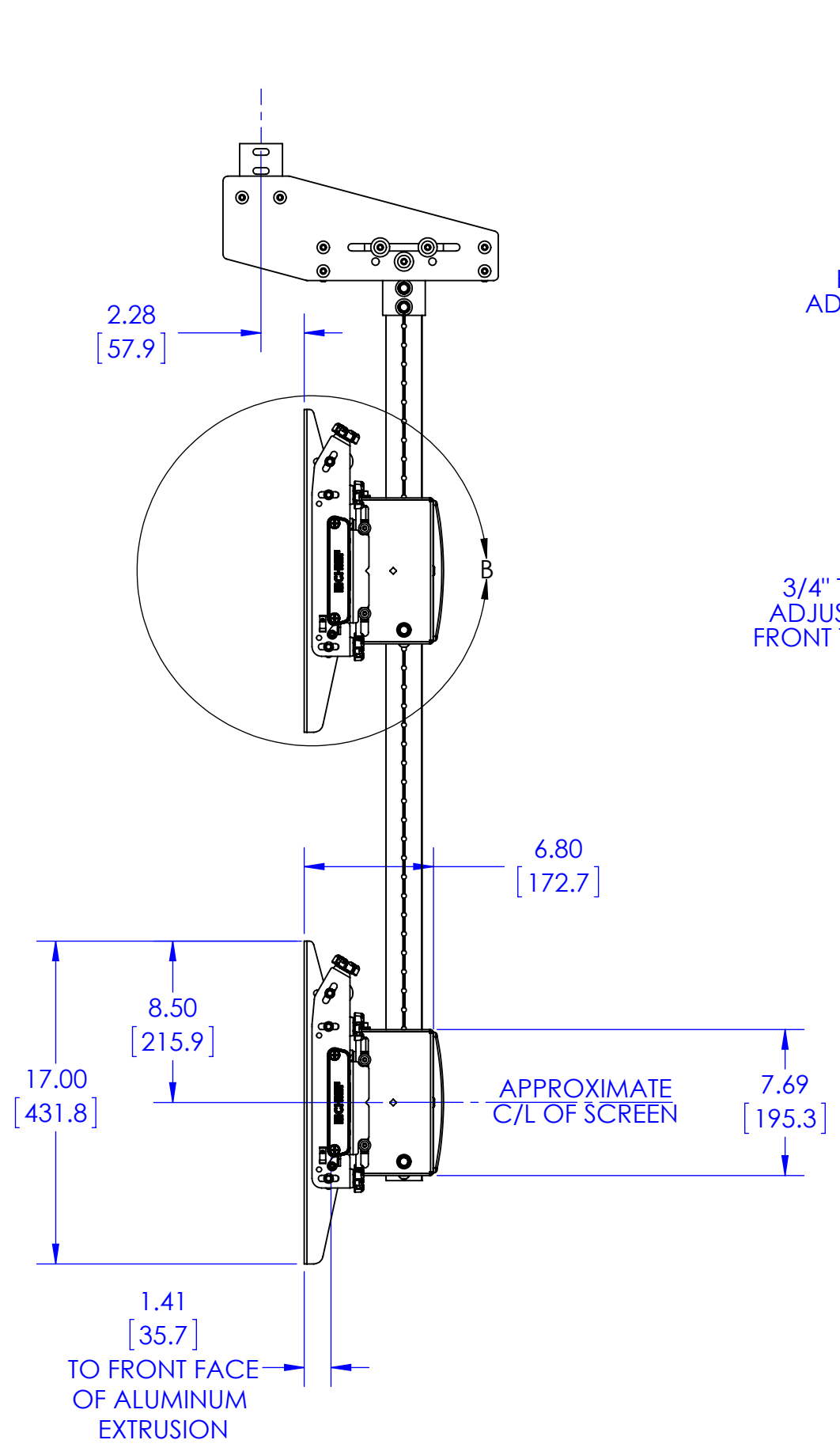
THE INFORMATION AND DESIGNS CONTAINED IN THIS DRAWING ARE CONFIDENTIAL AND THE PROPRIETARY PROPERTY OF MILESTONE AV TECHNOLOGIES NEITHER THIS DESIGN NOR ANY INFORMATION CONTAINED IN THIS DRAWING MAY BE REPRODUCED OR DISCLOSED TO OTHERS WITHOUT THE EXPRESS WRITTEN CONSENT OF MILESTONE AV TECHNOLOGIES.

CAD GENERATED DRAWING, DO NOT MANUALLY UPDATE.			6436 CITY WEST PKWY EDEN PRAIRIE MN, 55344 PHONE: 866-977-3901 FAX: 877-894-6918
DRAWN BY	JAB	11/29/2012	
ENG APPROVAL			DESCRIPTION
MFG APPROVAL			LCM3X2U
QA APPROVAL			MODEL NO.
SHEET 2 OF 5			LCM3X2U
SCALE	1:12	SIZE	DWG. NO.
		B	TECH-000260
			REV.
			01



THE INFORMATION AND DESIGNS CONTAINED IN THIS DRAWING ARE CONFIDENTIAL AND THE PROPRIETARY PROPERTY OF MILESTONE AV TECHNOLOGIES NEITHER THIS DESIGN NOR ANY INFORMATION CONTAINED IN THIS DRAWING MAY BE REPRODUCED OR DISCLOSED TO OTHERS WITHOUT THE EXPRESS WRITTEN CONSENT OF MILESTONE AV TECHNOLOGIES.

CAD GENERATED DRAWING, DO NOT MANUALLY UPDATE.			6436 CITY WEST PKWY EDEN PRAIRIE MN, 55344 PHONE: 866-977-3901 FAX: 877-894-6918
DRAWN BY	JAB	11/29/2012	
ENG APPROVAL			DESCRIPTION
MFG APPROVAL			LCM3X2U
QA APPROVAL			MODEL NO.
SHEET 3 OF 5			LCM3X2U
SCALE	1:12	SIZE	DWG. NO.
		B	TECH-000260
			REV.
			01



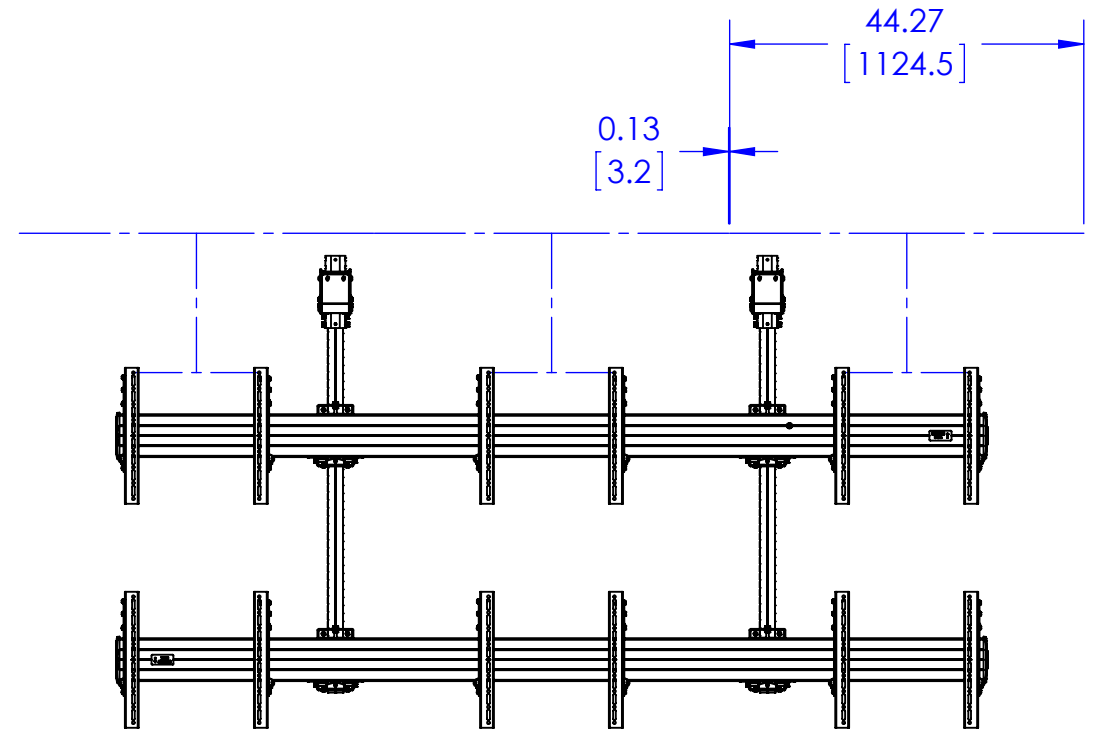
DETAIL B
SCALE 1 : 3

THE INFORMATION AND DESIGNS CONTAINED IN THIS DRAWING ARE CONFIDENTIAL AND THE PROPRIETARY PROPERTY OF MILESTONE AV TECHNOLOGIES NEITHER THIS DESIGN NOR ANY INFORMATION CONTAINED IN THIS DRAWING MAY BE REPRODUCED OR DISCLOSED TO OTHERS WITHOUT THE EXPRESS WRITTEN CONSENT OF MILESTONE AV TECHNOLOGIES.

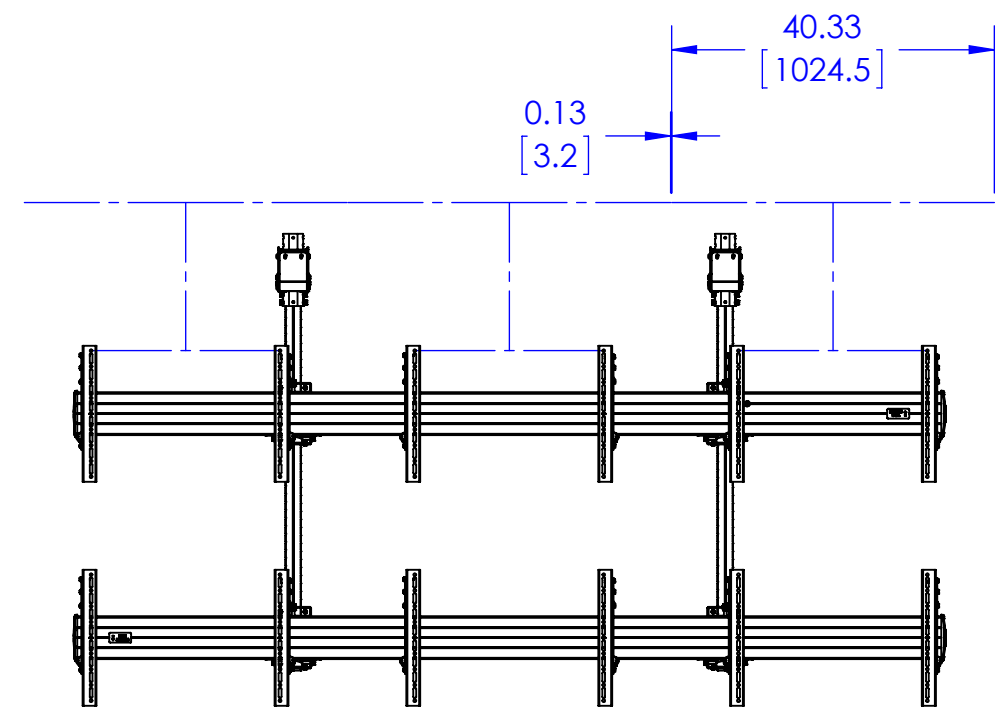
CAD GENERATED DRAWING, DO NOT MANUALLY UPDATE.				6436 CITY WEST PKWY EDEN PRAIRIE MN, 55344 PHONE: 866-977-3901 FAX: 877-894-6918		
DRAWN BY	JAB	11/29/2012		DESCRIPTION	LCM3X2U	
ENG APPROVAL			MODEL NO.	LCM3X2U		
MFG APPROVAL			SIZE	DWG. NO.	REV.	
QA APPROVAL			SHEET 4 OF 5	SCALE 1:16	B TECH-000260	01

D
C
B
A

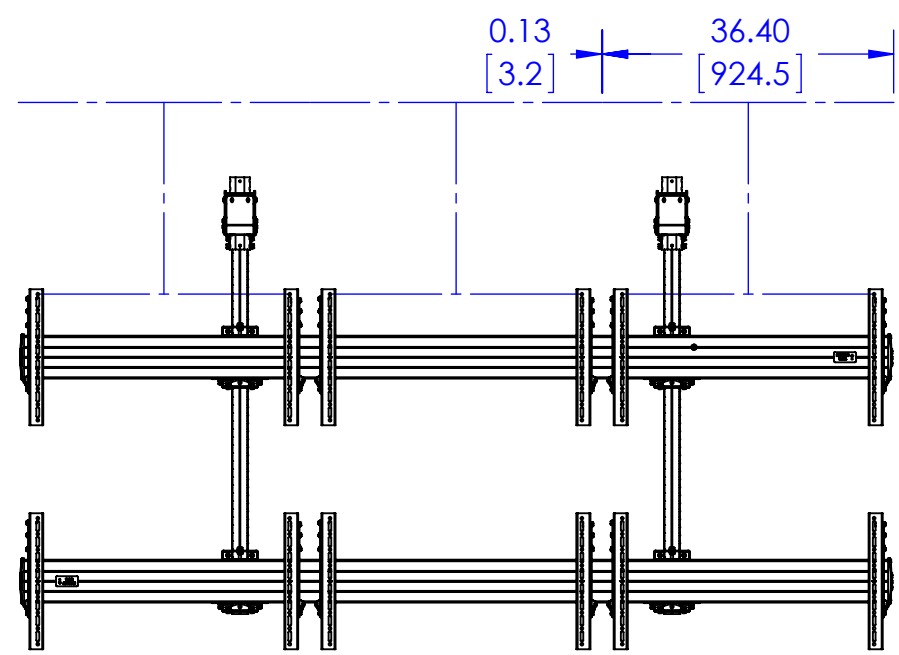
D
C
B
A



MAX SCREEN WIDTH
400 mm MOUNTING PATTERN



MAX SCREEN WIDTH
600 mm MOUNTING PATTERN



MAX SCREEN WIDTH
800 mm MOUNTING PATTERN

THE INFORMATION AND DESIGNS CONTAINED IN THIS DRAWING ARE CONFIDENTIAL AND THE PROPRIETARY PROPERTY OF MILESTONE AV TECHNOLOGIES NEITHER THIS DESIGN NOR ANY INFORMATION CONTAINED IN THIS DRAWING MAY BE REPRODUCED OR DISCLOSED TO OTHERS WITHOUT THE EXPRESS WRITTEN CONSENT OF MILESTONE AV TECHNOLOGIES.

CAD GENERATED DRAWING, DO NOT MANUALLY UPDATE.			6436 CITY WEST PKWY EDEN PRAIRIE MN, 55344 PHONE: 866-977-3901 FAX: 877-894-6918
DRAWN BY	JAB	11/29/2012	
ENG APPROVAL			DESCRIPTION
MFG APPROVAL			LCM3X2U
QA APPROVAL			MODEL NO.
SHEET 5 OF 5			LCM3X2U
SCALE	1:16	SIZE	DWG. NO.
		B	TECH-000260
			REV.
			01

1 2 3 4 5 6 7 8

1 2 3 4 5 6 7 8