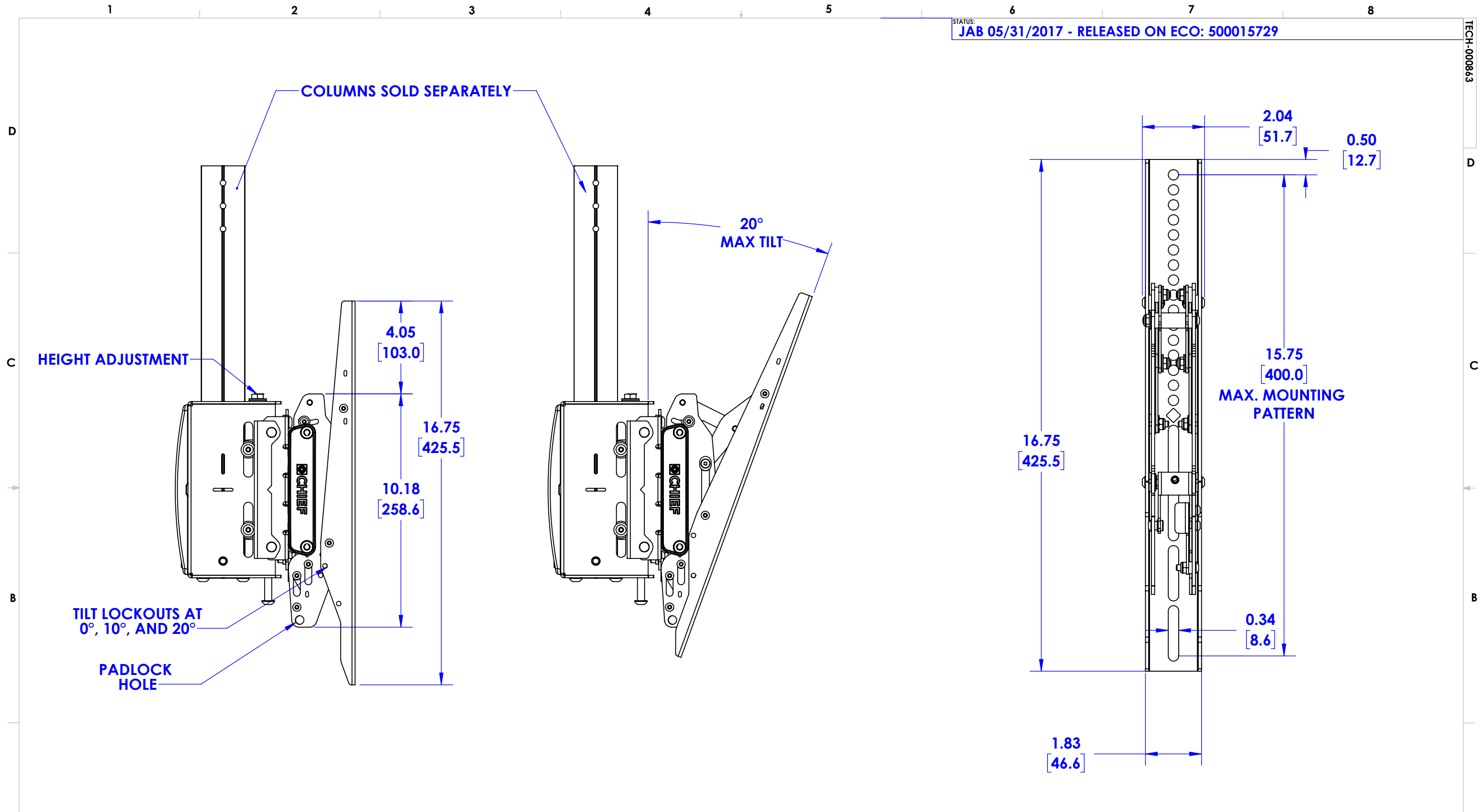


THE INFORMATION AND DESIGNS CONTAINED IN THIS DRAWING ARE CONFIDENTIAL AND THE PROPRIETARY PROPERTY OF MILESTONE AV TECHNOLOGIES NEITHER THIS DESIGN NOR ANY INFORMATION CONTAINED IN THIS DRAWING MAY BE REPRODUCED OR DISCLOSED TO OTHERS WITHOUT THE EXPRESS WRITTEN CONSENT OF MILESTONE AV TECHNOLOGIES.

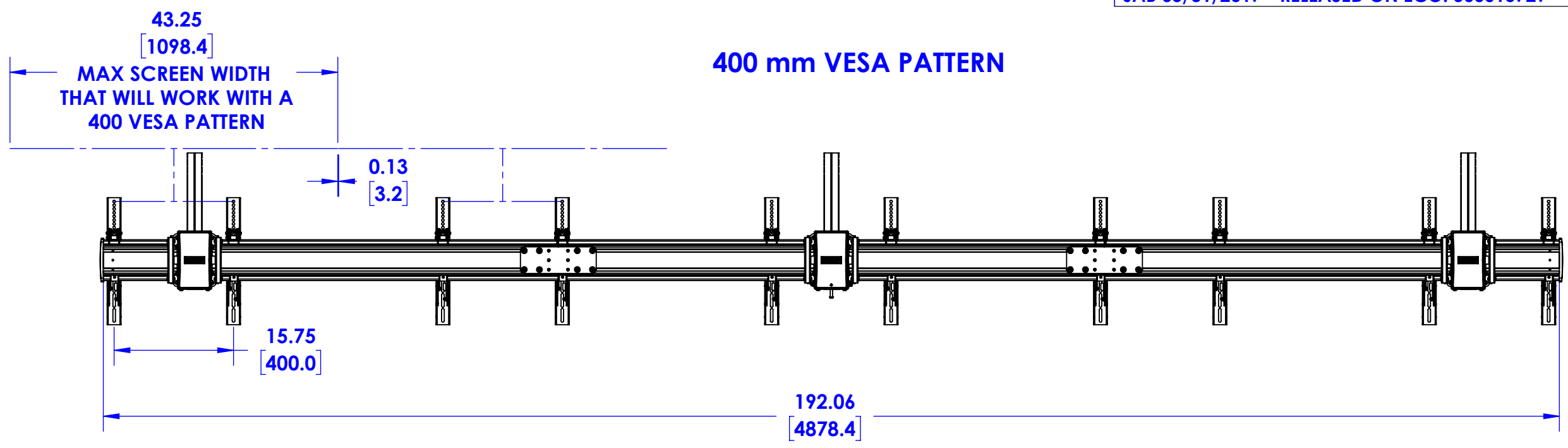
CAD GENERATED DRAWING, DO NOT MANUALLY UPDATE.			6436 CITY WEST PKWY EDEN PRAIRIE MN, 55344 PHONE: 866-977-3901 FAX: 877-894-6918
DRAWN BY	JAB	5/31/2017	
ENG APPROVAL			DESCRIPTION
MFG APPROVAL			LCM5X1U TECH DRAWING
QA APPROVAL			MODEL NO.
SHEET 1 OF 4			LCM5X1U
SCALE	1:24	SIZE	DWG. NO.
		B	TECH-000863
			REV.
			00



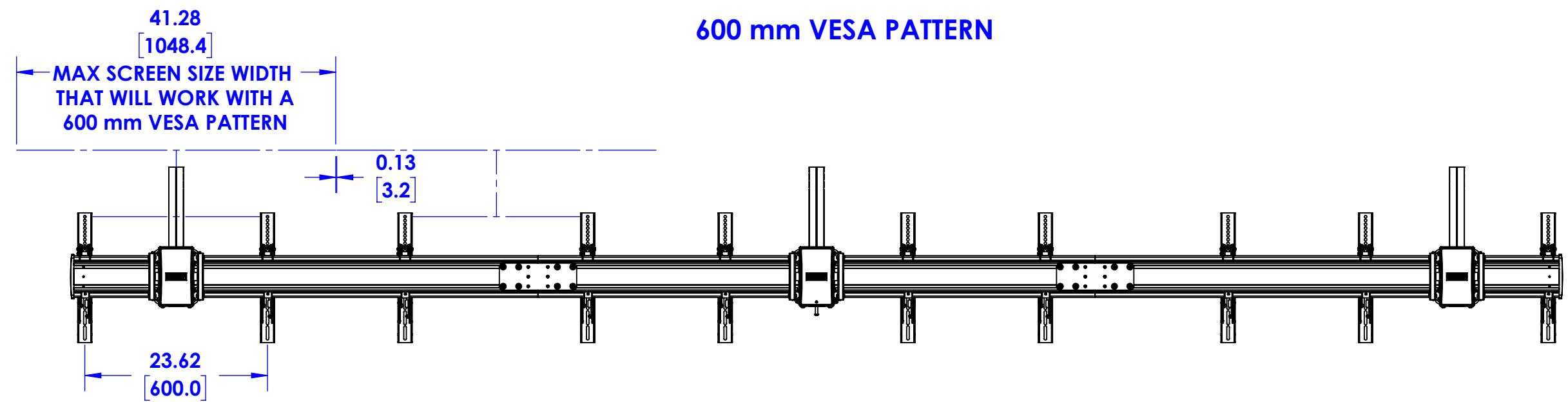
THE INFORMATION AND DESIGNS CONTAINED IN THIS DRAWING ARE CONFIDENTIAL AND THE PROPRIETARY PROPERTY OF MILESTONE AV TECHNOLOGIES NEITHER THIS DESIGN NOR ANY INFORMATION CONTAINED IN THIS DRAWING MAY BE REPRODUCED OR DISCLOSED TO OTHERS WITHOUT THE EXPRESS WRITTEN CONSENT OF MILESTONE AV TECHNOLOGIES.

CAD GENERATED DRAWING, DO NOT MANUALLY UPDATE.				6436 CITY WEST PKWY EDEN PRAIRIE MN, 55344 PHONE: 866-977-3901 FAX: 877-894-6918	
DRAWN BY	JAB	5/31/2017	DESCRIPTION		
ENG APPROVAL			LCM5X1U TECH DRAWING		
MFG APPROVAL			MODEL NO.		
QA APPROVAL			LCM5X1U		
SHEET 2 OF 4		SCALE	SIZE	DWG. NO.	REV.
		1:4	B	TECH-000863	00

400 mm VESA PATTERN



600 mm VESA PATTERN

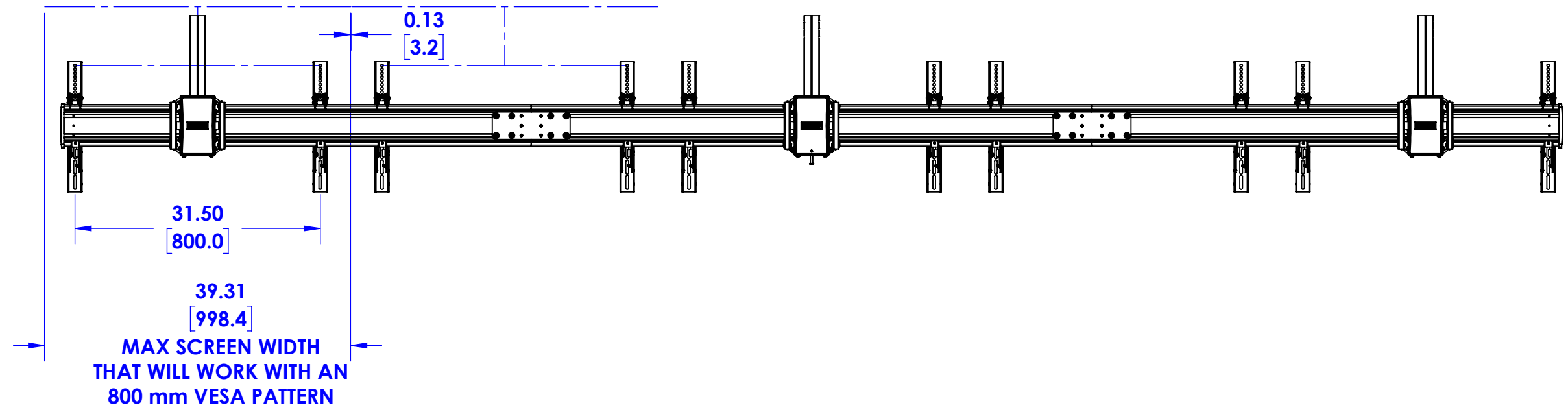


COLUMNS SOLD SEPARATELY

THE INFORMATION AND DESIGNS CONTAINED IN THIS DRAWING ARE CONFIDENTIAL AND THE PROPRIETARY PROPERTY OF MILESTONE AV TECHNOLOGIES NEITHER THIS DESIGN NOR ANY INFORMATION CONTAINED IN THIS DRAWING MAY BE REPRODUCED OR DISCLOSED TO OTHERS WITHOUT THE EXPRESS WRITTEN CONSENT OF MILESTONE AV TECHNOLOGIES.

CAD GENERATED DRAWING, DO NOT MANUALLY UPDATE.			6436 CITY WEST PKWY EDEN PRAIRIE MN, 55344 PHONE: 866-977-3901 FAX: 877-894-6918	
DRAWN BY	JAB	5/31/2017		
ENG APPROVAL			DESCRIPTION	
MFG APPROVAL			LCM5X1U TECH DRAWING	
QA APPROVAL			MODEL NO.	
SHEET 3 OF 4			SCALE	1:16
			SIZE	B
			DWG. NO.	TECH-000863
			REV.	00

800 mm VESA PATTERN



COLUMNS SOLD SEPARATELY

THE INFORMATION AND DESIGNS CONTAINED IN THIS DRAWING ARE CONFIDENTIAL AND THE PROPRIETARY PROPERTY OF MILESTONE AV TECHNOLOGIES NEITHER THIS DESIGN NOR ANY INFORMATION CONTAINED IN THIS DRAWING MAY BE REPRODUCED OR DISCLOSED TO OTHERS WITHOUT THE EXPRESS WRITTEN CONSENT OF MILESTONE AV TECHNOLOGIES.

CAD GENERATED DRAWING, DO NOT MANUALLY UPDATE.			6436 CITY WEST PKWY EDEN PRAIRIE MN, 55344 PHONE: 866-977-3901 FAX: 877-894-6918
DRAWN BY	JAB	5/31/2017	
ENG APPROVAL			DESCRIPTION
MFG APPROVAL			LCM5X1U TECH DRAWING
QA APPROVAL			MODEL NO.
SHEET 4 OF 4			LCM5X1U
SCALE	1:16	SIZE	DWG. NO.
		B	TECH-000863
			REV.
			00