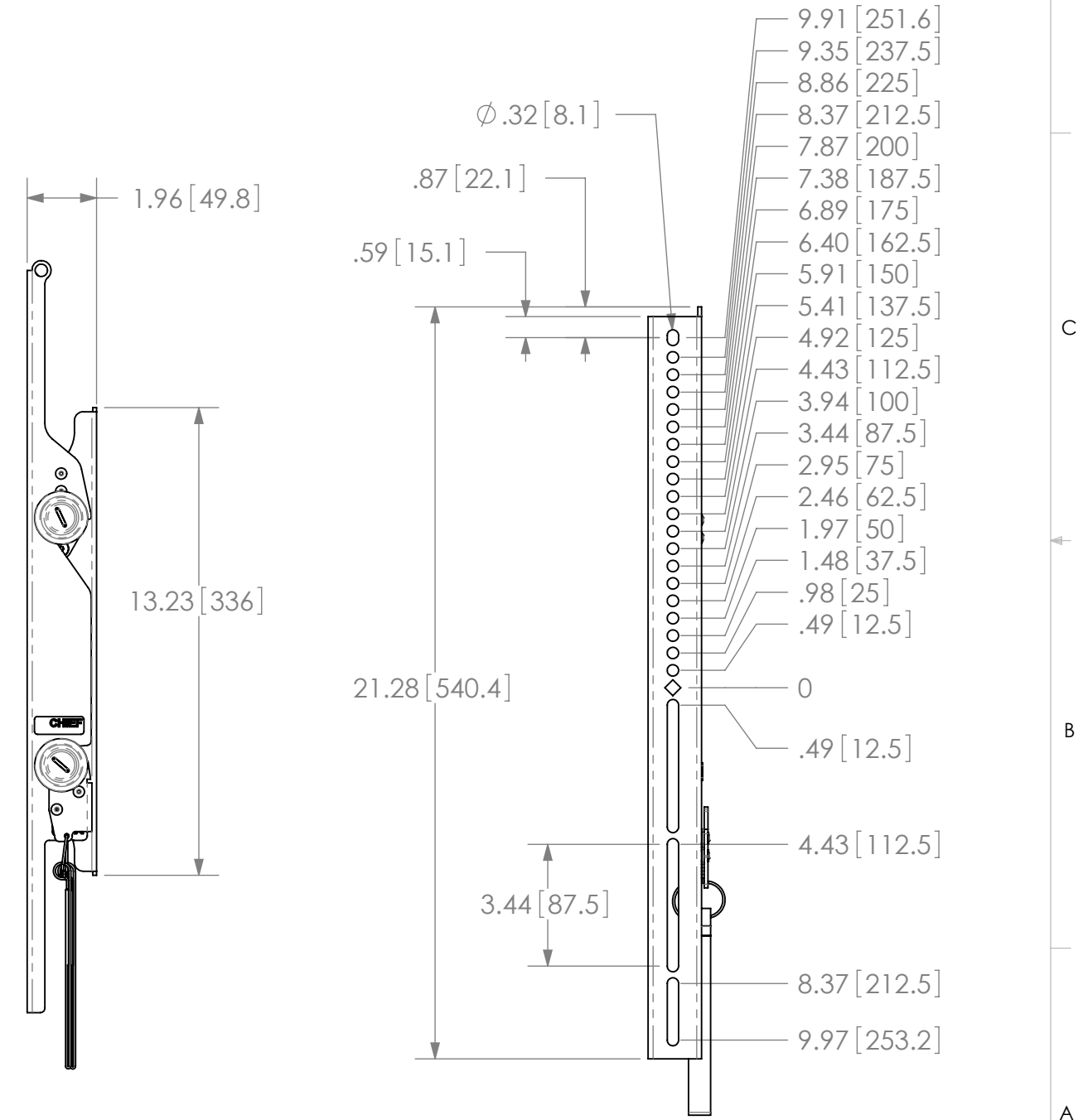


- NOTES:
1. MAX MOUNTING PATTERN IS 31.8"[807.7mm] WITHOUT REVERSING UPRIGHTS.
 2. MAX MOUNTING PATTERN IS 34.3"[871.2mm] WITH REVERSING UPRIGHTS.
 3. FOR RECESSED APPLICATIONS, MINIMUM VERTICAL LIFT FOR HOOK ENGAGEMENT IS .56"[14.2mm].
 4. MOUNT RAILS CAN BE SLID LEFT OR RIGHT FOR OFFSET APPLICATIONS.
 5. MOUNT IS 1.96"[49.8mm] DEEP WHEN FLAT TO WALL.



THE INFORMATION AND DESIGNS CONTAINED IN THIS DRAWING ARE CONFIDENTIAL AND THE PROPRIETARY PROPERTY OF MILESTONE AV TECHNOLOGIES NEITHER THIS DESIGN NOR ANY INFORMATION CONTAINED IN THIS DRAWING MAY BE REPRODUCED OR DISCLOSED TO OTHERS WITHOUT THE EXPRESS WRITTEN CONSENT OF MILESTONE AV TECHNOLOGIES.