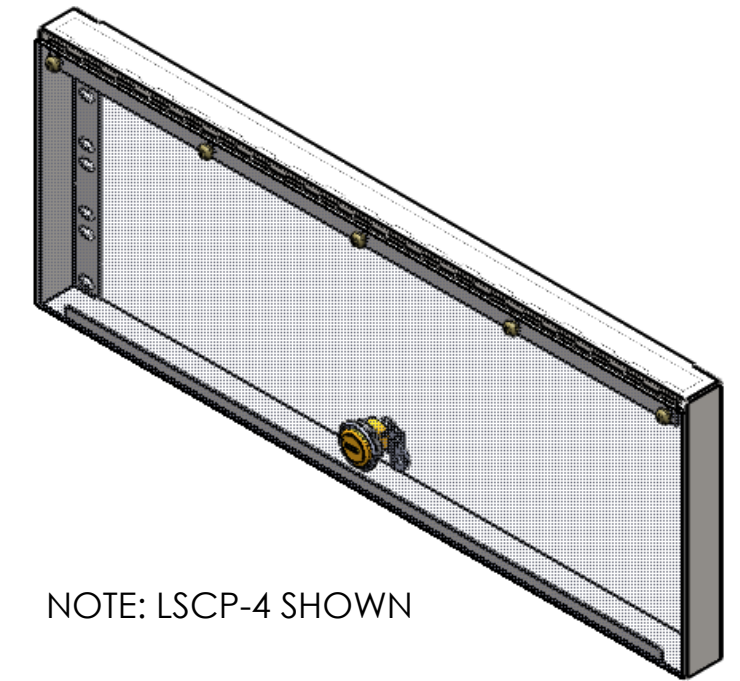
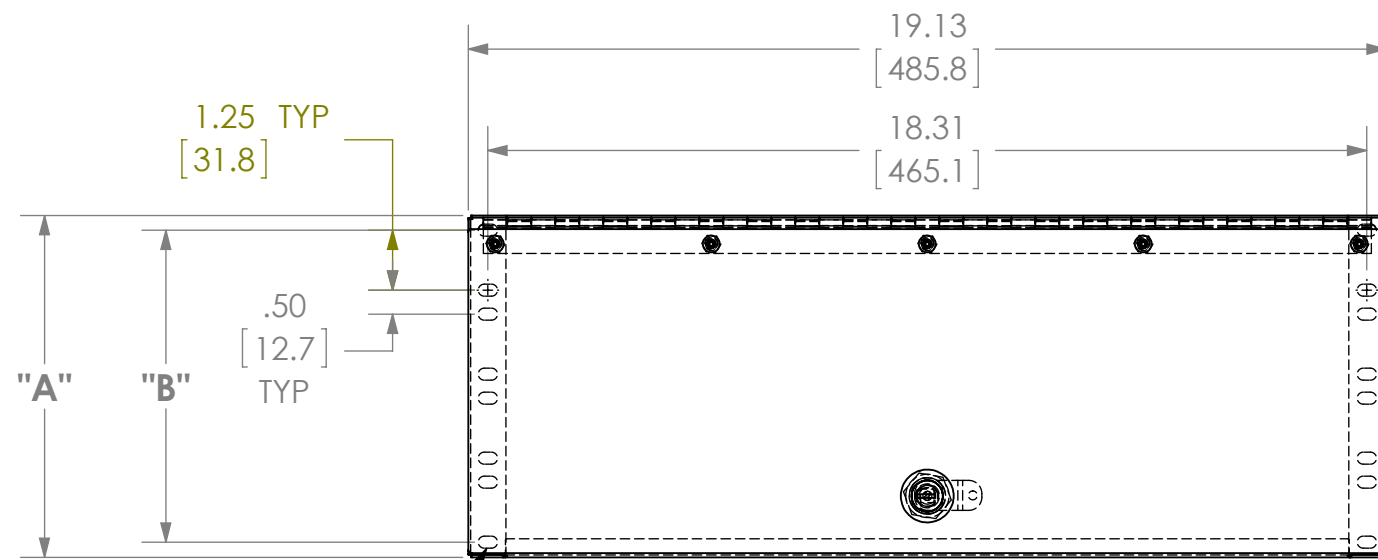


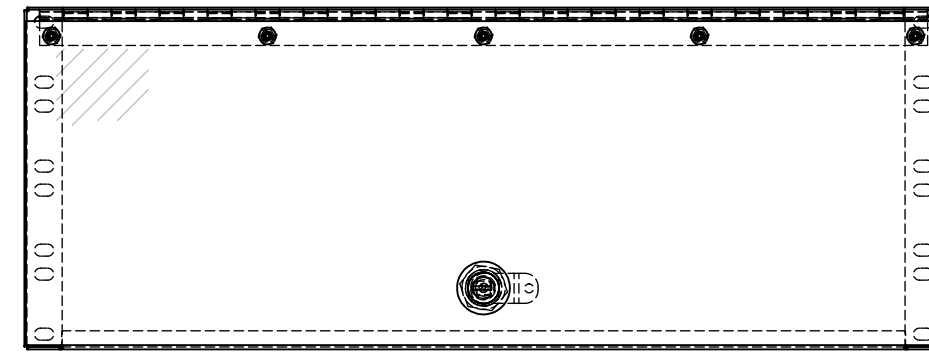
MODEL	RACK HEIGHT	DIMENSION "A"	DIMENSION "B"
LSC-2	2U	3.63 [92.2mm]	3.00 [76.2mm]
LSC-4	4U	7.13 [181.0mm]	6.50 [12.7mm]
LSC-8	8U	14.13 [358.9mm]	13.50 [342.9mm]
LSCF-2	2U	3.63 [92.2mm]	3.00 [76.2mm]
LSCF-4	4U	7.13 [181.0mm]	6.50 [12.7mm]
LSCF-8	8U	14.13 [358.9mm]	13.50 [342.9mm]
LSCP-2	2U	3.63 [92.2mm]	3.00 [76.2mm]
LSCP-4	4U	7.13 [181.0mm]	6.50 [12.7mm]
LSCP-8	8U	14.13 [358.9mm]	13.50 [342.9mm]



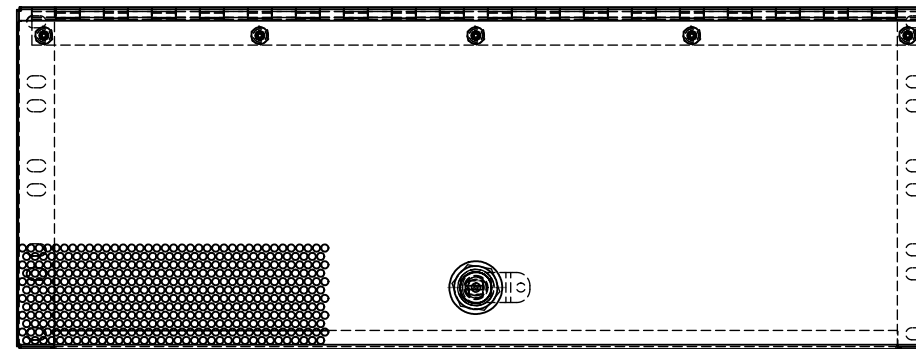
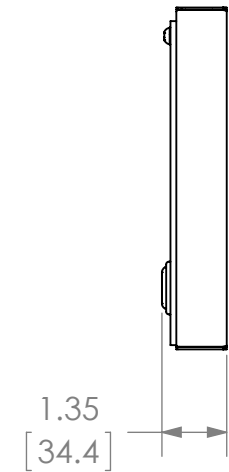
NOTE: LSCP-4 SHOWN



LSC STEEL SECURITY PANEL



LSCP PLEXIGLASS SECURITY PANEL



LSCF PERFERATED SECURITY PANEL



CHIEF MANUFACTURING
MOUNT ORDER NUMBER IS LSCX
PHONE: 1-800-582-6480

SHEET SCALE = 1:4

THE INFORMATION AND DESIGNS CONTAINED IN THIS DRAWING ARE CONFIDENTIAL AND THE PROPRIETARY PROPERTY OF MILESTONE AV TECHNOLOGIES. NEITHER THIS DESIGN NOR ANY INFORMATION CONTAINED IN THIS DRAWING MAY BE REPRODUCED OR DISCLOSED TO OTHERS WITHOUT THE EXPRESS WRITTEN CONSENT OF MILESTONE AV TECHNOLOGIES.



TITLE
**CUSTOMER PRINT
LSCX**

SIZE DWG. NO.
B LSCX

8401 EAGLE CREEK PKY
SUITE #700
SAVAGE, MN 55378
PHONE: 952-894-6280
FAX: 877-894-6918