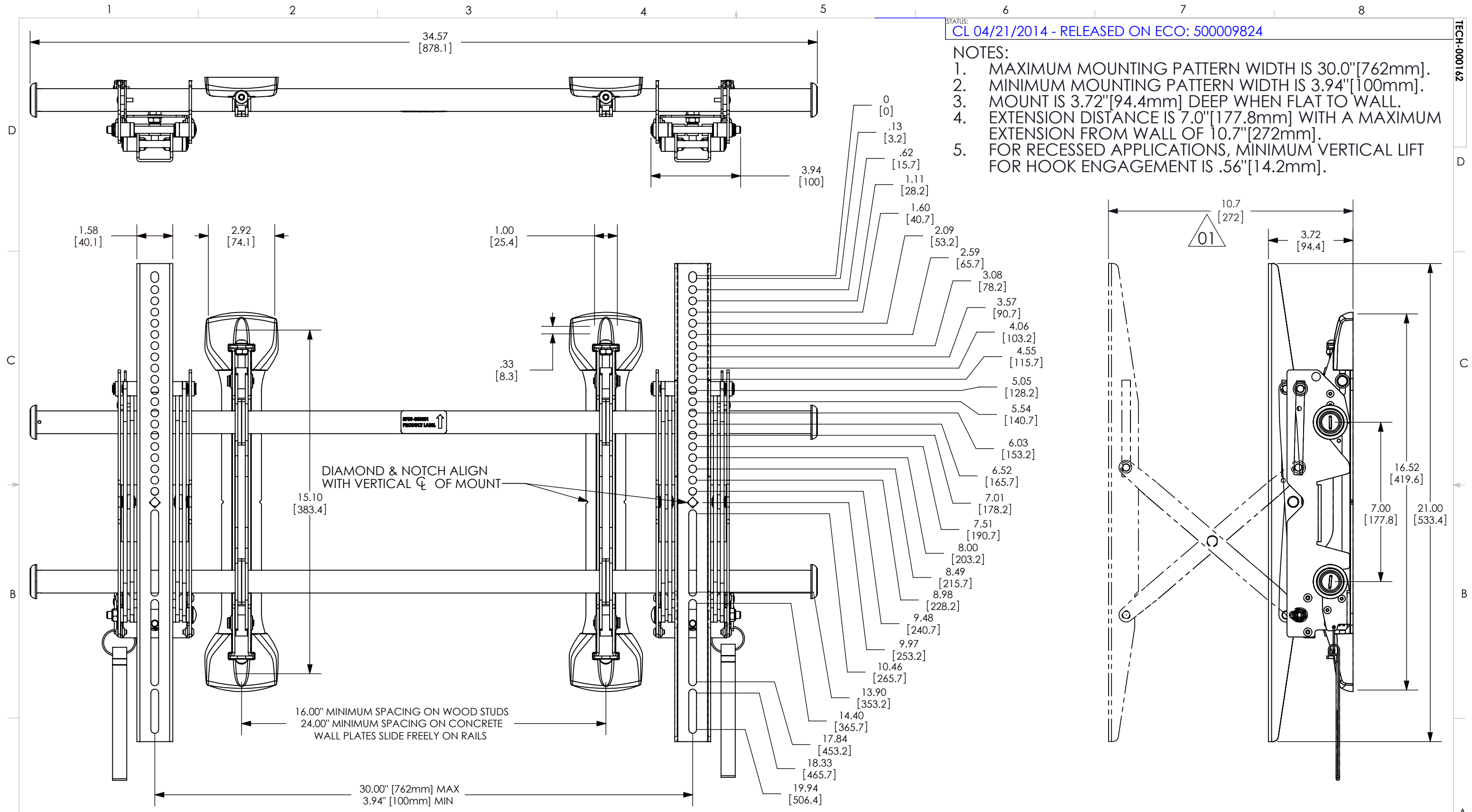


- NOTES:
1. MAXIMUM MOUNTING PATTERN WIDTH IS 30.0"[762mm].
 2. MINIMUM MOUNTING PATTERN WIDTH IS 3.94"[100mm].
 3. MOUNT IS 3.72"[94.4mm] DEEP WHEN FLAT TO WALL.
 4. EXTENSION DISTANCE IS 7.0"[177.8mm] WITH A MAXIMUM EXTENSION FROM WALL OF 10.7"[272mm].
 5. FOR RECESSED APPLICATIONS, MINIMUM VERTICAL LIFT FOR HOOK ENGAGEMENT IS .56"[14.2mm].



THE INFORMATION AND DESIGNS CONTAINED IN THIS DRAWING ARE CONFIDENTIAL AND THE PROPRIETARY PROPERTY OF MILESTONE AV TECHNOLOGIES NEITHER THIS DESIGN NOR ANY INFORMATION CONTAINED IN THIS DRAWING MAY BE REPRODUCED OR DISCLOSED TO OTHERS WITHOUT THE EXPRESS WRITTEN CONSENT OF MILESTONE AV TECHNOLOGIES.

CAD GENERATED DRAWING, DO NOT MANUALLY UPDATE.			6436 CITY WEST PKWY EDEN PRAIRIE MN, 55344 PHONE: 866-977-3901 FAX: 877-894-6918	
DRAWN BY	MW 9/3/2013		DESCRIPTION	
ENG APPROVAL		LSMVU		
MFG APPROVAL		MODEL NO.		
QA APPROVAL		LSMVU		
SHEET 1 OF 1	SCALE 1:4	SIZE B	DWG. NO. TECH-000162	REV. 01