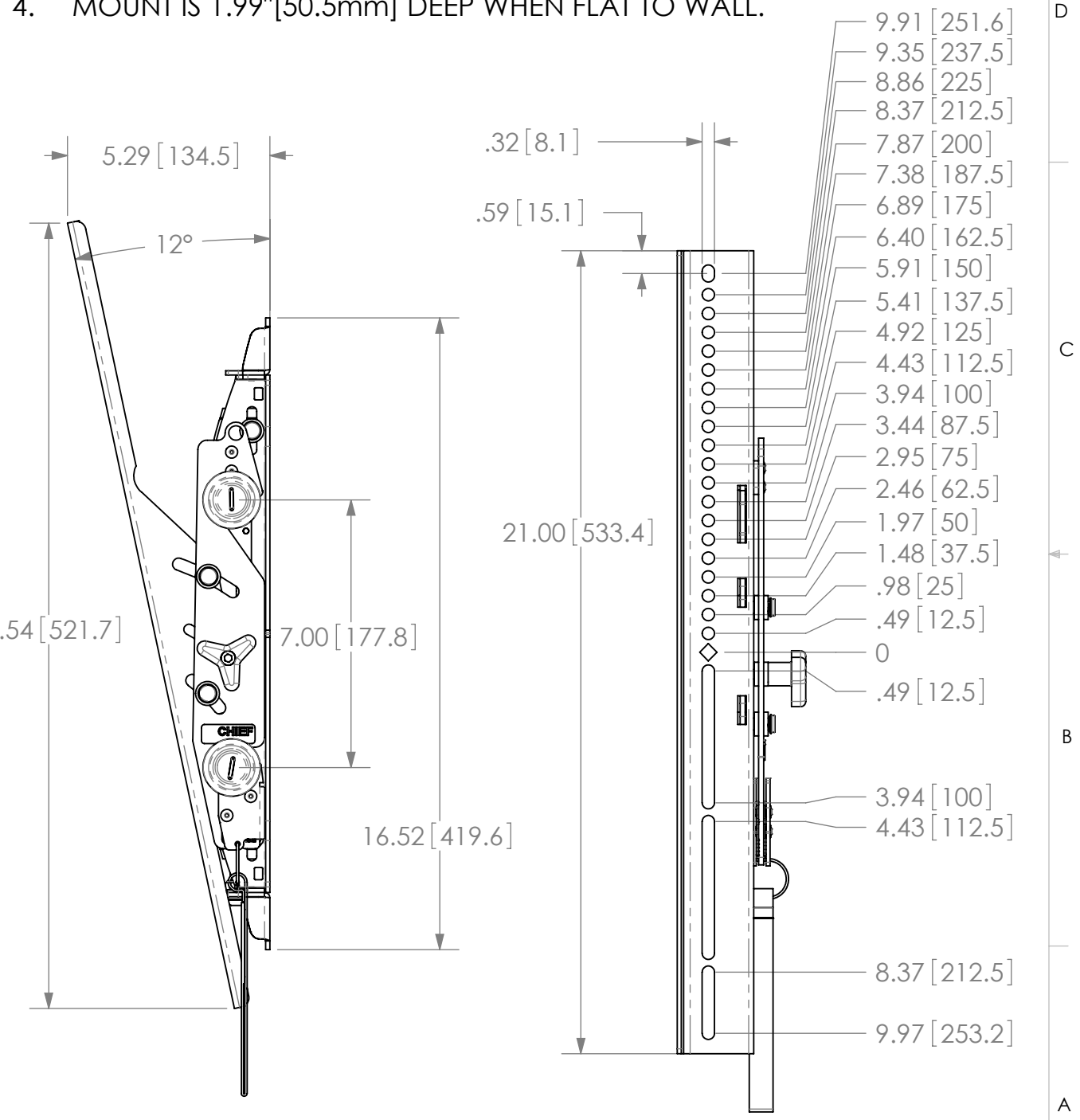


- NOTES:
1. MAXIMUM MOUNTING PATTERN IS 30.6"[777.2mm] WITHOUT REVERSING UPRIGHTS.
  2. MAXIMUM MOUNTING PATTERN IS 35.2"[894mm] WITH REVERSING UPRIGHTS.
  3. FOR RECESSED APPLICATIONS, MINIMUM VERTICAL LIFT FOR HOOK ENGAGEMENT IS .42"[10.7mm].
  4. MOUNT IS 1.99"[50.5mm] DEEP WHEN FLAT TO WALL.



RAILS CAN BE SLID LEFT OR RIGHT FOR OFFSET



**CHIEF MANUFACTURING INC.**  
 PRODUCT ORDER NUMBER IS: LTMU AND LTMXXXX  
 PHONE: 1-800-582-6480

SHEET SCALE = 1:4

THE INFORMATION AND DESIGNS CONTAINED IN THIS DRAWING ARE CONFIDENTIAL AND THE PROPRIETARY PROPERTY OF MILESTONE AV TECHNOLOGIES NEITHER THIS DESIGN NOR ANY INFORMATION CONTAINED IN THIS DRAWING MAY BE REPRODUCED OR DISCLOSED TO OTHERS WITHOUT THE EXPRESS WRITTEN CONSENT OF MILESTONE AV TECHNOLOGIES.

**CHIEF**  
 8401 EAGLE CREEK PKY  
 SUITE #700  
 SAVAGE, MN 55378  
 PHONE: 952-894-6280  
 FAX: 877-894-6918

TITLE  
**CUSTOMER PRINT**  
**LTMU AND LTMXXXX**

SIZE DWG. NO.  
**B LTMU AND LTMXXXX**

LTMU AND LTMXXXX  
 D  
 C  
 B  
 A