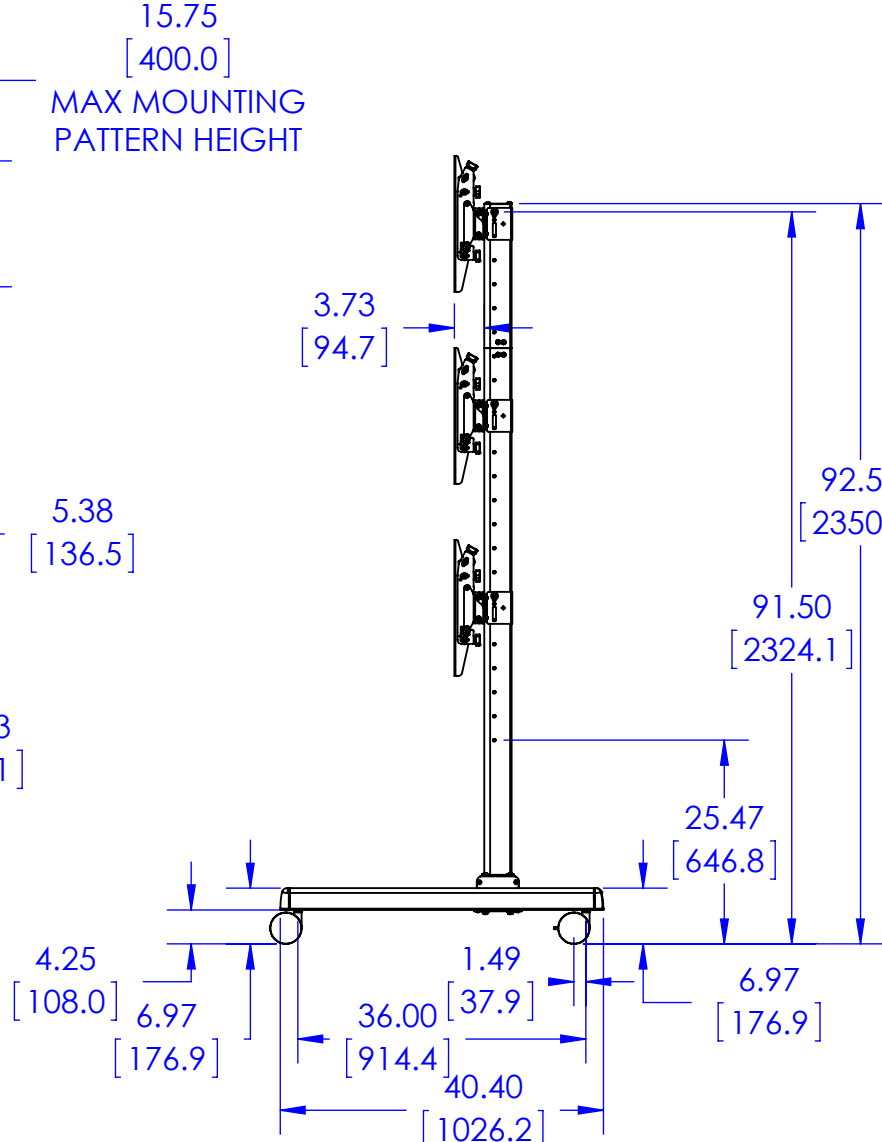
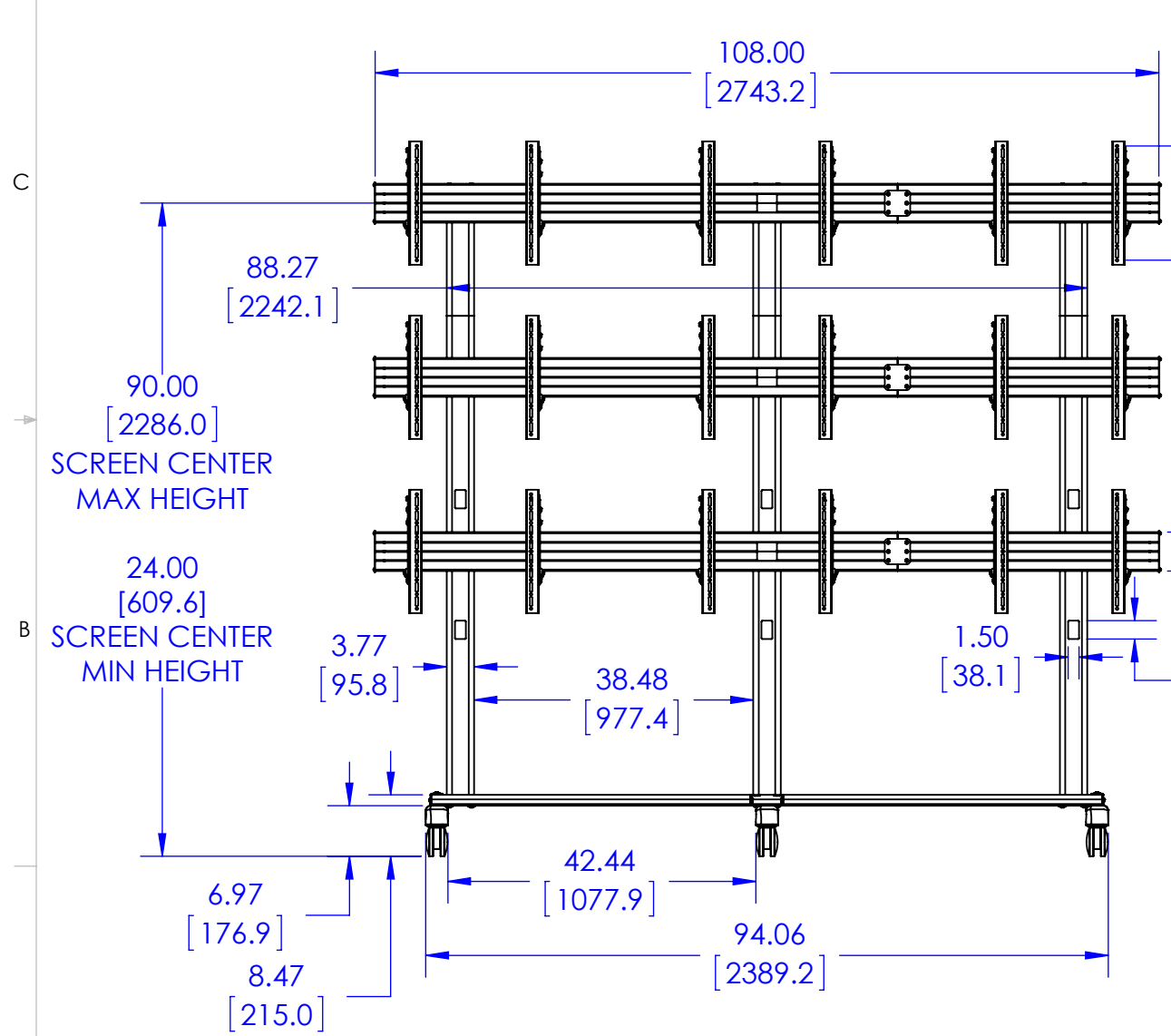
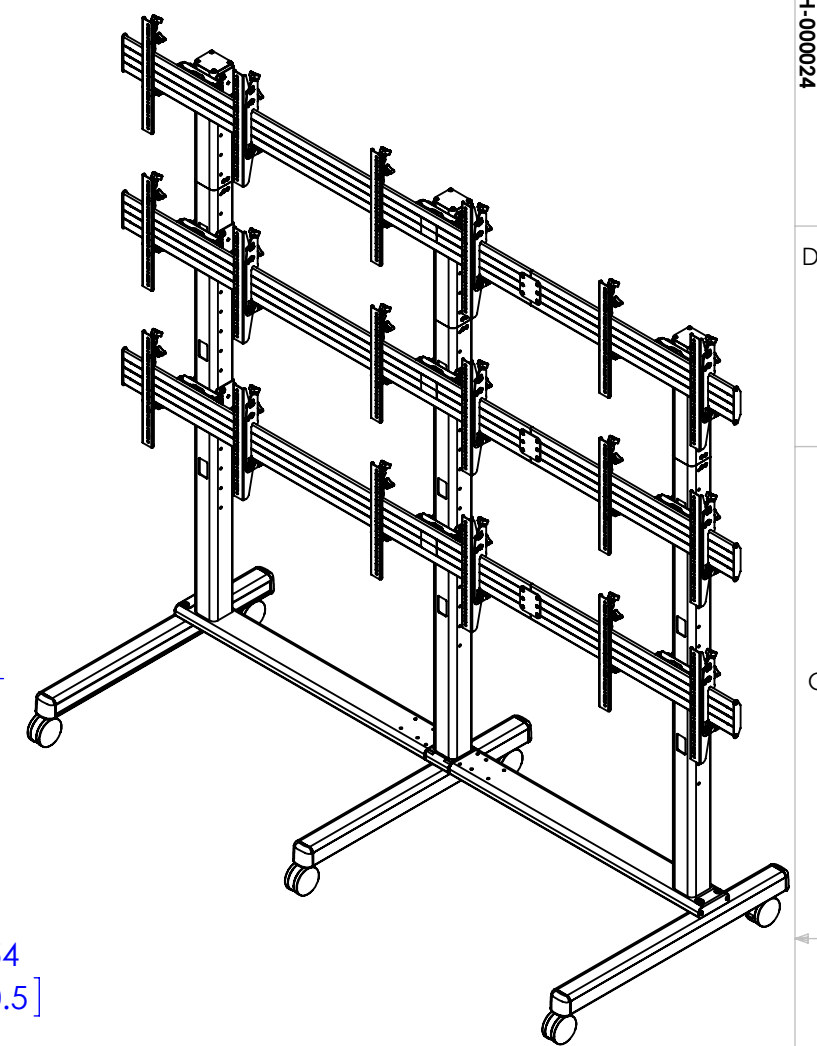
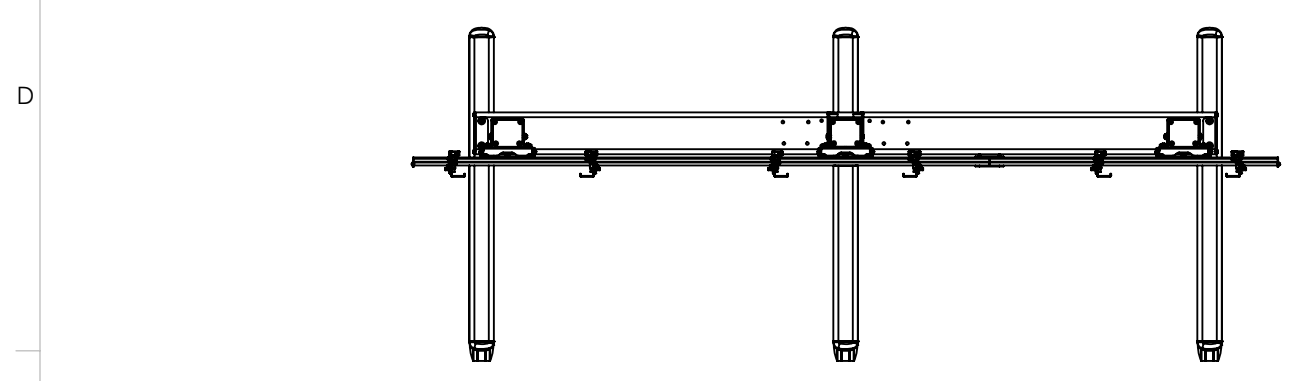


**MAX WEIGHT:
100 LBS PER DISPLAY
900 LBS TOTAL**

STATUS: MJS 06/22/2012 - RELEASED ON ECO: 500006138

TECH-000024



THE INFORMATION AND DESIGNS CONTAINED IN THIS DRAWING ARE CONFIDENTIAL AND THE PROPRIETARY PROPERTY OF MILESTONE AV TECHNOLOGIES NEITHER THIS DESIGN NOR ANY INFORMATION CONTAINED IN THIS DRAWING MAY BE REPRODUCED OR DISCLOSED TO OTHERS WITHOUT THE EXPRESS WRITTEN CONSENT OF MILESTONE AV TECHNOLOGIES.

CAD GENERATED DRAWING, DO NOT MANUALLY UPDATE.			CHIEF 6436 CITY WEST PKWY EDEN PRAIRIE MN, 55344 PHONE: 866-977-3901 FAX: 877-894-6918	
DRAWN BY	MJS	3/22/2012	DESCRIPTION LVM3X3U, FUSION 3X3 VIDEO WALL CART	
ENG APPROVAL	MJS	3/22/2012	MODEL NO. LVM3X3U	
MFG APPROVAL			SCALE 1:24	
QA APPROVAL			SIZE B	DWG. NO. TECH-000024
SHEET 1 OF 1			REV. 02	