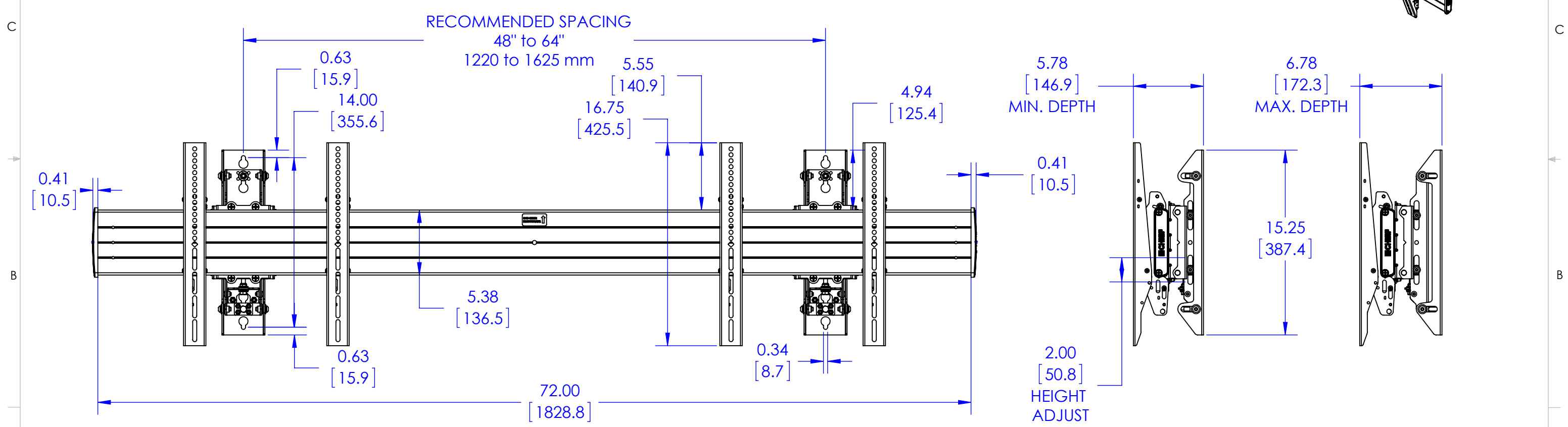


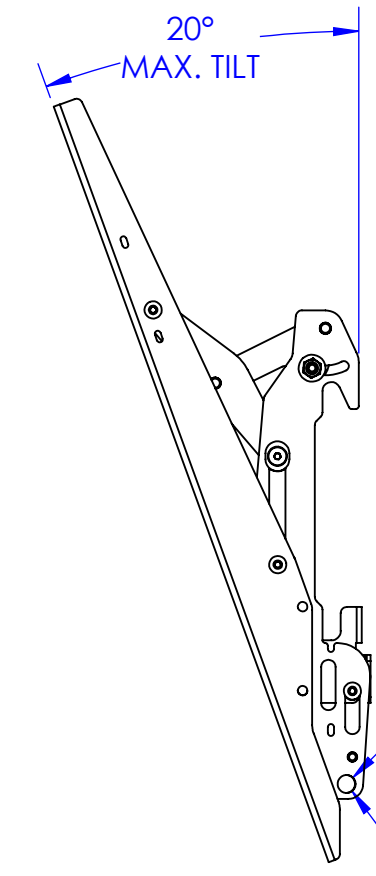
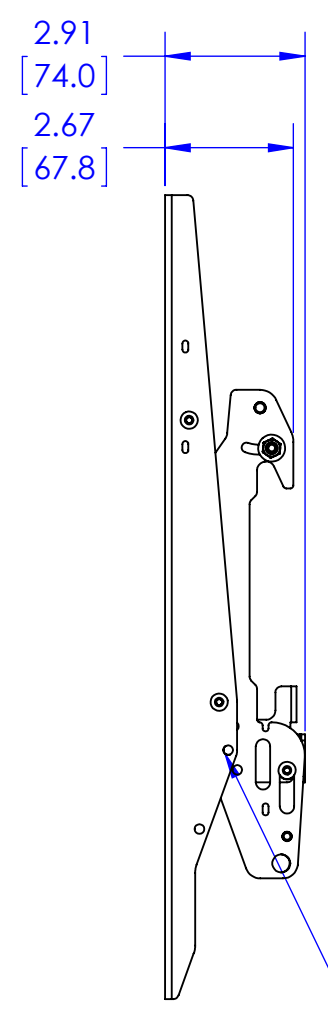
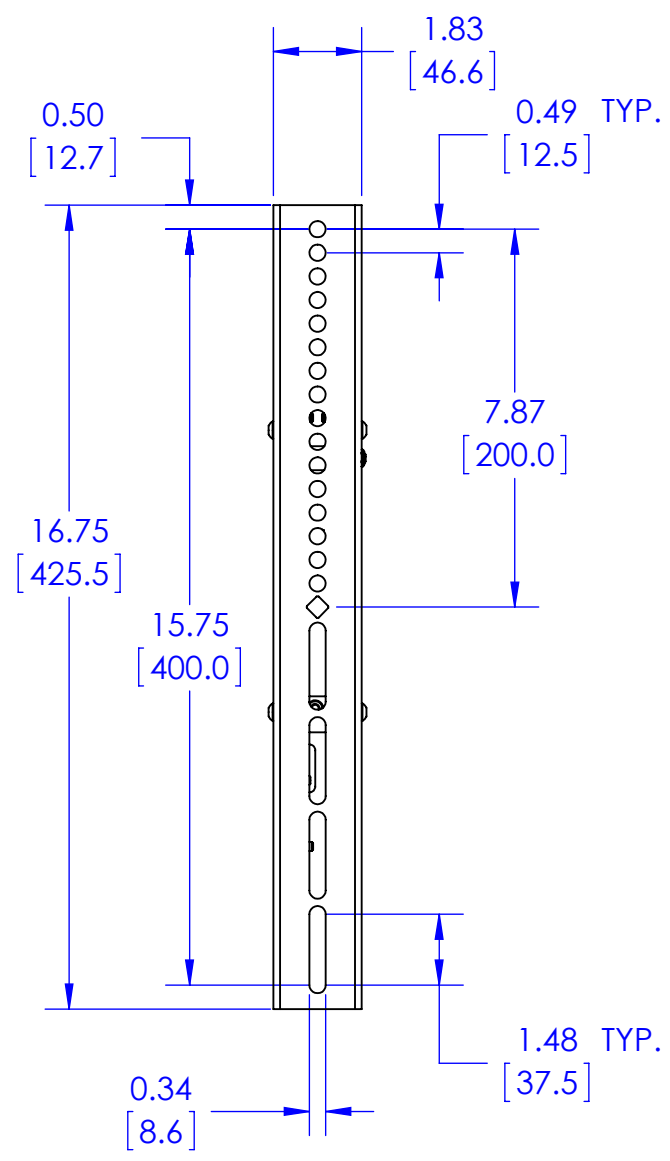
**MOUNT SHOWN WITH HEIGHT ADJUST CENTERED**



2 WIDE LANDSCAPE					
EXTRUSION LENGTH (IN.)	MINIMUM SCREEN WIDTH TO HIDE BAR (IN.)	MOUNTING PATTERN WIDTH (mm)	DISTANCE BETWEEN SCREENS (IN.)	MAX SCREEN WIDTH (IN.)	TOTAL SCREEN WIDTH (IN.)
72	36.5	600	0.0625	46.25	92.63
		400		54.13	108.25
		300		58.06	116.13
		200		62.00	124.00

THE INFORMATION AND DESIGNS CONTAINED IN THIS DRAWING ARE CONFIDENTIAL AND THE PROPRIETARY PROPERTY OF MILESTONE AV TECHNOLOGIES NEITHER THIS DESIGN NOR ANY INFORMATION CONTAINED IN THIS DRAWING MAY BE REPRODUCED OR DISCLOSED TO OTHERS WITHOUT THE EXPRESS WRITTEN CONSENT OF MILESTONE AV TECHNOLOGIES.

CAD GENERATED DRAWING, DO NOT MANUALLY UPDATE.			6436 CITY WEST PKWY EDEN PRAIRIE MN, 55344 PHONE: 866-977-3901 FAX: 877-894-6918	
DRAWN BY	JAB	4/1/2015		
ENG APPROVAL			DESCRIPTION <b>MENU-BOARD, SIDE BY SIDE, LANDSCAPE</b>	
MFG APPROVAL				
QA APPROVAL			MODEL NO. <b>LWM2X1U</b>	
SHEET 1 OF 2				
			SIZE	B
			DWG. NO.	TECH-000704
			REV.	00



TILT LOCKOUTS AT 0°, 10°, AND 20°

HOLE FOR PADLOCK

THE INFORMATION AND DESIGNS CONTAINED IN THIS DRAWING ARE CONFIDENTIAL AND THE PROPRIETARY PROPERTY OF MILESTONE AV TECHNOLOGIES NEITHER THIS DESIGN NOR ANY INFORMATION CONTAINED IN THIS DRAWING MAY BE REPRODUCED OR DISCLOSED TO OTHERS WITHOUT THE EXPRESS WRITTEN CONSENT OF MILESTONE AV TECHNOLOGIES.

CAD GENERATED DRAWING, DO NOT MANUALLY UPDATE.			6436 CITY WEST PKWY EDEN PRAIRIE MN, 55344 PHONE: 866-977-3901 FAX: 877-894-6918	
DRAWN BY	JAB	4/1/2015	DESCRIPTION <b>MENU-BOARD, SIDE BY SIDE, LANDSCAPE</b>	
ENG APPROVAL			MODEL NO. <b>LWM2X1U</b>	
MFG APPROVAL			SIZE DWG. NO. <b>B TECH-000704</b>	
QA APPROVAL			REV. <b>00</b>	
SHEET 2 OF 2			SCALE <b>1:8</b>	