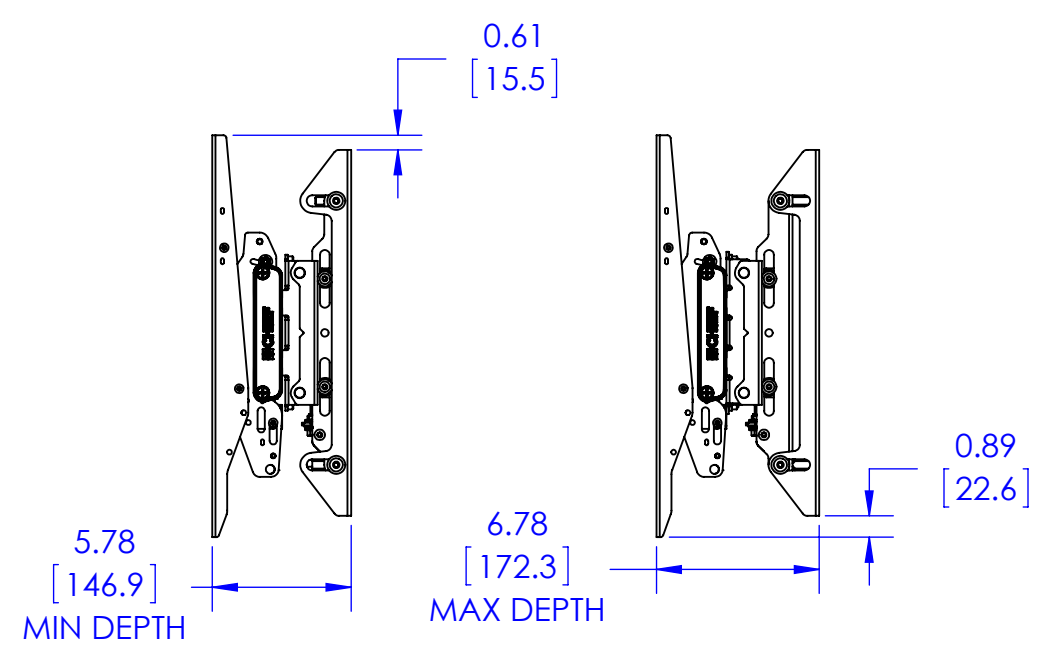
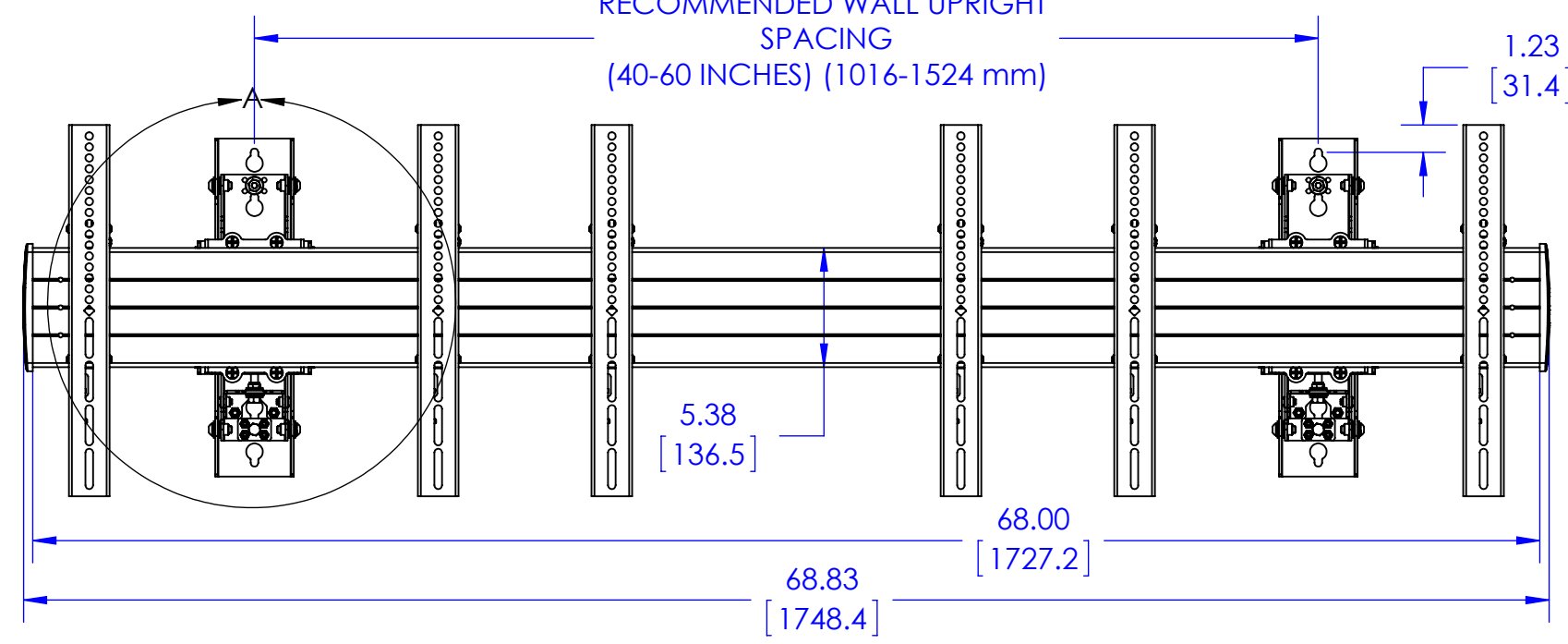


RECOMMENDED WALL UPRIGHT SPACING (40-60 INCHES) (1016-1524 mm)

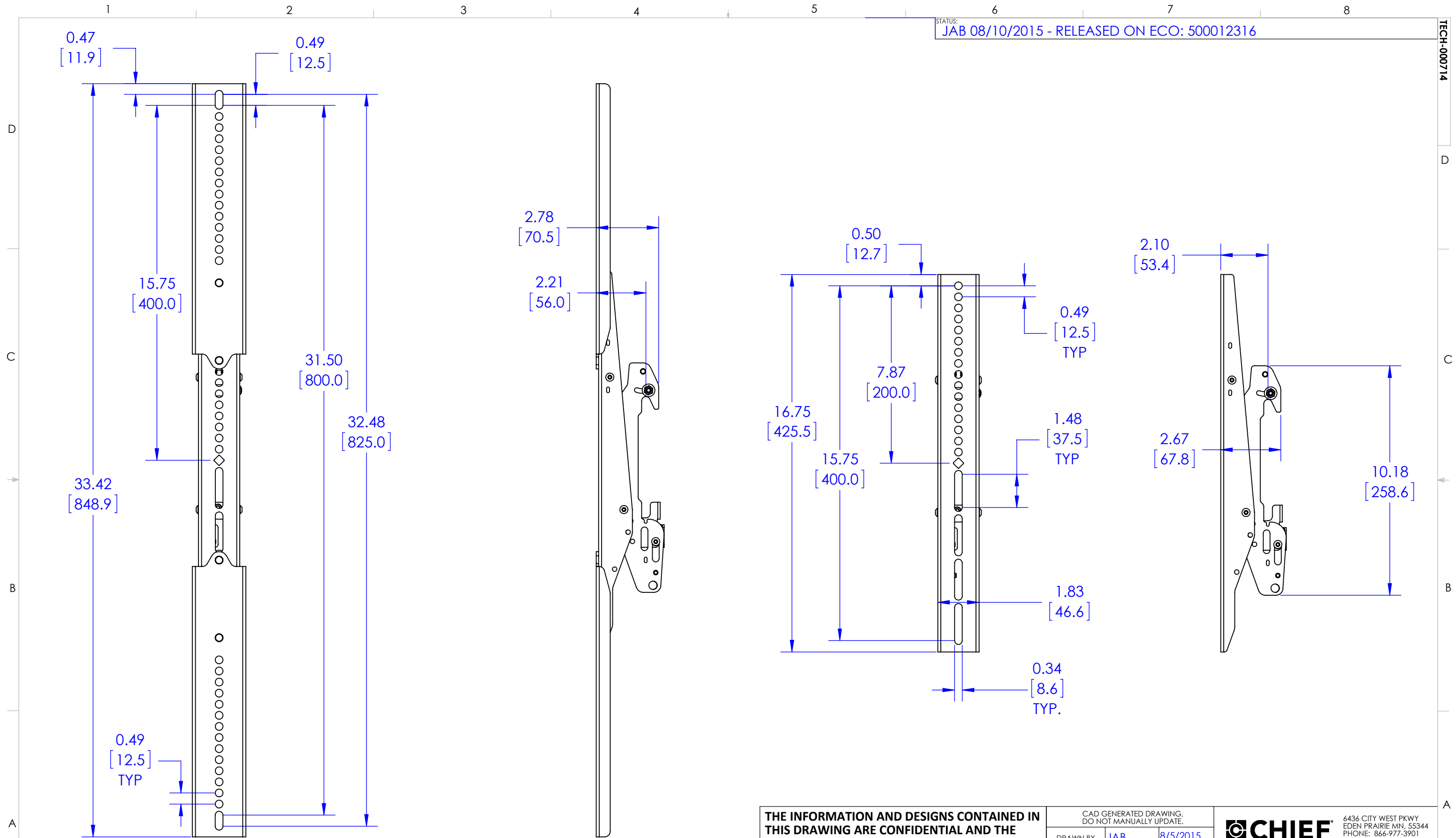


3 WIDE PORTRAIT

EXTRUSION LENGTH (IN.)	MINIMUM SCREEN HEIGHT TO HIDE BAR (IN.)	MOUNTING PATTERN HEIGHT (mm)	DISTANCE BETWEEN SCREENS (IN.)	MAX SCREEN HEIGHT (IN.)	TOTAL SCREEN WIDTH (IN.)
68	22.33	600	0.0625	21.13	63.50
		400		25.06	75.19
		300		27.03	81.10
		200		29.00	87.00

THE INFORMATION AND DESIGNS CONTAINED IN THIS DRAWING ARE CONFIDENTIAL AND THE PROPRIETARY PROPERTY OF MILESTONE AV TECHNOLOGIES NEITHER THIS DESIGN NOR ANY INFORMATION CONTAINED IN THIS DRAWING MAY BE REPRODUCED OR DISCLOSED TO OTHERS WITHOUT THE EXPRESS WRITTEN CONSENT OF MILESTONE AV TECHNOLOGIES.

CAD GENERATED DRAWING, DO NOT MANUALLY UPDATE.				6436 CITY WEST PKWY EDEN PRAIRIE, MN, 55344 PHONE: 866-977-3901 FAX: 877-894-6918	
DRAWN BY	JAB	8/5/2015		DESCRIPTION MENU-BOARD, WALL MOUNTED, 3 WIDE, PORTRAIT	
ENG APPROVAL			MODEL NO. LWM3X1UP		
MFG APPROVAL			SIZE DWG. NO. B TECH-000714		
QA APPROVAL			REV. 00		
SHEET 1 OF 3			SCALE 1:12		

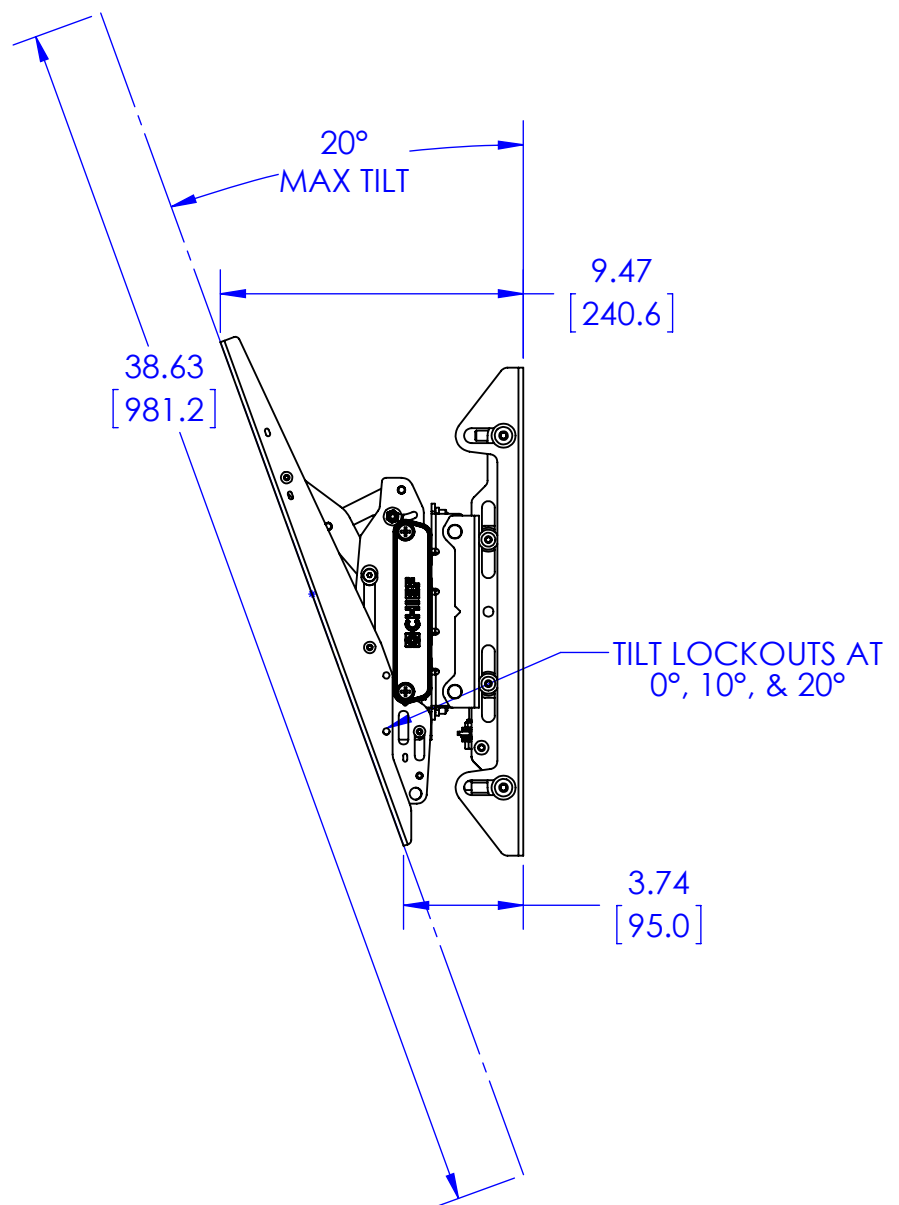


**SHOWN WITH FHB5078
800 mm ADAPTER
INCLUDED WITH LWM3X1UP**

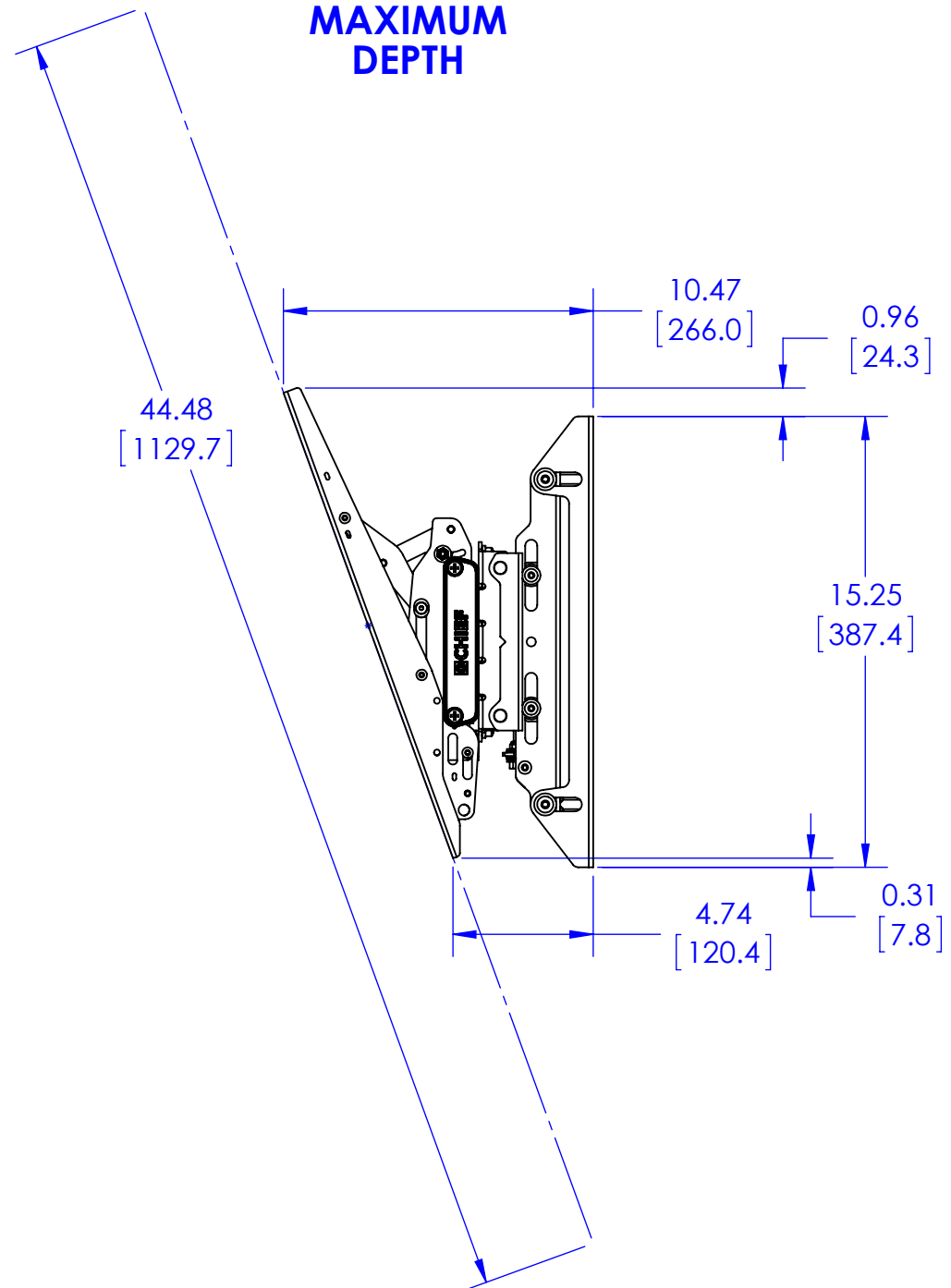
THE INFORMATION AND DESIGNS CONTAINED IN THIS DRAWING ARE CONFIDENTIAL AND THE PROPRIETARY PROPERTY OF MILESTONE AV TECHNOLOGIES NEITHER THIS DESIGN NOR ANY INFORMATION CONTAINED IN THIS DRAWING MAY BE REPRODUCED OR DISCLOSED TO OTHERS WITHOUT THE EXPRESS WRITTEN CONSENT OF MILESTONE AV TECHNOLOGIES.

CAD GENERATED DRAWING, DO NOT MANUALLY UPDATE.			6436 CITY WEST PKWY EDEN PRAIRIE MN, 55344 PHONE: 866-977-3901 FAX: 877-894-6918
DRAWN BY	JAB	8/5/2015	
ENG APPROVAL			DESCRIPTION MENU-BOARD, WALL MOUNTED, 3 WIDE, PORTRAIT
MFG APPROVAL			
QA APPROVAL			
SHEET 2 OF 3			MODEL NO. LWM3X1UP
SCALE	1:8	SIZE	DWG. NO. TECH-000714
		REV.	00


MINIMUM DEPTH



MAXIMUM DEPTH



THE INFORMATION AND DESIGNS CONTAINED IN THIS DRAWING ARE CONFIDENTIAL AND THE PROPRIETARY PROPERTY OF MILESTONE AV TECHNOLOGIES NEITHER THIS DESIGN NOR ANY INFORMATION CONTAINED IN THIS DRAWING MAY BE REPRODUCED OR DISCLOSED TO OTHERS WITHOUT THE EXPRESS WRITTEN CONSENT OF MILESTONE AV TECHNOLOGIES.

CAD GENERATED DRAWING, DO NOT MANUALLY UPDATE.			 6436 CITY WEST PKWY EDEN PRAIRIE MN, 55344 PHONE: 866-977-3901 FAX: 877-894-6918		
DRAWN BY	JAB	8/5/2015			
ENG APPROVAL			DESCRIPTION MENU-BOARD, WALL MOUNTED, 3 WIDE, PORTRAIT		
MFG APPROVAL					
QA APPROVAL			MODEL NO. LWM3X1UP		
SHEET 3 OF 3		SCALE 1:12	SIZE B	DWG. NO. TECH-000714	REV. 00