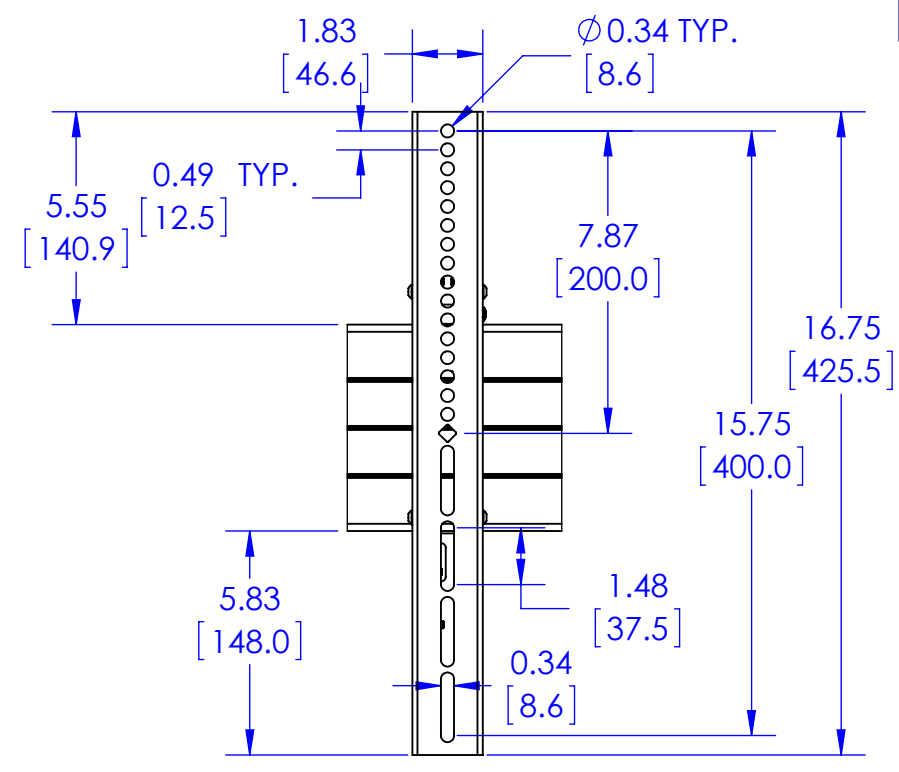


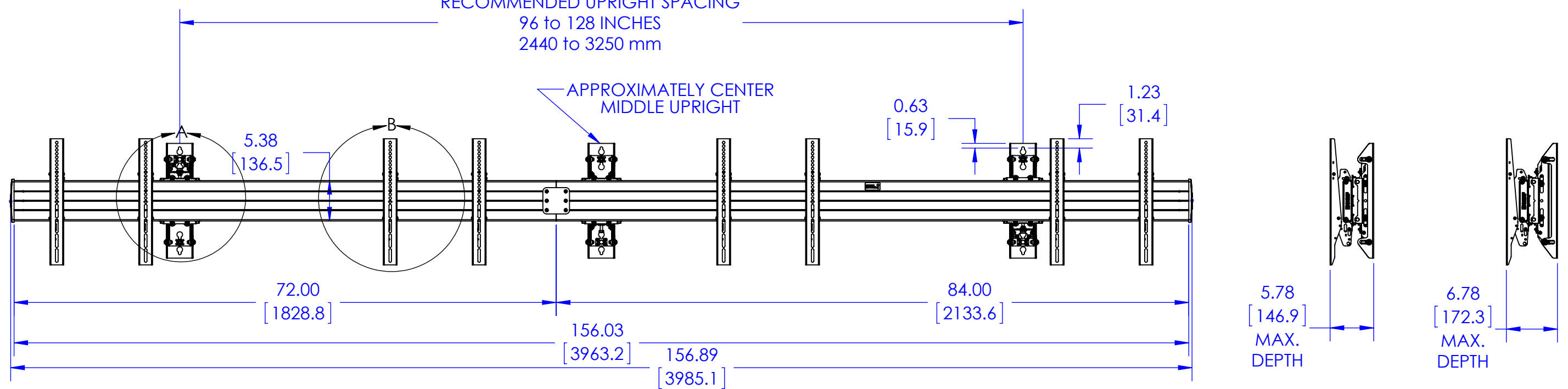
DETAIL A
SCALE 1 : 5



DETAIL B
SCALE 1 : 5

MOUNT IS SHOWN WITH HEIGHT ADJUST CENTERED

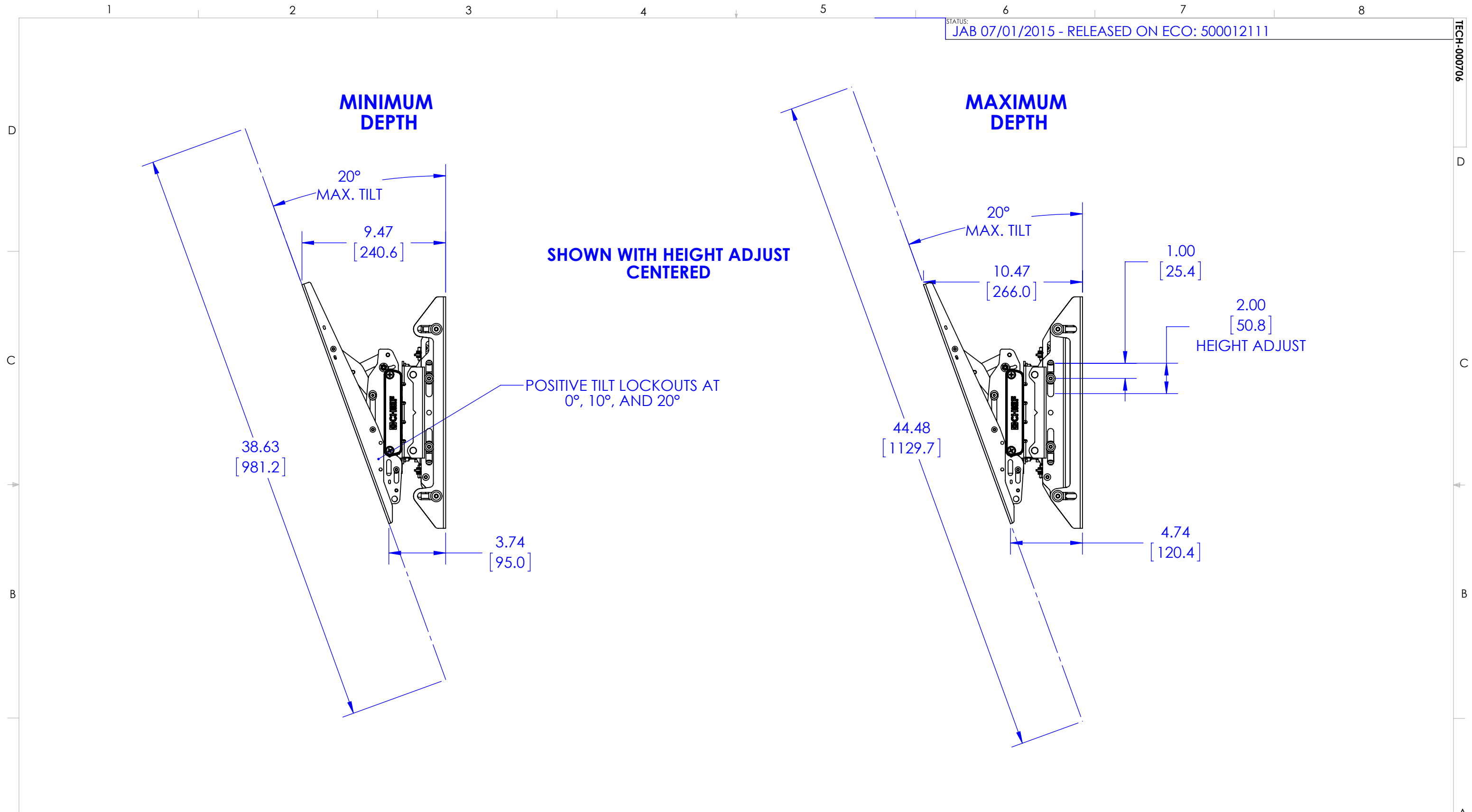
RECOMMENDED UPRIGHT SPACING
96 to 128 INCHES
2440 to 3250 mm



4 WIDE LANDSCAPE					
EXTRUSION LENGTH (IN.)	MINIMUM SCREEN WIDTH TO HIDE BAR (IN.)	MOUNTING PATTERN WIDTH (mm)	DISTANCE BETWEEN SCREENS (IN.)	MAX SCREEN WIDTH (IN.)	TOTAL SCREEN WIDTH (IN.)
156	39.25	600	0.0625	43.40	173.77
		400		46.02	184.09
		300		47.33	189.34
		200		48.65	194.58

THE INFORMATION AND DESIGNS CONTAINED IN THIS DRAWING ARE CONFIDENTIAL AND THE PROPRIETARY PROPERTY OF MILESTONE AV TECHNOLOGIES NEITHER THIS DESIGN NOR ANY INFORMATION CONTAINED IN THIS DRAWING MAY BE REPRODUCED OR DISCLOSED TO OTHERS WITHOUT THE EXPRESS WRITTEN CONSENT OF MILESTONE AV TECHNOLOGIES.

CAD GENERATED DRAWING, DO NOT MANUALLY UPDATE.				6436 CITY WEST PKWY EDEN PRAIRIE MN, 55344 PHONE: 866-977-3901 FAX: 877-894-6918	
DRAWN BY	JAB	4/14/2015		DESCRIPTION MENU BOARD, WALL MOUNTED, 4 WIDE, LANDSCAPE	
ENG APPROVAL			MODEL NO. LWM4X1U		
MFG APPROVAL			REV. 00		
QA APPROVAL			SCALE 1:24		
SHEET 1 OF 2			SIZE B	DWG. NO. TECH-000706	



THE INFORMATION AND DESIGNS CONTAINED IN THIS DRAWING ARE CONFIDENTIAL AND THE PROPRIETARY PROPERTY OF MILESTONE AV TECHNOLOGIES NEITHER THIS DESIGN NOR ANY INFORMATION CONTAINED IN THIS DRAWING MAY BE REPRODUCED OR DISCLOSED TO OTHERS WITHOUT THE EXPRESS WRITTEN CONSENT OF MILESTONE AV TECHNOLOGIES.

CAD GENERATED DRAWING, DO NOT MANUALLY UPDATE.			<p>6436 CITY WEST PKWY EDEN PRAIRIE MN, 55344 PHONE: 866-977-3901 FAX: 877-894-6918</p>
DRAWN BY	JAB	4/14/2015	
ENG APPROVAL			DESCRIPTION
MFG APPROVAL			MENU BOARD, WALL MOUNTED, 4 WIDE, LANDSCAPE
QA APPROVAL			MODEL NO.
SHEET 2 OF 2			LWM4X1U
SCALE	1:24	SIZE	DWG. NO.
		B	TECH-000706
			REV.
			00