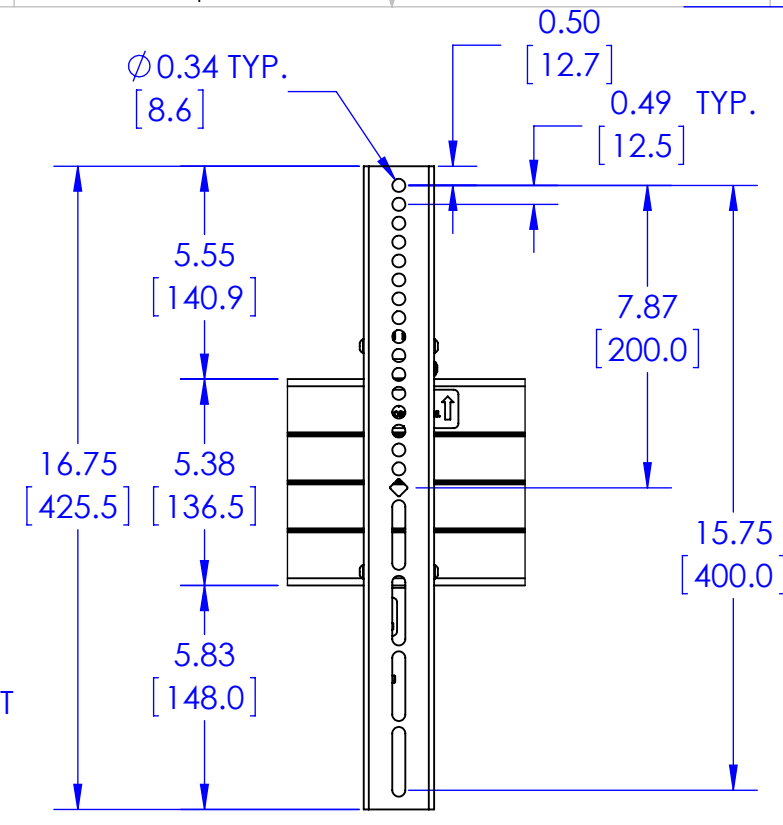
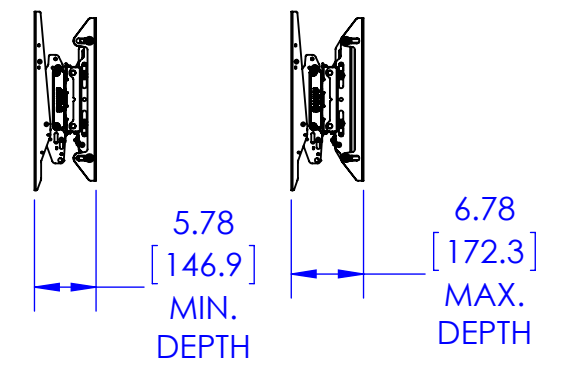
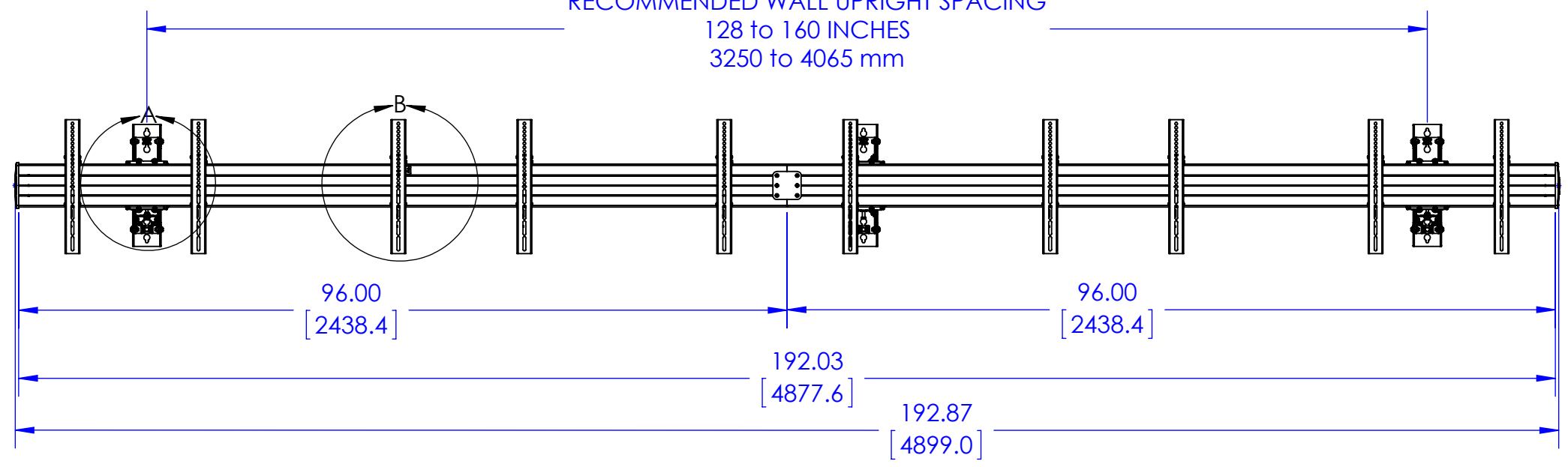


DETAIL A
SCALE 1 : 5



DETAIL B
SCALE 1 : 5

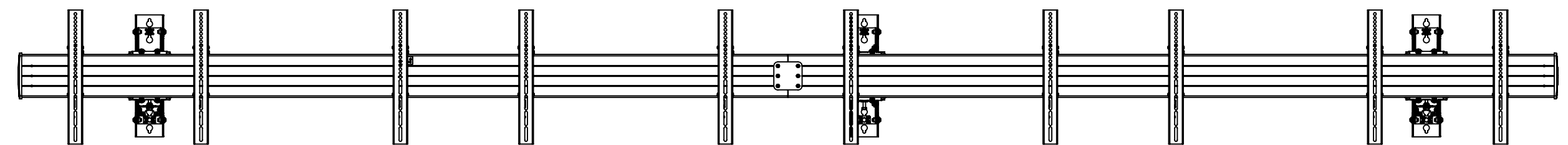
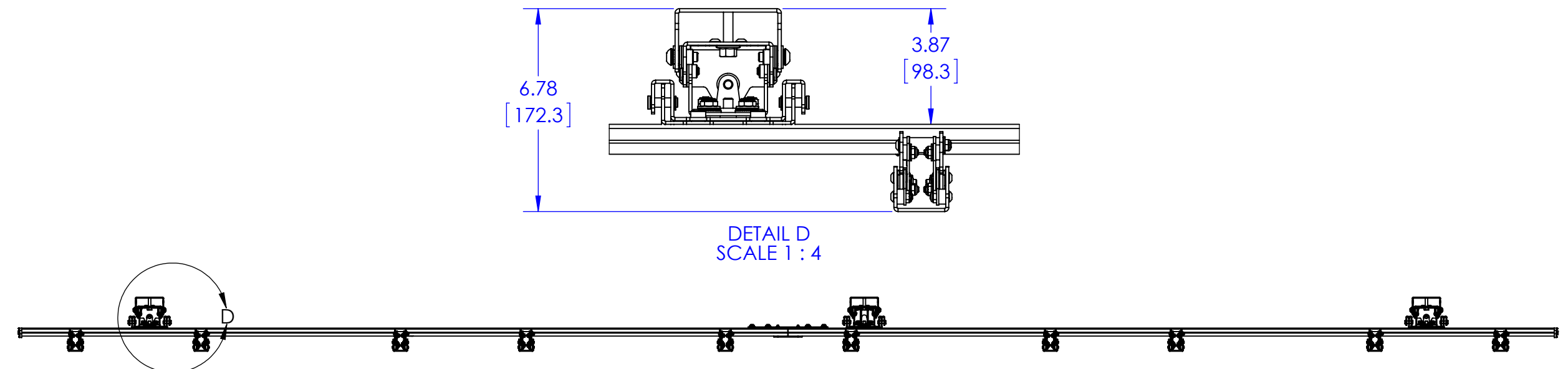
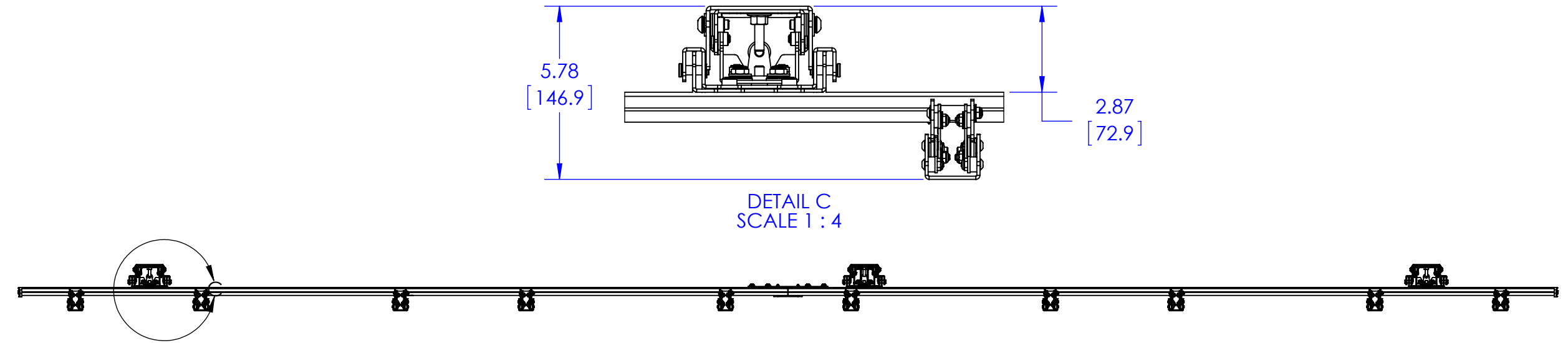
RECOMMENDED WALL UPRIGHT SPACING
128 to 160 INCHES
3250 to 4065 mm



5 WIDE LANDSCAPE					
EXTRUSION LENGTH (IN.)	MINIMUM SCREEN WIDTH TO HIDE BAR (IN.)	MOUNTING PATTERN WIDTH (mm)	DISTANCE BETWEEN SCREENS (IN.)	MAX SCREEN WIDTH (IN.)	TOTAL SCREEN WIDTH (IN.)
192	38.6	600	0.0625	41.55	208.00
		400		43.52	217.58
		300		44.50	222.50
		200		45.48	227.42

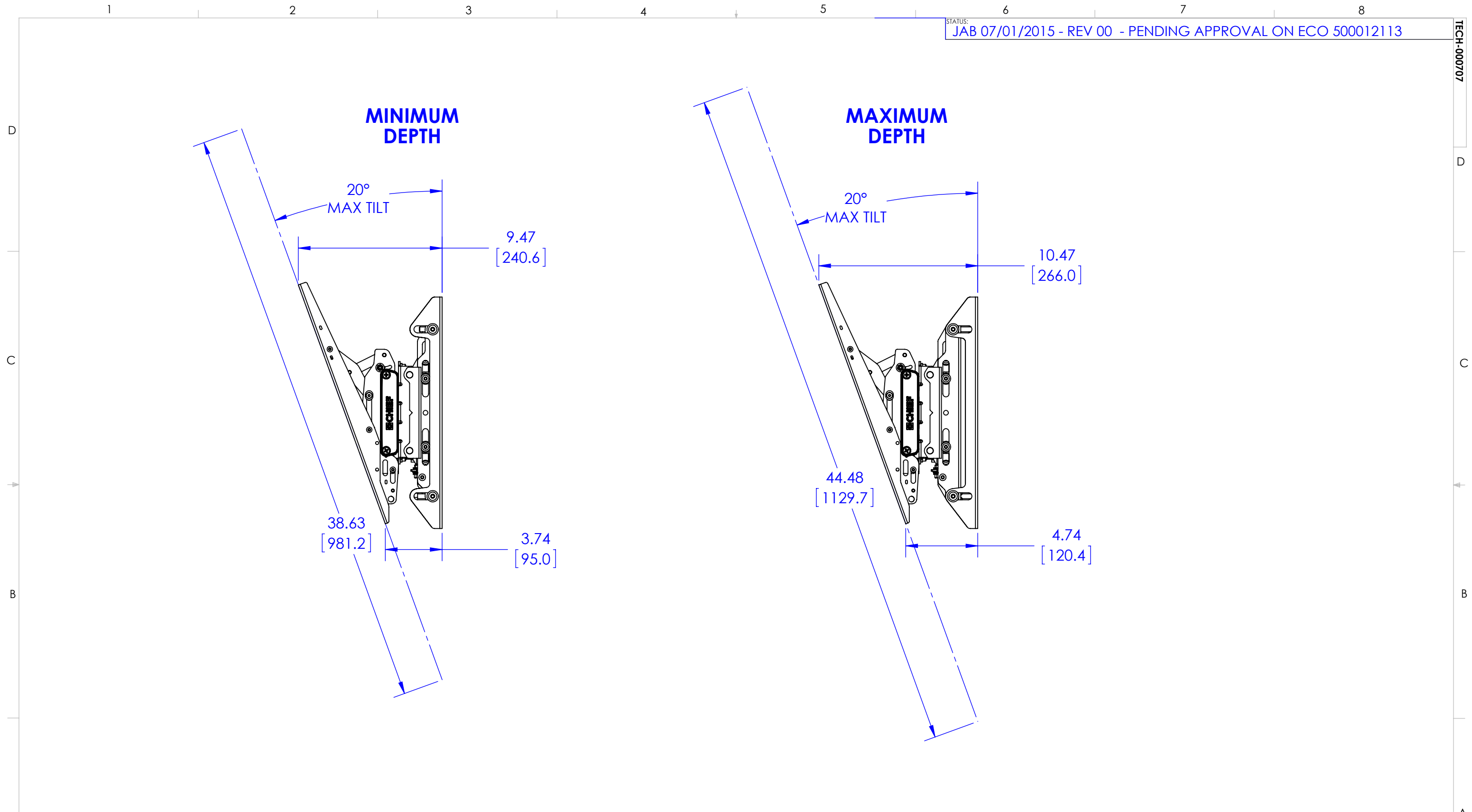
THE INFORMATION AND DESIGNS CONTAINED IN THIS DRAWING ARE CONFIDENTIAL AND THE PROPRIETARY PROPERTY OF MILESTONE AV TECHNOLOGIES NEITHER THIS DESIGN NOR ANY INFORMATION CONTAINED IN THIS DRAWING MAY BE REPRODUCED OR DISCLOSED TO OTHERS WITHOUT THE EXPRESS WRITTEN CONSENT OF MILESTONE AV TECHNOLOGIES.

CAD GENERATED DRAWING, DO NOT MANUALLY UPDATE.				6436 CITY WEST PKWY EDEN PRAIRIE MN, 55344 PHONE: 866-977-3901 FAX: 877-894-6918	
DRAWN BY	JAB	5/20/2015		DESCRIPTION MENU-BOARD, WALL MOUNTED, 5 WIDE, LANDSCAPE	
ENG APPROVAL			MODEL NO. LWM5X1U		
MFG APPROVAL			SIZE DWG. NO. B TECH-000707		
QA APPROVAL			REV.		
SHEET 1 OF 3			SCALE 1:24		



THE INFORMATION AND DESIGNS CONTAINED IN THIS DRAWING ARE CONFIDENTIAL AND THE PROPRIETARY PROPERTY OF MILESTONE AV TECHNOLOGIES NEITHER THIS DESIGN NOR ANY INFORMATION CONTAINED IN THIS DRAWING MAY BE REPRODUCED OR DISCLOSED TO OTHERS WITHOUT THE EXPRESS WRITTEN CONSENT OF MILESTONE AV TECHNOLOGIES.

CAD GENERATED DRAWING, DO NOT MANUALLY UPDATE.			<p>6436 CITY WEST PKWY EDEN PRAIRIE MN, 55344 PHONE: 866-977-3901 FAX: 877-894-6918</p>
DRAWN BY	JAB	5/20/2015	
ENG APPROVAL			DESCRIPTION
MFG APPROVAL			MENU-BOARD, WALL MOUNTED, 5 WIDE, LANDSCAPE
QA APPROVAL			MODEL NO.
SHEET 2 OF 3			LWM5X1U
SCALE		1:24	SIZE
		B	DWG. NO.
			TECH-000707
			REV.



THE INFORMATION AND DESIGNS CONTAINED IN THIS DRAWING ARE CONFIDENTIAL AND THE PROPRIETARY PROPERTY OF MILESTONE AV TECHNOLOGIES NEITHER THIS DESIGN NOR ANY INFORMATION CONTAINED IN THIS DRAWING MAY BE REPRODUCED OR DISCLOSED TO OTHERS WITHOUT THE EXPRESS WRITTEN CONSENT OF MILESTONE AV TECHNOLOGIES.

CAD GENERATED DRAWING, DO NOT MANUALLY UPDATE.			6436 CITY WEST PKWY EDEN PRAIRIE MN, 55344 PHONE: 866-977-3901 FAX: 877-894-6918
DRAWN BY	JAB	5/20/2015	
ENG APPROVAL			DESCRIPTION
MFG APPROVAL			MENU-BOARD, WALL MOUNTED, 5 WIDE, LANDSCAPE
QA APPROVAL			MODEL NO.
SHEET 3 OF 3			LWM5X1U
SCALE	1:24	SIZE	DWG. NO.
		B	TECH-000707
			REV.

1 2 3 4 5 6 7 8

D
C
B
A

D
C
B
A

1 2 3 4 5 6 7 8