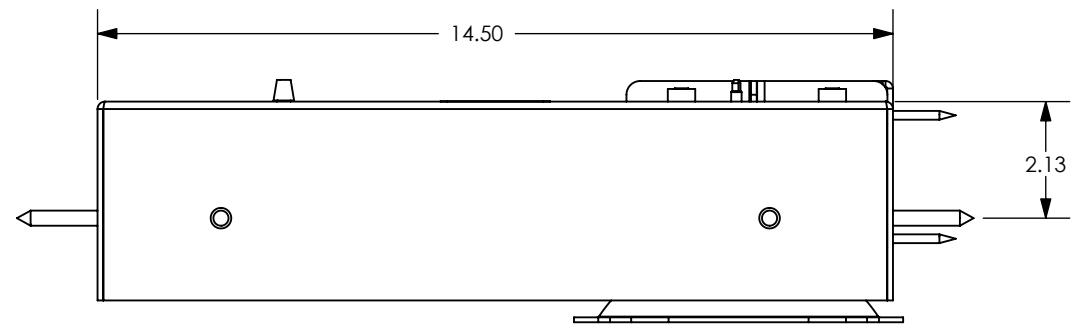


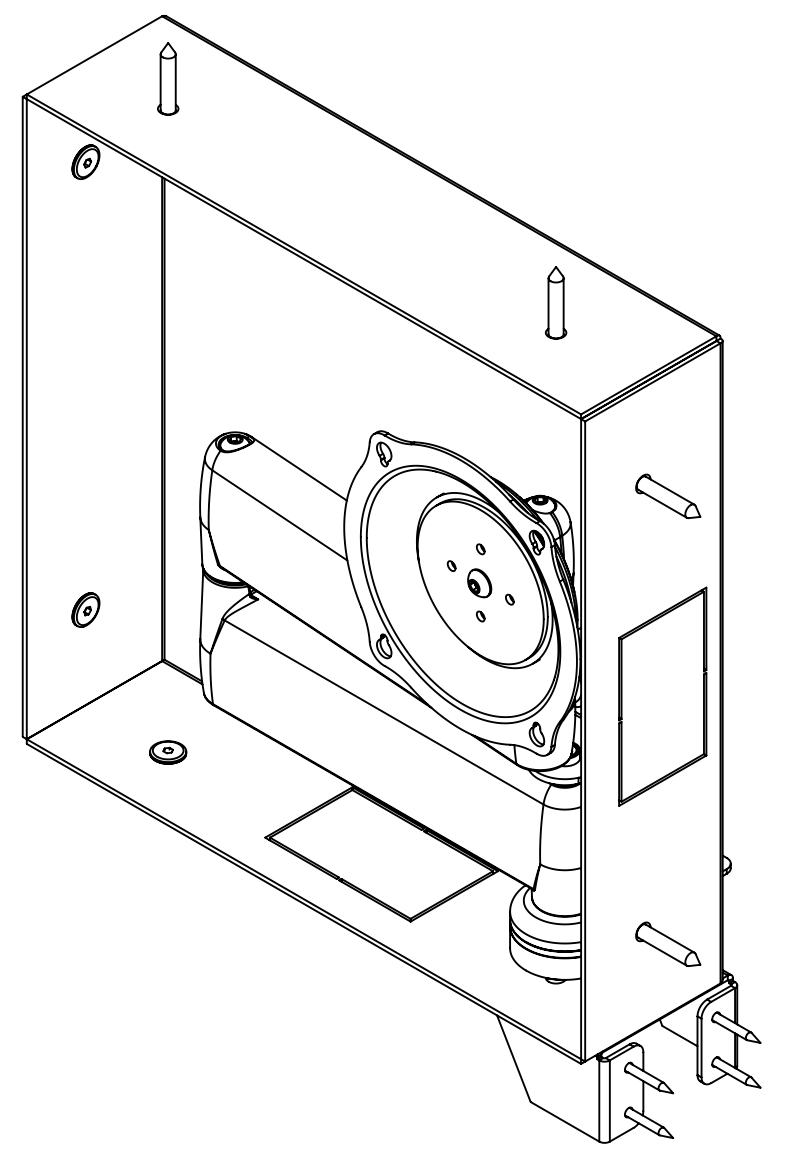
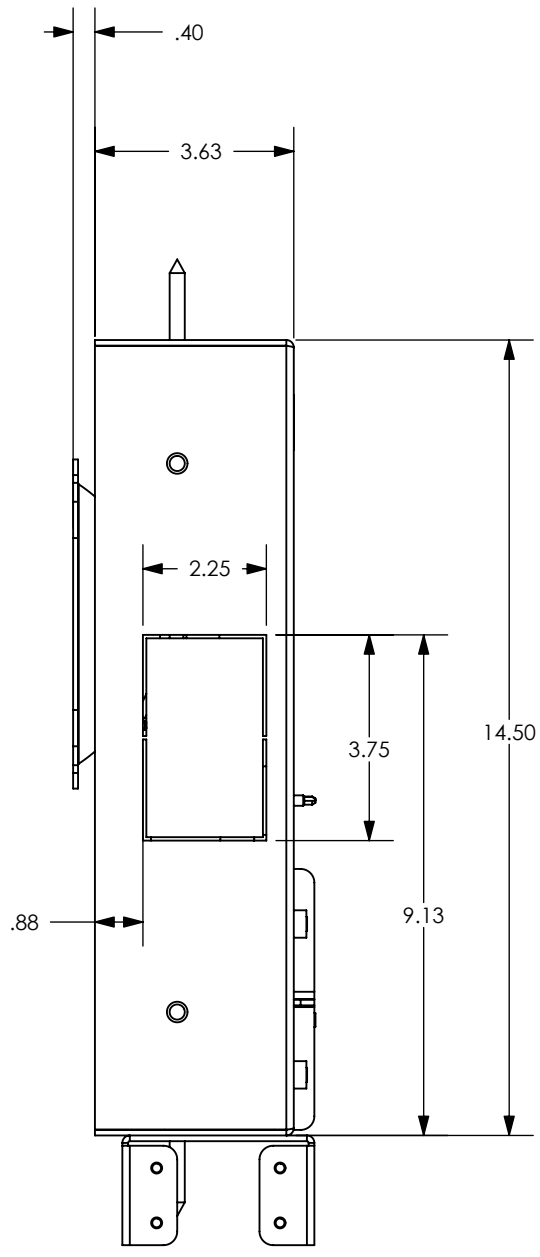
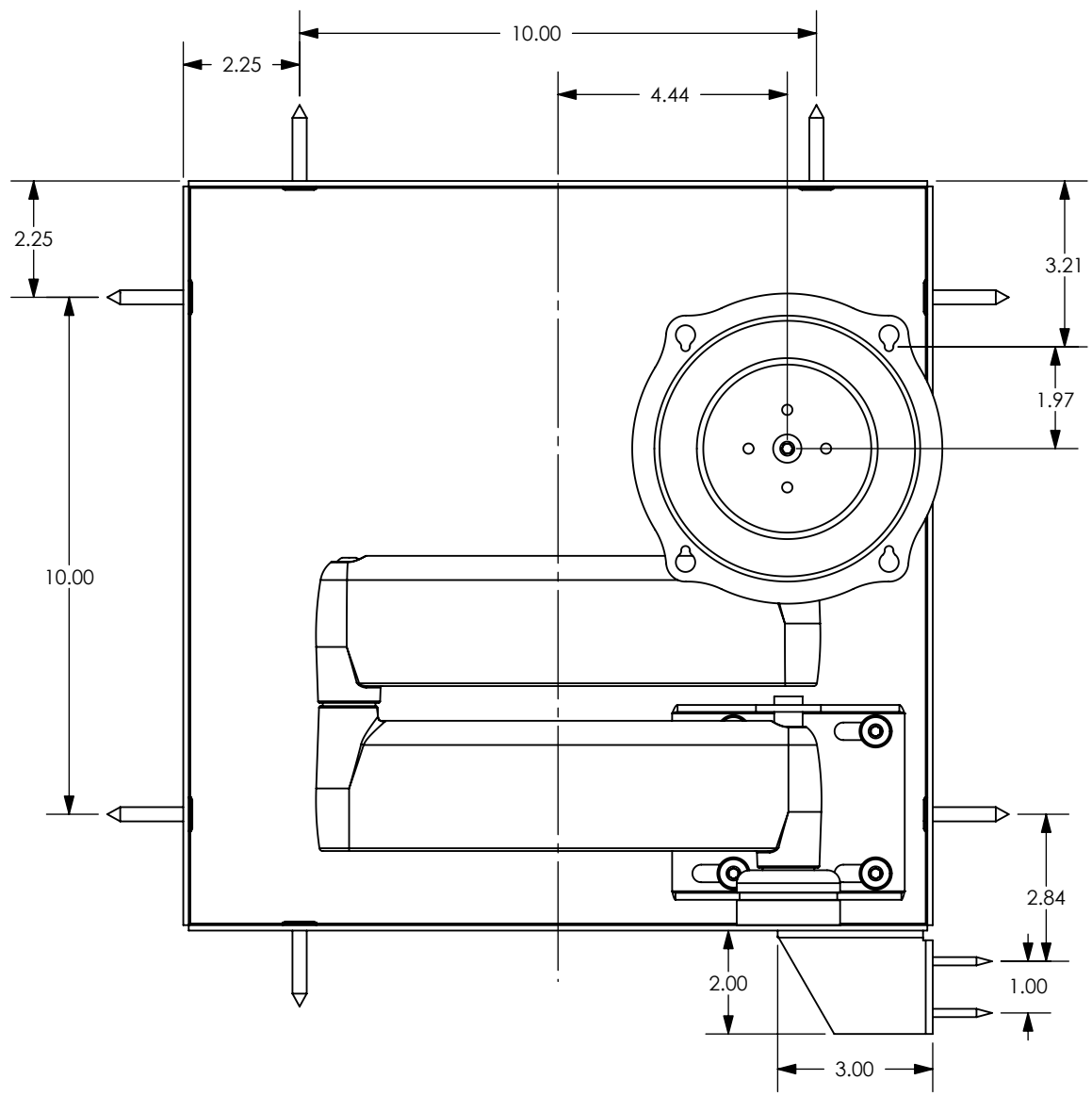
MAC-500  
D  
C  
B  
A

1 2 3 4 5 6 7 8



NOTE: CUSTOM INTERAFCE BRACKET NOT SHOWN. A CUSTOM INTERFACE BRACKET MAY BE NEEDED FOR YOUR DISPLAY ADD COULD ADD BETWEEN 1/2" AND 2" IN DEPTH AND MAY AFFECT LOCATION OF DISPLAY ON THE MOUNT.

SEE MSB-XXXX DRAWING ALSO.



JWD SHOWN INSTALLED FOR CLARITY  
JWD MUST BE PURCHASED SEPERATLEY



**CHIEF MANUFACTURING INC.**  
MOUNT ORDER NUMBER IS MAC-500  
PHONE: 1-800-582-6480

SHEET SCALE = 1:3.5

THE INFORMATION AND DESIGNS CONTAINED IN THIS DRAWING ARE CONFIDENTIAL AND THE PROPRIETARY PROPERTY OF CHIEF MFG., INC. NEITHER THIS DESIGN NOR ANY INFORMATION CONTAINED IN THIS DRAWING MAY BE REPRODUCED OR DISCLOSED TO OTHERS WITHOUT THE EXPRESS WRITTEN CONSENT OF CHIEF MFG., INC.

		8401 EAGLE CREEK PKY SUITE #700 SAVAGE, MN 55378 PHONE: 952-894-6280 FAX: 877-894-6918
TITLE		<b>CUSTOMER PRINT MAC-500</b>
SIZE	DWG. NO.	<b>B MAC-500</b>

1 2 3 4 5 6 7 8