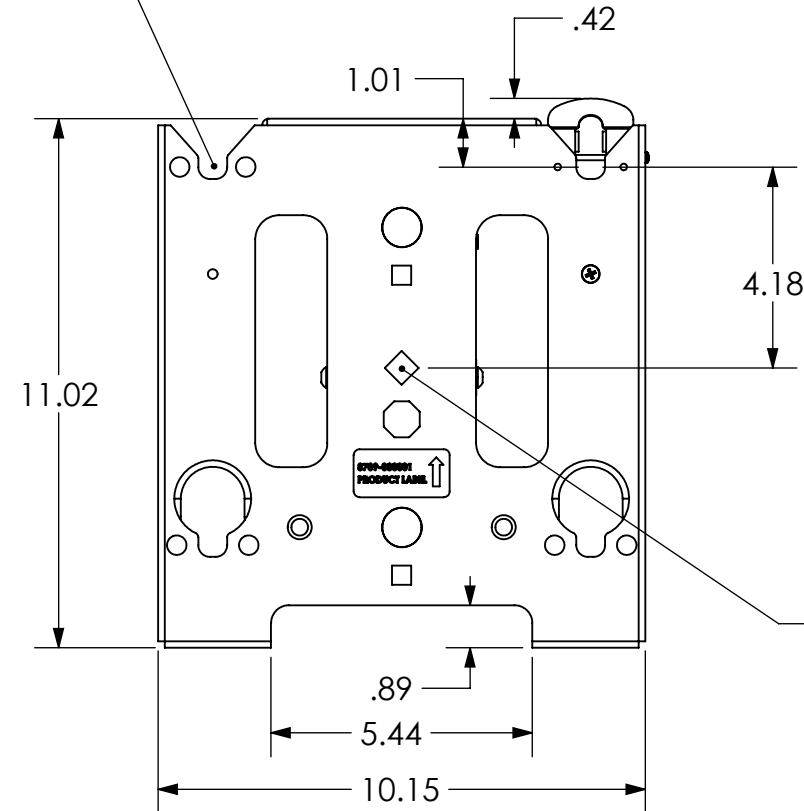


NOTE: CUSTOM INTERAFCE BRACKET NOT SHOWN. THE CUSTOM INTERFACE BRACKET NEEDED FOR YOUR DISPLAY WILL ADD BETWEEN 1/2" AND 2" IN DEPTH AND MAY AFFECT LOCATION OF DISPLAY ON THE MOUNT.

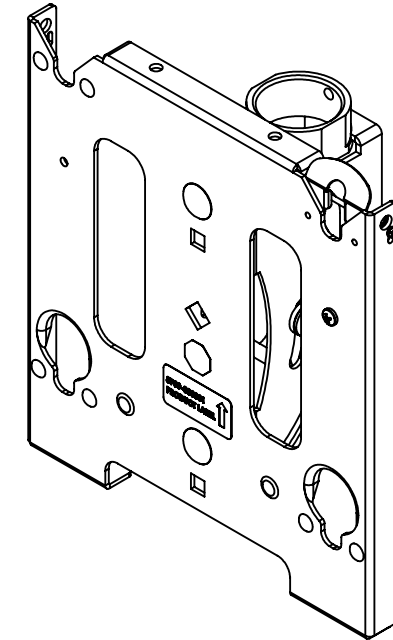
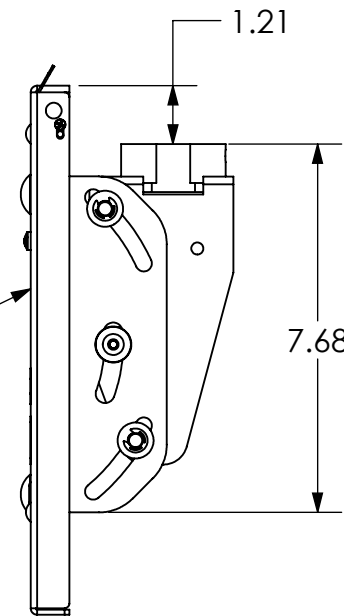
SEE MSB-XXXX DRAWING ALSO.

TOP MOUNTING BUTTON ON MSB-XXXX DRAWING GOES HERE



APPROXIMATE CENTER OF DISPLAY

FACE TILTS  
5° UP  
20° DOWN



CHIEF MANUFACTURING INC.  
PRODUCT ORDER NUMBER IS: MCS-6000  
PHONE: 1-800-582-6480

SHEET SCALE = 1:4

THE INFORMATION AND DESIGNS CONTAINED IN THIS DRAWING ARE CONFIDENTIAL AND THE PROPRIETARY PROPERTY OF MILESTONE AV TECHNOLOGIES NEITHER THIS DESIGN NOR ANY INFORMATION CONTAINED IN THIS DRAWING MAY BE REPRODUCED OR DISCLOSED TO OTHERS WITHOUT THE EXPRESS WRITTEN CONSENT OF MILESTONE AV TECHNOLOGIES.



8401 EAGLE CREEK PKY  
SUITE #700  
SAVAGE, MN 55378  
PHONE: 952-894-6280  
FAX: 877-894-6918

TITLE  
**CUSTOMER PRINT  
MCS-6000**

SIZE | DWG. NO.  
**B | MCS-6000**

REV  
**A**

MCS-6000  
D  
C  
B  
A