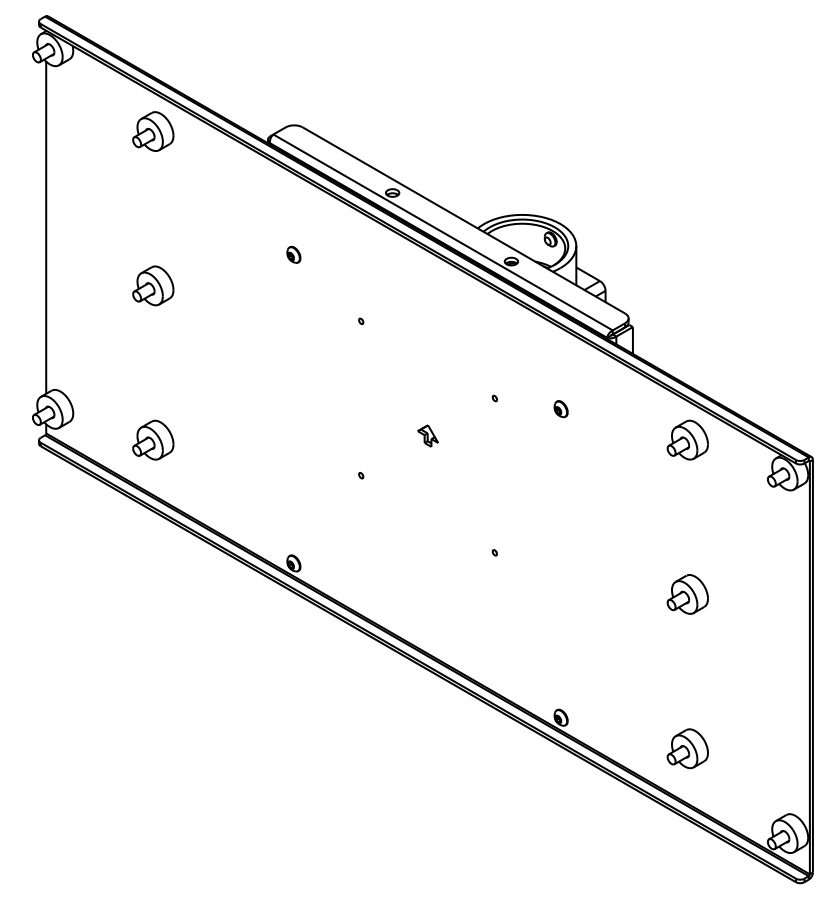
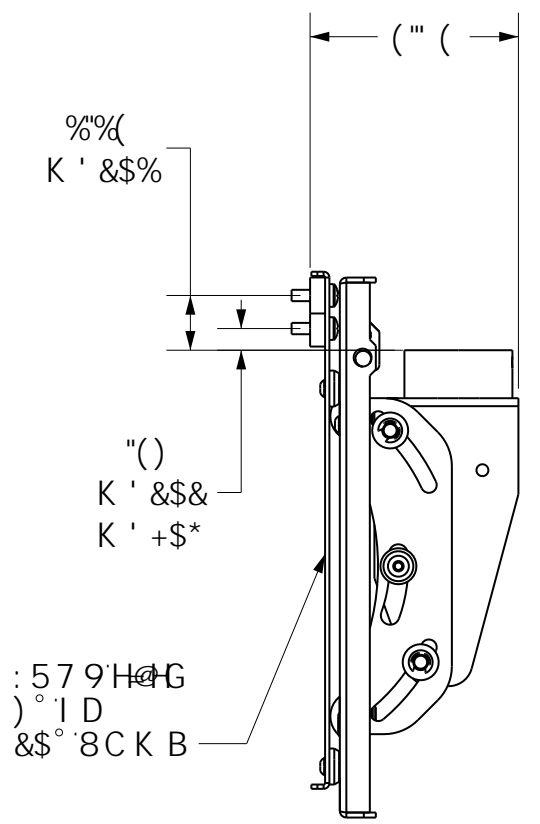


(°FC @58> GHA 9BH



BC H9: 71 GHA 'BH9F5: 7 9'6F57?9H
 BCHG<CK B"K 971 GHA 'BH9F: 57 9
 6F57?9HB 998 98 : CF 'MC I F'8 GD@5M
 K @588'69HK 99B '%&'5B8 &'B
 89DH'5B8'A 5M5:: 97 H@ 7 5HC B
 C: '8 GD@5MC B'K 9'A CI BH'
 G99'A G6!LLLL'8F5K B; '5@GC"



7<9: A5BI :57HFB; 'B7"
 ACI BHC F89'BI A 69'GA 7G877@7G
 D<CB9.%,\$\$!), &*(, \$

G<99HG7 5@'1'%"

H9-B: CFA 5HCB'5B8'89G; BG7CBH5-B98
 -B'K-G8F5K B; '5F97CB: -89BH5@5B8'K 9
 DFCDF-95FMDFC D9'FMC: 7<9: 'A:; 'Z-B7"
 B9'K9'K-G89G; B'BCF'5BM-B: CFA 5HCB
 7CBH5-B98-B'K-G8F5K B; 'A 5M69
 F9DFC8I 798'CF'8-G7 @G98 HC'CH 9FG
 K #KCI HK 99LDF9GK F#H9B 7CBG9BHC:
 7<9: 'A:; 'Z-B7"

(\$%95: @97F99? D?M
 G #P: +\$\$
 (5J5: 92AB))' +,
 D<CB9:.)&,-(1*&\$
 :5L:; ++,-(1*-%

CHIEF

H#99
 71 GHA 9' DF-BH
 A7G877@7G

G#P' BK: "BC"
 6 A7G877@7G