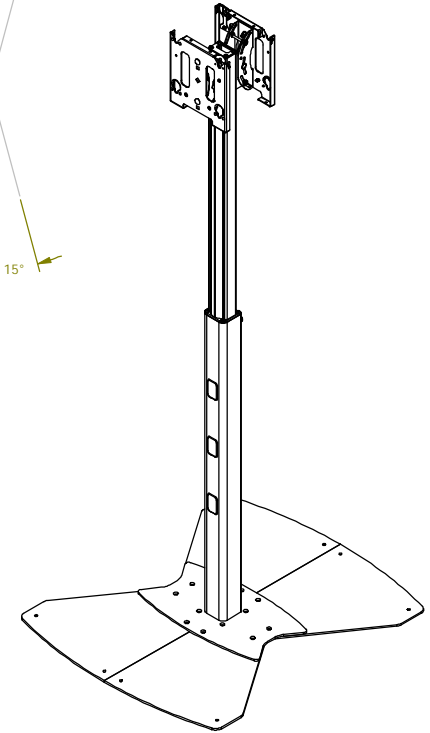
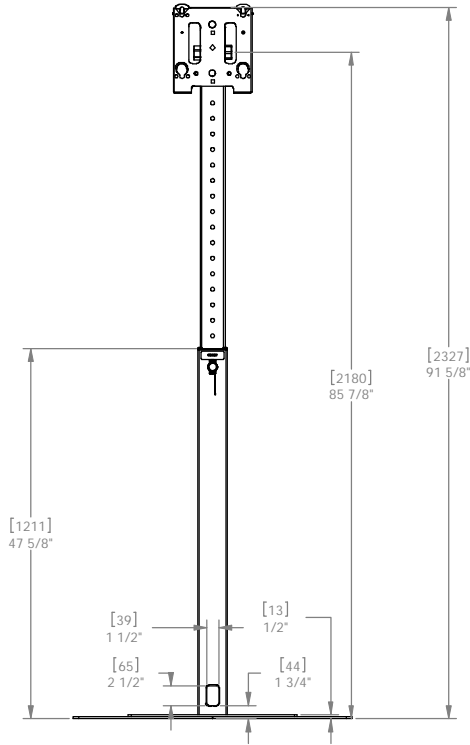
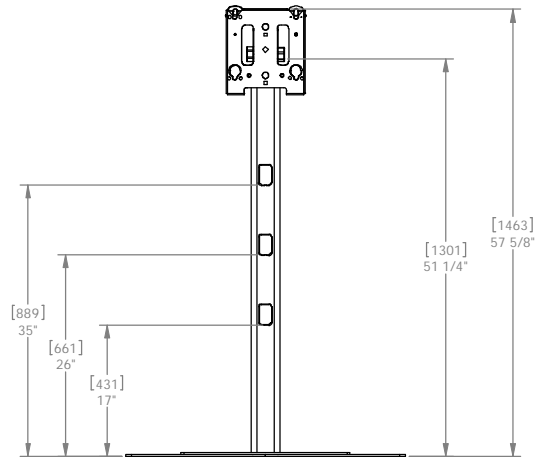
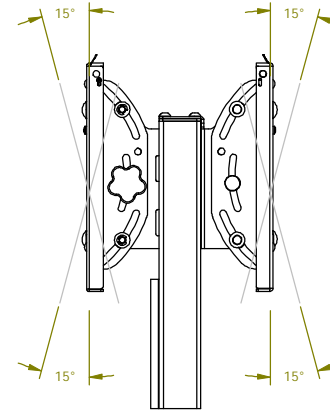


NOTE: CUSTOM INTERFACE BRACKET NOT SHOWN. THE CUSTOM INTERFACE BRACKET NEEDED FOR YOUR DISPLAY WILL ADD BETWEEN 1/2" AND 2" IN DEPTH AND MAY AFFECT LOCATION OF DISPLAY ON THE MOUNT.

SEE MSBU DRAWING ALSO.

PRODUCT FEATURES	
WEIGHT CAPACITY	250 LBS (125 LBS PER FACEPLATE)
HEIGHT ADJUSTMENT (GROUND TO MIDDLE OF SCREEN)	50-3/4" TO 84-3/4" IN 2" INCREMENTS
TILT / ROLL / YAW	±15° / ±0° / ±0°



CHIEF MANUFACTURING INC.  
 MOUNT ORDER NUMBER IS MF2U  
 PHONE: 1-800-582-6480  
 11/3/2010

ALL MEASUREMENTS ARE IN THE FOLLOWING FORMAT:

(MILLIMETERS)  
 INCHES

THE INFORMATION AND DESIGNS CONTAINED IN THIS DRAWING ARE CONFIDENTIAL AND THE PROPRIETARY PROPERTY OF CHIEF MFG., INC. NEITHER THIS DESIGN NOR ANY INFORMATION CONTAINED IN THIS DRAWING MAY BE REPRODUCED OR DISCLOSED TO OTHERS WITHOUT THE EXPRESS WRITTEN CONSENT OF CHIEF MFG., INC.

**CHIEF** MANUFACTURING, INC.  
 8401 EAGLE CREEK PKWY • SAVAGE, MN 55378  
 1.800.582.6480 • FAX 1.877.894.6918

TITLE  
 CUSTOMER PRINT  
 4'-7" DUAL MEDIUM FLAT PANEL  
 FLOOR STAND

SIZE DWG. NO.  
 B BRACKET ORDER # MF2U

BRACKET ORDER # MF2U

D

C

B

A