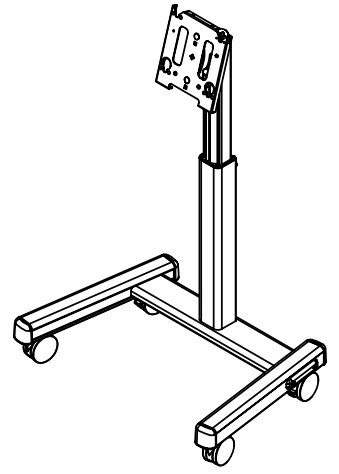
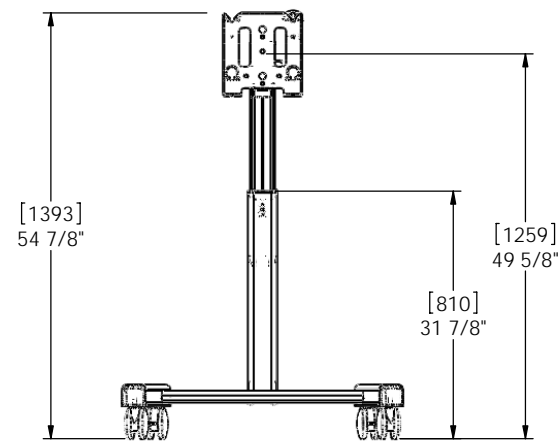
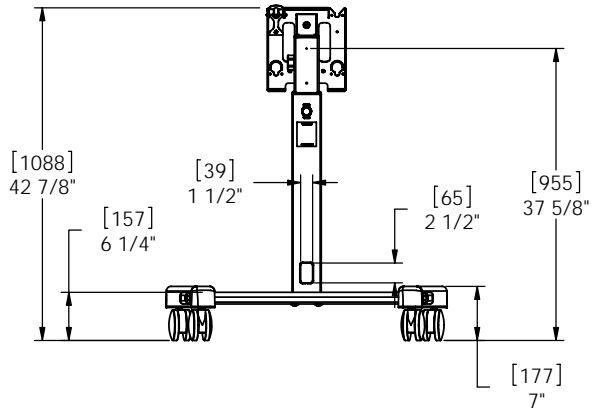
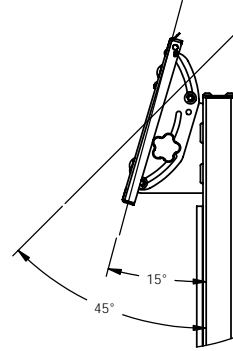


NOTE: CUSTOM INTERAFCE BRACKET NOT SHOWN. THE CUSTOM INTERFACE BRACKET NEEDED FOR YOUR DISPLAY WILL ADD BETWEEN 1/2" AND 2" IN DEPTH AND MAY AFFECT LOCATION OF DISPLAY ON THE MOUNT.

SEE PSBU DRAWING ALSO.

PRODUCT FEATURES	
WEIGHT CAPACITY	125 LBS
HEIGHT ADJUSTMENT (GROUND TO MIDDLE OF SCREEN)	37 5/8" to 49 5/8" IN 2" INCREMENTS
TILT / ROLL / YAW	+15° to +45° / ±0° / ±0°



CHIEF MANUFACTURING INC.
MOUNT ORDER NUMBER IS "MFM"
PHONE: 1-800-582-6480
8/20/2007

ALL MEASUREMENTS ARE IN THE FOLLOWING FORMAT:
 (MILLIMETERS)
 INCHES

THE INFORMATION AND DESIGNS CONTAINED IN THIS DRAWING ARE CONFIDENTIAL AND THE PROPRIETARY PROPERTY OF CHIEF MFG., INC. NEITHER THIS DESIGN NOR ANY INFORMATION CONTAINED IN THIS DRAWING MAY BE REPRODUCED OR DISCLOSED TO OTHERS WITHOUT THE EXPRESS WRITTEN CONSENT OF CHIEF MFG., INC.

	CHIEF MANUFACTURING, INC. 8401 EAGLE CREEK PKWY • SAVAGE, MN 55378 1.800.582.6480 • FAX 1.877.894.6918
TITLE	CUSTOMER PRINT 3' - 4' MEDIUM FLAT PANEL CART
SEE DWG. NO.	B PRODUCT NAME: MFM

BRACKET ORDER # MFM