

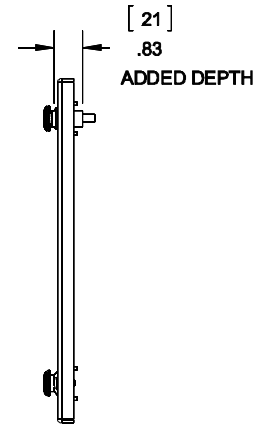
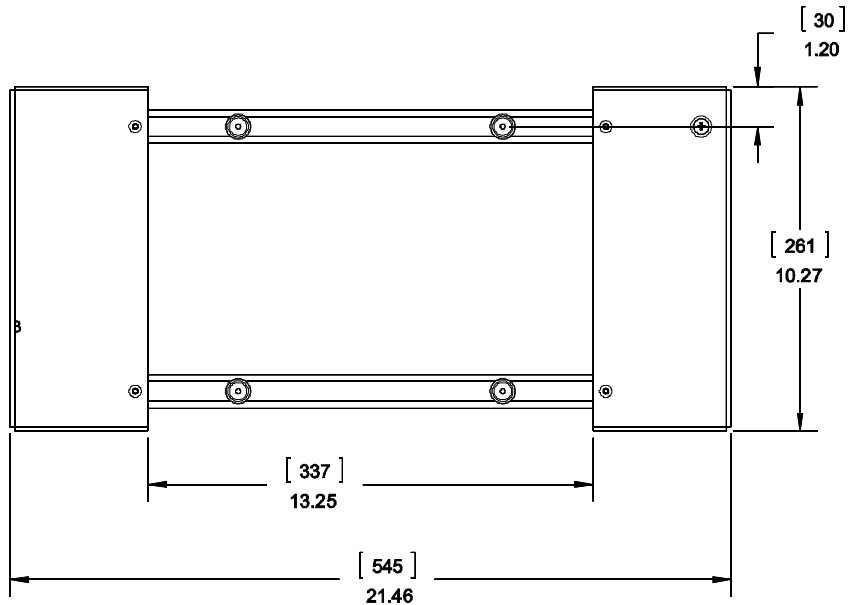
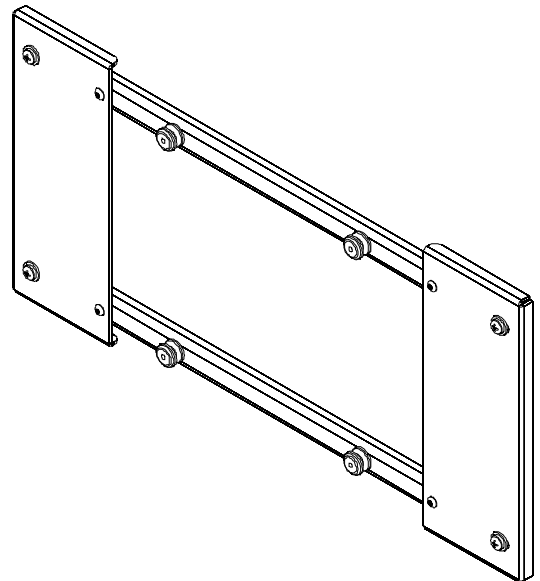
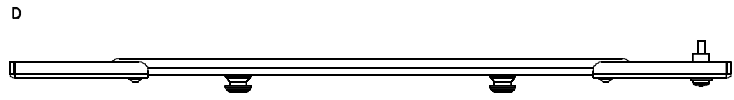
MSB-6744

D

C

B

A



CHIEF MANUFACTURING INC.
 PRODUCT ORDER NUMBER IS: MSB-6744
 PHONE: 1-800-582-6480

SHEET SCALE = 1:4

THE INFORMATION AND DESIGNS CONTAINED IN THIS DRAWING ARE CONFIDENTIAL AND THE PROPRIETARY PROPERTY OF MILESTONE AV TECHNOLOGIES NEITHER THIS DESIGN NOR ANY INFORMATION CONTAINED IN THIS DRAWING MAY BE REPRODUCED OR DISCLOSED TO OTHERS WITHOUT THE EXPRESS WRITTEN CONSENT OF MILESTONE AV TECHNOLOGIES.

	8401 EAGLE CREEK PKY SUITE #700 SAVAGE, MN 55378 PHONE: 952-894-6290 FAX: 877-894-6918	
	TITLE CUSTOMER PRINT MSB-6122	
SIZE	DWG. NO.	
B	MSB-6122	