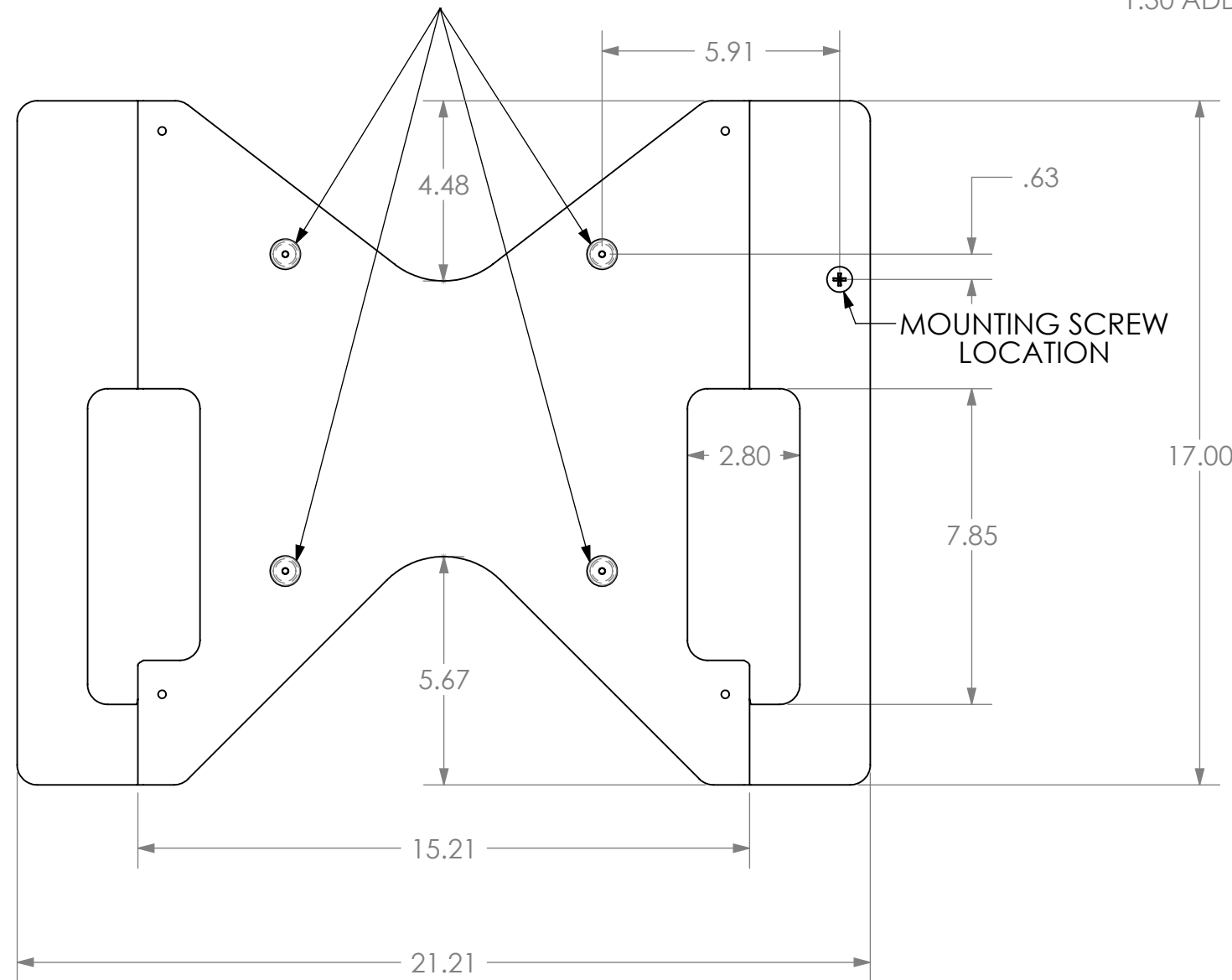


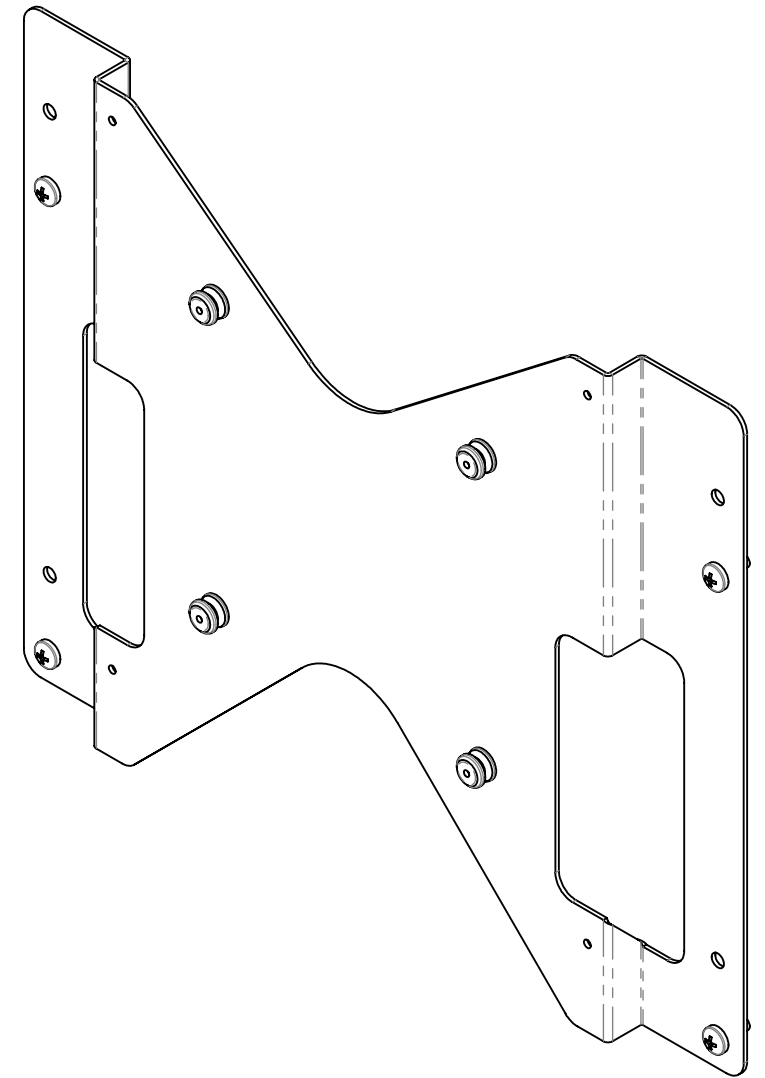


MOUNTING BUTTONS FIT INTO TEARDROP SLOTS ON MOUNT



MOUNTING SCREW LOCATION

BRACKET WORKS WITH 500MM x 300MM MOUNTING PATTERN



CHIEF MANUFACTURING INC.
PRODUCT ORDER NUMBER IS: MSB6746
PHONE: 1-800-582-6480

SHEET SCALE = 1:4

THE INFORMATION AND DESIGNS CONTAINED IN THIS DRAWING ARE CONFIDENTIAL AND THE PROPRIETARY PROPERTY OF MILESTONE AV TECHNOLOGIES NEITHER THIS DESIGN NOR ANY INFORMATION CONTAINED IN THIS DRAWING MAY BE REPRODUCED OR DISCLOSED TO OTHERS WITHOUT THE EXPRESS WRITTEN CONSENT OF MILESTONE AV TECHNOLOGIES.



8401 EAGLE CREEK PKY
SUITE #700
SAVAGE, MN 55378
PHONE: 952-894-6280
FAX: 877-894-6918

TITLE
**CUSTOMER PRINT
MSB6746**

SIZE DWG. NO.
B MSB6746