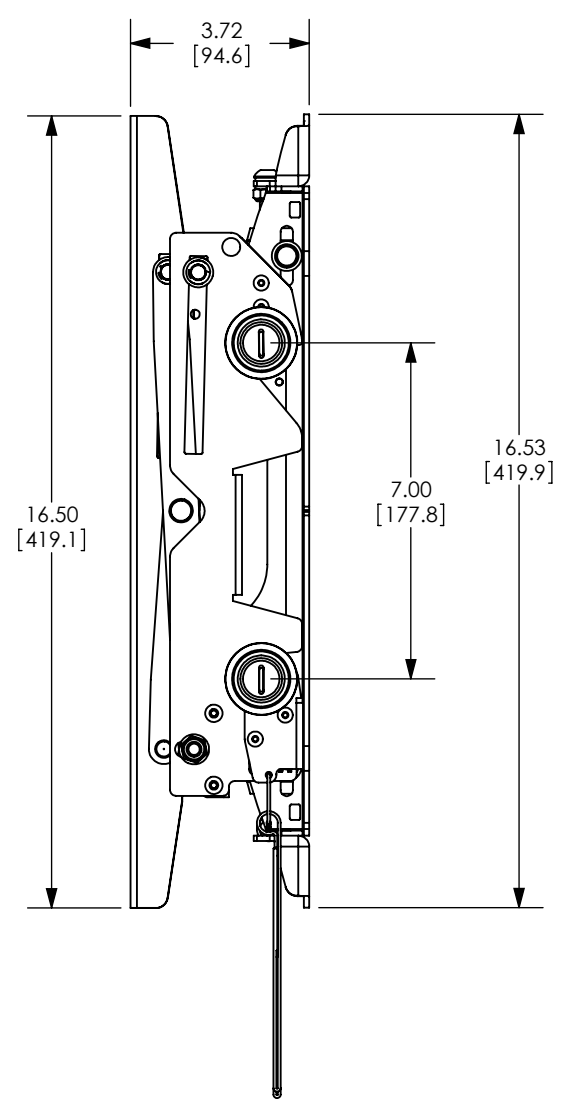
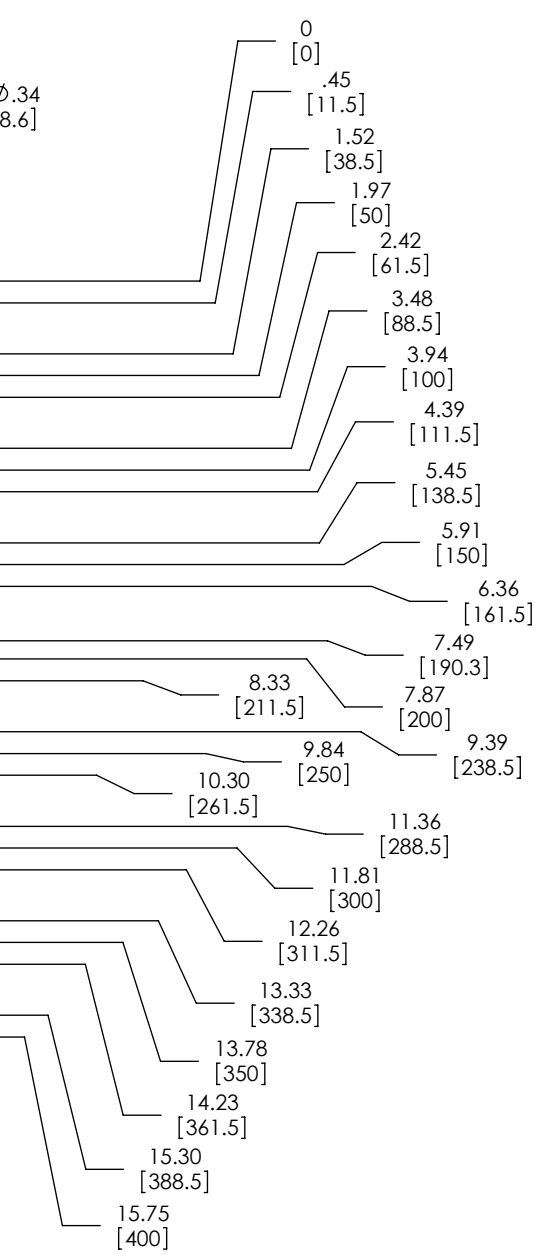
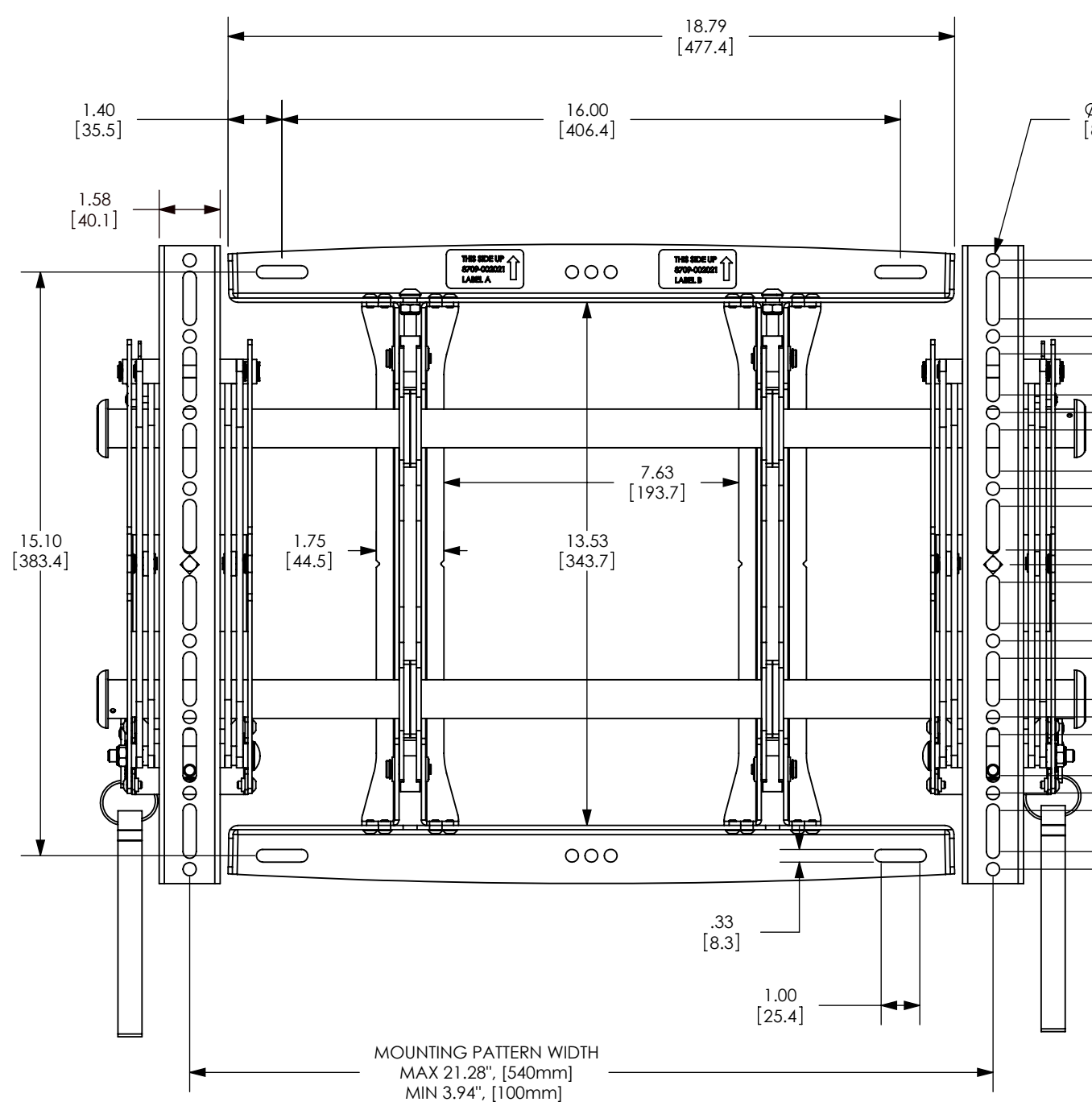
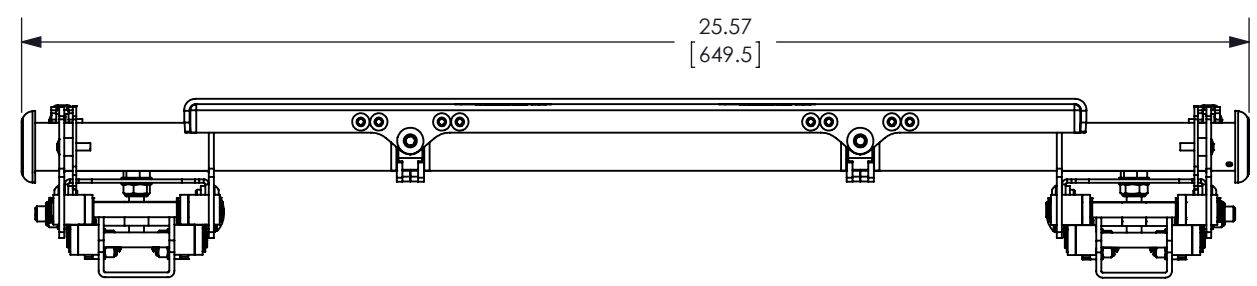


- NOTES:
1. MAXIMUM MOUNTING PATTERN WIDTH IS 21.28"[540mm].
  2. MINIMUM MOUNTING PATTERN WIDTH IS 3.94"[100mm].
  3. MOUNT IS 3.7"[94.6mm] DEEP WHEN FLAT TO WALL.
  4. EXTENSION DISTANCE IS 7.0"[177.8mm] WITH A MAXIMUM EXTENSION FROM WALL OF 10.7"[272mm].
  5. FOR RECESSED APPLICATIONS, MINIMUM VERTICAL LIFT FOR HOOK ENGAGEMENT IS .56"[14.2mm].



MOUNTING PATTERN WIDTH  
MAX 21.28", [540mm]  
MIN 3.94", [100mm]

THE INFORMATION AND DESIGNS CONTAINED IN THIS DRAWING ARE CONFIDENTIAL AND THE PROPRIETARY PROPERTY OF MILESTONE AV TECHNOLOGIES NEITHER THIS DESIGN NOR ANY INFORMATION CONTAINED IN THIS DRAWING MAY BE REPRODUCED OR DISCLOSED TO OTHERS WITHOUT THE EXPRESS WRITTEN CONSENT OF MILESTONE AV TECHNOLOGIES.

CAD GENERATED DRAWING, DO NOT MANUALLY UPDATE.			6436 CITY WEST PKWY EDEN PRAIRIE MN, 55344 PHONE: 866-977-3901 FAX: 877-894-6918		
DRAWN BY	MW 9/3/2013		DESCRIPTION		
ENG APPROVAL		MSMVU			
MFG APPROVAL					
QA APPROVAL		MODEL NO.			
SHEET 1 OF 1		SCALE	SIZE	DWG. NO.	REV.
		1:4	B	TECH-000161	00