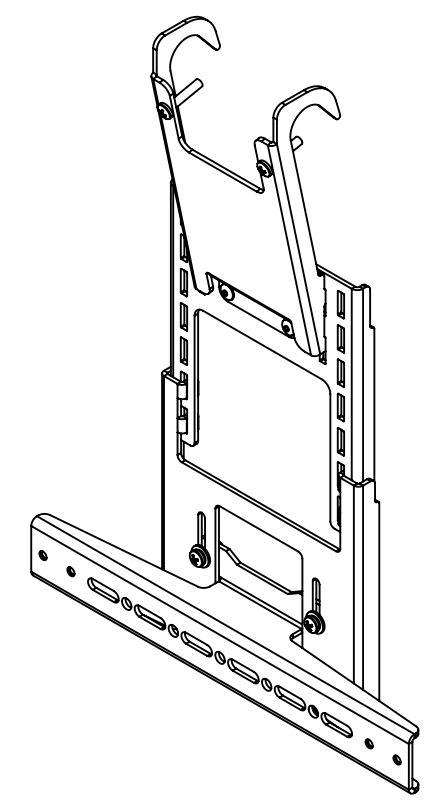
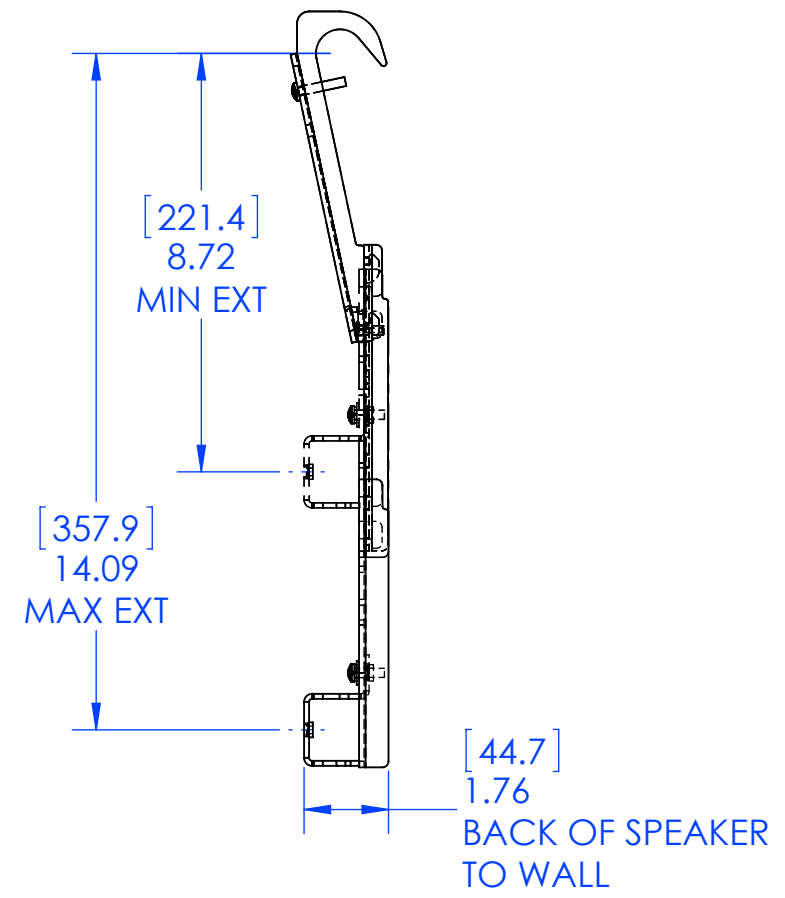
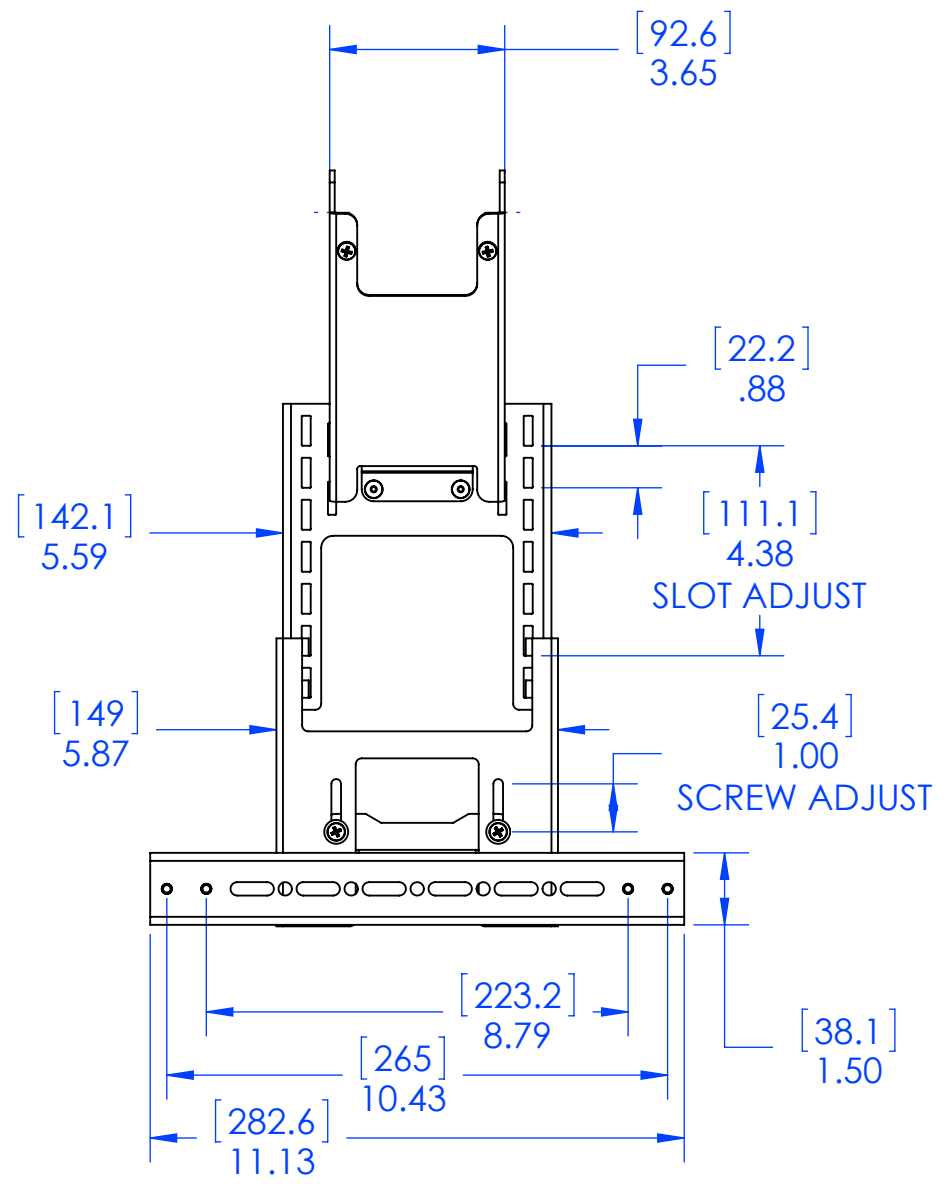
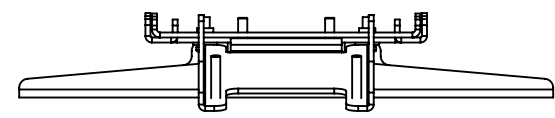


1 2 3 4 5 6 7 8

MSP-CHSFCC1



**CHIEF MANUFACTURING INC.**  
**MOUNT ORDER NUMBER IS MSP-CHSFCC1**  
**PHONE: 1-800-582-6480**

**WEIGHT CAPACITY: 20 LBS**  
**SHEET SCALE = 1:4**

THE INFORMATION AND DESIGNS CONTAINED IN THIS DRAWING ARE CONFIDENTIAL AND THE PROPRIETARY PROPERTY OF CHIEF MFG., INC. NEITHER THIS DESIGN NOR ANY INFORMATION CONTAINED IN THIS DRAWING MAY BE REPRODUCED OR DISCLOSED TO OTHERS WITHOUT THE EXPRESS WRITTEN CONSENT OF CHIEF MFG., INC.

**CHIEF**  
 8401 EAGLE CREEK PKY  
 SUITE #700  
 SAVAGE, MN 55378  
 PHONE: 952-894-6280  
 FAX: 877-894-6918

TITLE  
**CUSTOMER PRINT**  
**MSP-CHSFCC1**

SIZE	DWG. NO.	REV.
<b>B</b>	<b>MSP-CHSFCC1</b>	<b>00</b>

1 2 3 4 5 6 7 8