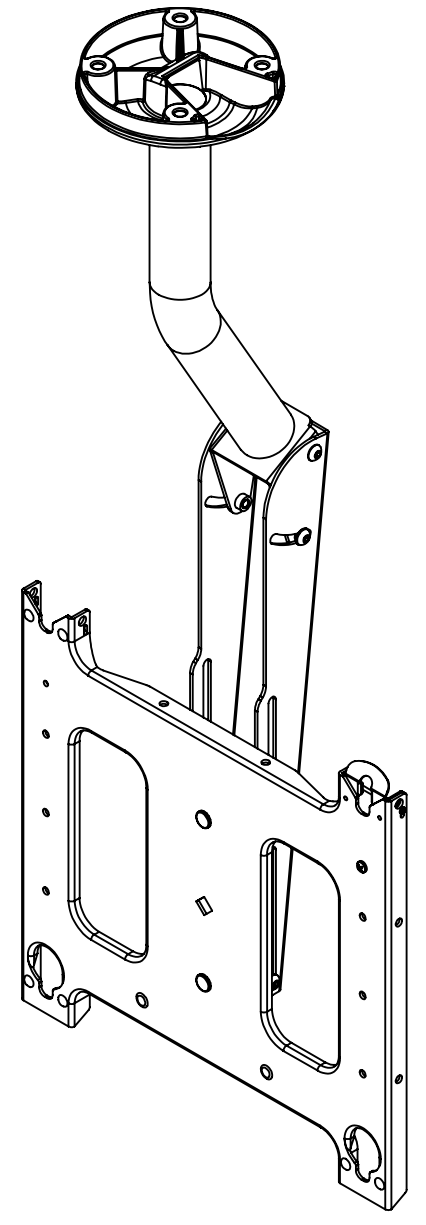
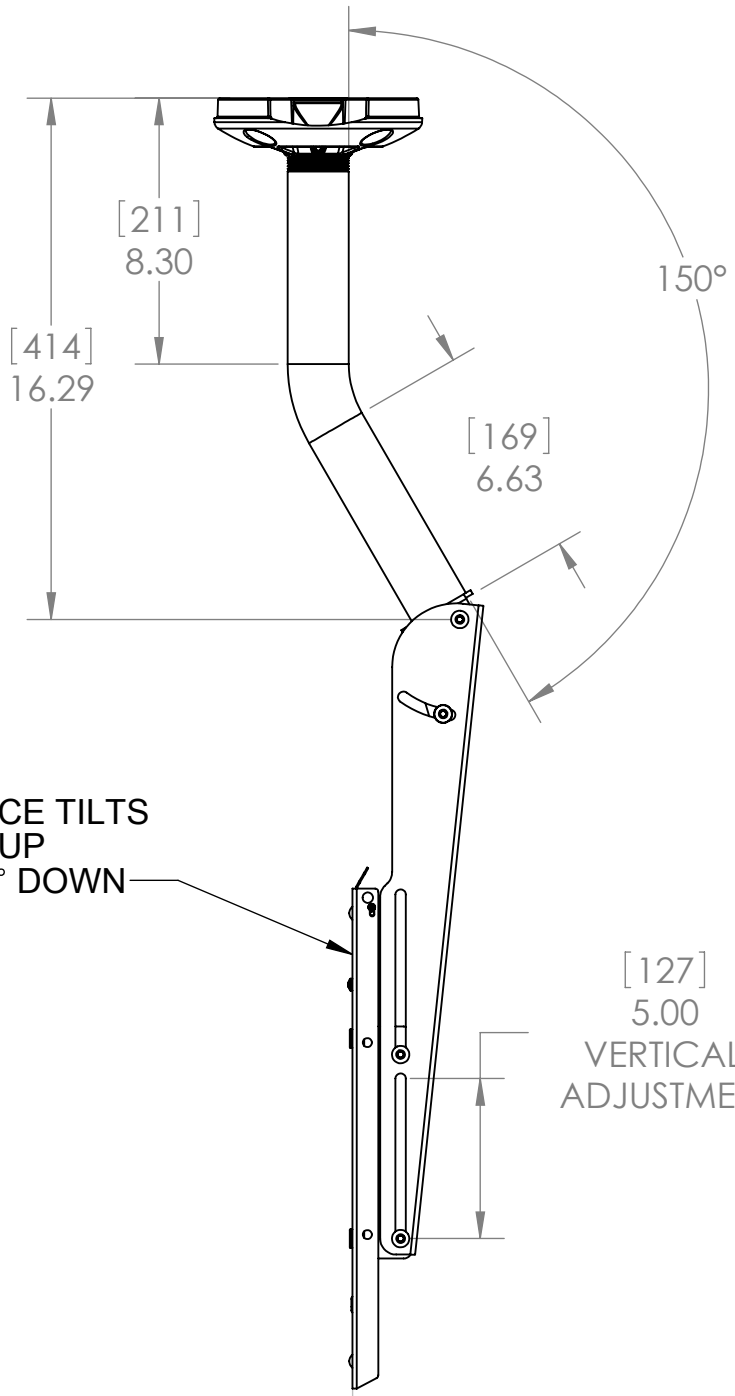
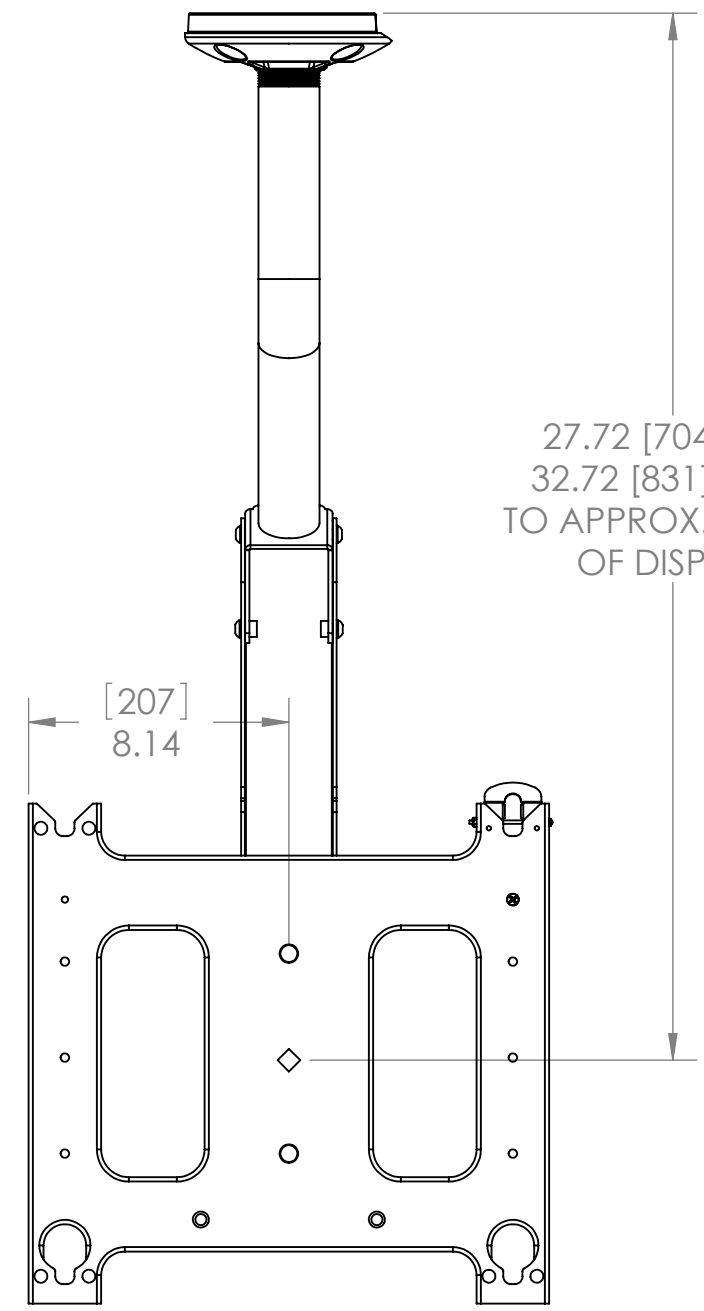


NOTE: INTERFACE BRACKET NOT SHOWN. THE INTERFACE BRACKET NEEDED FOR YOUR DISPLAY WILL ADD .80" TO .91" IN DEPTH AND MAY AFFECT LOCATION OF DISPLAY ON THE MOUNT. SEE CH-SINTBR DRAWING ALSO.



D
C
B
A

D
C
B
A



SHEET SCALE = 1:6

THE INFORMATION AND DESIGNS CONTAINED IN THIS DRAWING ARE CONFIDENTIAL AND THE PROPRIETARY PROPERTY OF CHIEF MFG., INC. NEITHER THIS DESIGN NOR ANY INFORMATION CONTAINED IN THIS DRAWING MAY BE REPRODUCED OR DISCLOSED TO OTHERS WITHOUT THE EXPRESS WRITTEN CONSENT OF CHIEF MFG., INC.

CHIEF 8401 EAGLE CREEK PKY
SUITE #700
SAVAGE, MN 55378
PHONE: 952-894-6280
FAX: 877-894-6918

TITLE
**CUSTOMER PRINT
MSP-CHSPCM115**

SIZE DWG. NO.
B MSP-CHSPCM115