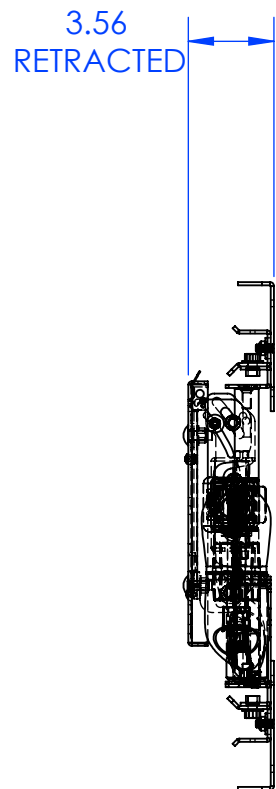
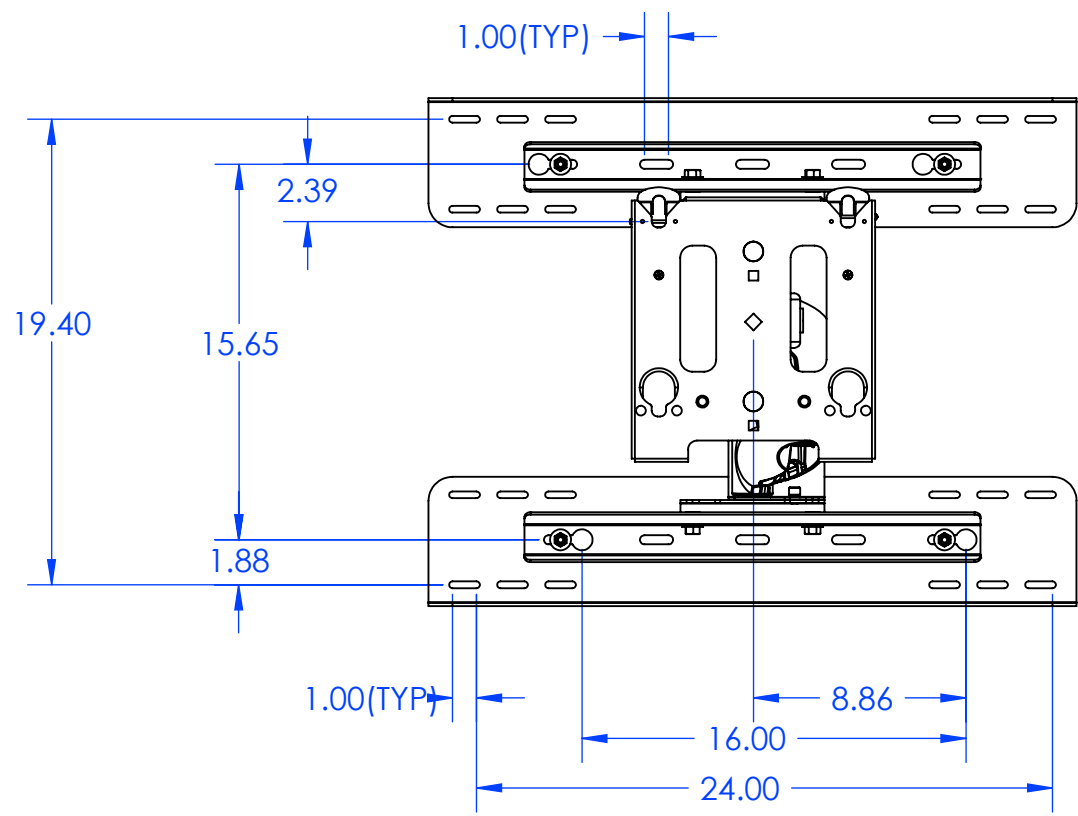
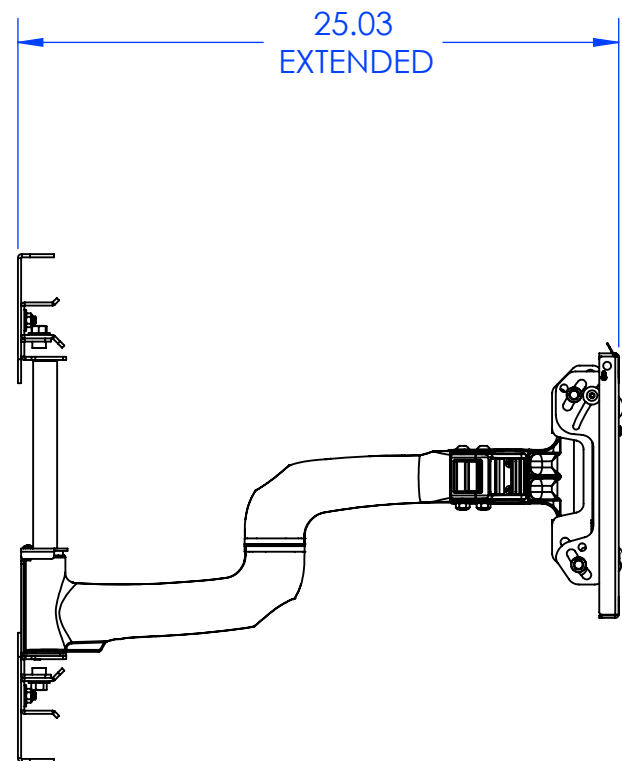


PRODUCT FEATURES	
WEIGHT CAPACITY	100 LBS
HEIGHT ADJUSTMENT	0"
TILT / ROLL / YAW	+5°,-15° / ±2° / ±0°

9035-000020-TECH



CAD GENERATED DRAWING. DO NOT MANUALLY UPDATE		<p>8401 EAGLE CREEK PKY SAVAGE, MN 55378 PHONE: 952-894-6280 FAX: 877-894-6918</p>	
DATE	7/14/2008		
DESIGNER	PJO		
DETAILER	PJO		
RESP ENG	PJO	TITLE	MSP-CSC3
SHEET 1 OF 1	SIZE B	DWG. NO.	9035-000020-TECH
		REV.	