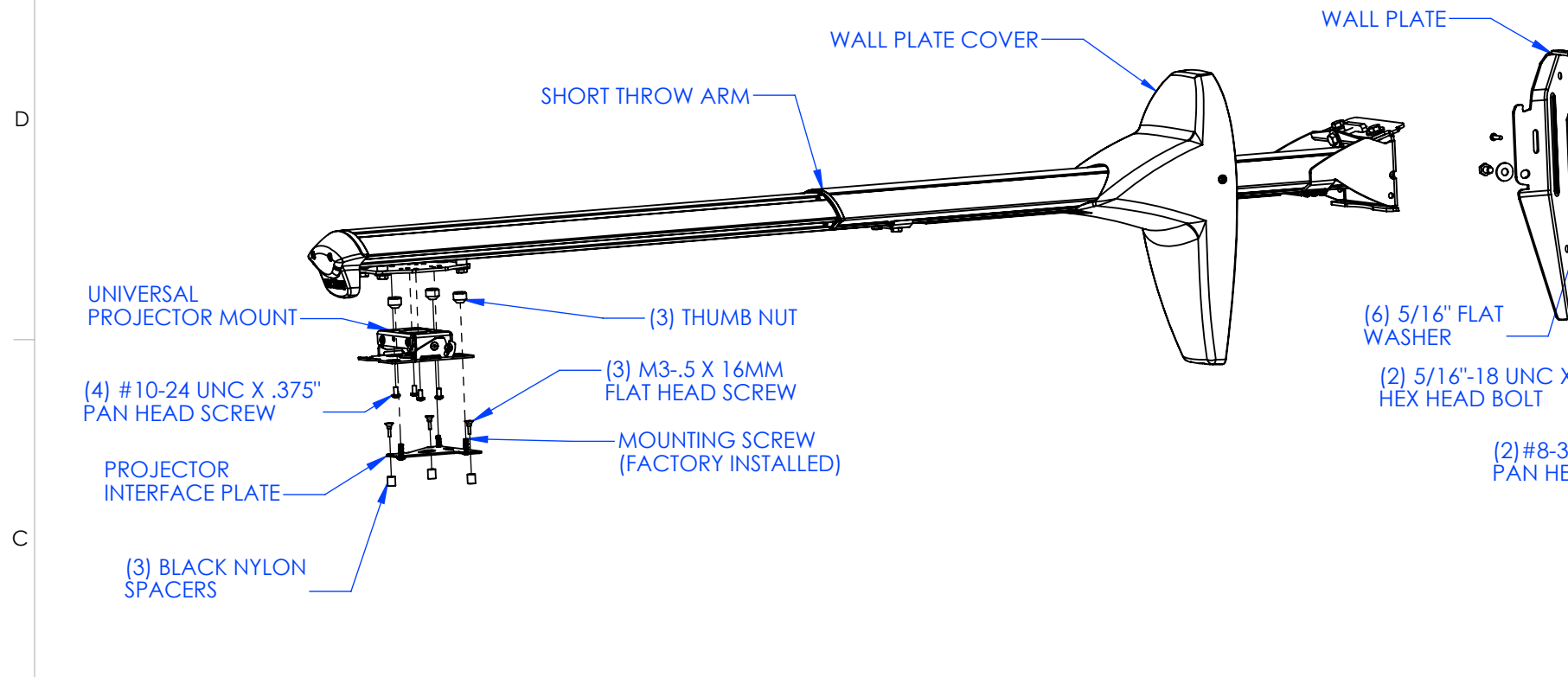
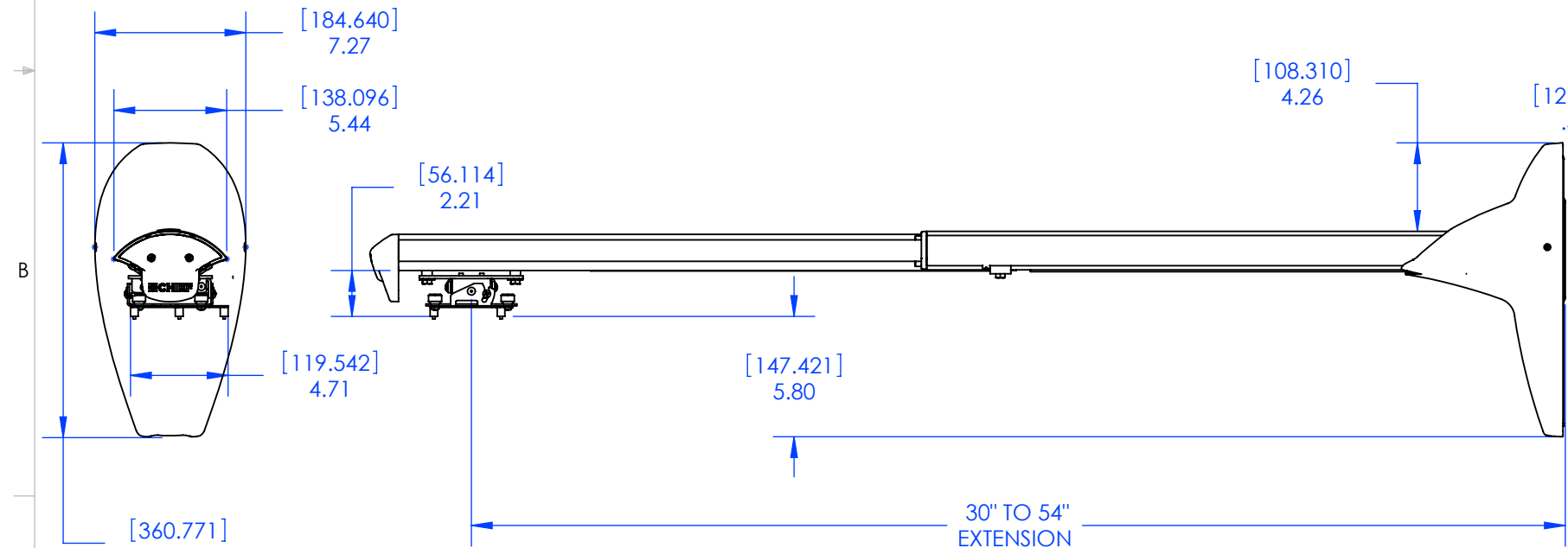


REV	DESCRIPTION	DATE	ECO#	AUTH
00	RELEASED FOR PRODUCTION	12/7/2009	500001909	T.L.C.



- (3) M3-.5 X 12MM BUTTON HEAD SECURITY SCREW FOR 1800MP INSTALLATION
- (3) M3 - .5 X 12MM PAN HEAD SCREW FOR 1800MP INSTALLATION
- (3) TALL WHITE NYLON SPACERS FOR 1800MP INSTALLATION
- (3) SHORT WHITE NYLON SPACERS FOR 1800MP INSTALLATION
- (4) 1/4"-20 UNC X .375" PAN HEAD SCREW
- (4) 1/4"-20 UNC X 1.50" PAN HEAD SCREW
- (4) 1/4"-20 UNC X 1.75" PAN HEAD SCREW
- (4) FISCHER UX X10 WALL ANCHOR
- (4) 1/4"-20 SNAP TOGGLE



- (6) 5/16" FLAT WASHER
- (2) 5/16"-18 UNC X 0.5" HEX HEAD BOLT
- (2) #8-32 UNC X .625" PAN HEAD SCREW
- (4) 5/16" FLAT WASHER
- (4) 5/16" X 2.5" HEX HEAD LAG SCREW
- (3) WHITE NYLON SPACERS
- (3) M3-.5 X 16MM SECURITY FLAT HEAD SCREW
- 5/16-18 X .50" SECURITY SET SCREW
- (2) #10-24 X .25" FLAT HEAD SECURITY SCREW
- 3/32" SECURITY HEX KEY
- 5/32" SECURITY HEX KEY

1. SECURITY HARDWARE: REPLACE STANDARD FASTENERS WITH SECURITY HARDWARE FOR ADDITIONAL SECURITY (OPTIONAL). REQUIRES REMOVAL OF FACTORY INSTALLED MOUNTING SCREWS AND SECURING UNIVERSAL MOUNT WITH (2) #10-24 X .25" SECURITY SCREWS.  
 2. INCLUDES INSTALLATION INSTRUCTIONS.

**THE INFORMATION AND DESIGNS CONTAINED IN THIS DRAWING ARE CONFIDENTIAL AND THE PROPRIETARY PROPERTY OF CHIEF MFG., INC. NEITHER THIS DESIGN NOR ANY INFORMATION CONTAINED IN THIS DRAWING MAY BE REPRODUCED OR DISCLOSED TO OTHERS WITHOUT THE EXPRESS WRITTEN CONSENT OF CHIEF MFG., INC.**

THIRD ANGLE PROJECTION	[X.XX] DIMENSIONS ARE IN mm .XXX DIMENSIONS ARE IN INCHES	CAD GENERATED DRAWING. DO NOT MANUALLY UPDATE		8401 EAGLE CREEK PKY SAVAGE, MN 55378 PHONE: 952-894-6280 FAX: 877-894-6918
DIMS. AND TOLERANCES PER ASME Y14.5 - 1994	UNLESS OTHERWISE NOTED TOLERANCES ARE:	DATE 1/29/2010		TITLE
MATERIAL	[X] ± 2.5mm .X ± .100 [X.X] ± .75mm .XX ± .030 [X.XX] ± .25mm .XXX ± .010 [X.XXX] ± .13mm .XXXX ± .005	DESIGNER T.L.C.	<b>DELL 50FFR: ST KIT, 30-54", SINGLE STUD, CUSTOM</b>	
FINISH SEE NOTES	ANGULAR: ± 0°30'	DETAILER T.L.C.		
	SURFACE FINISH: 125	RESP ENG T.L.C.	SHEET 1 OF 1	REV. 00