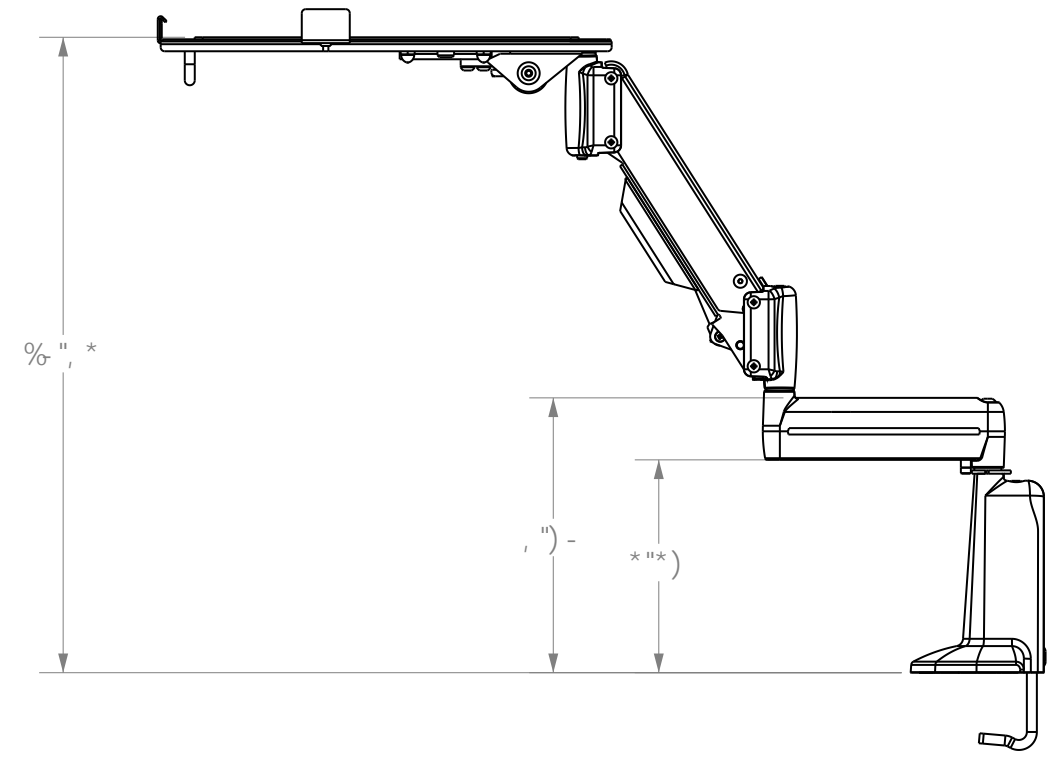
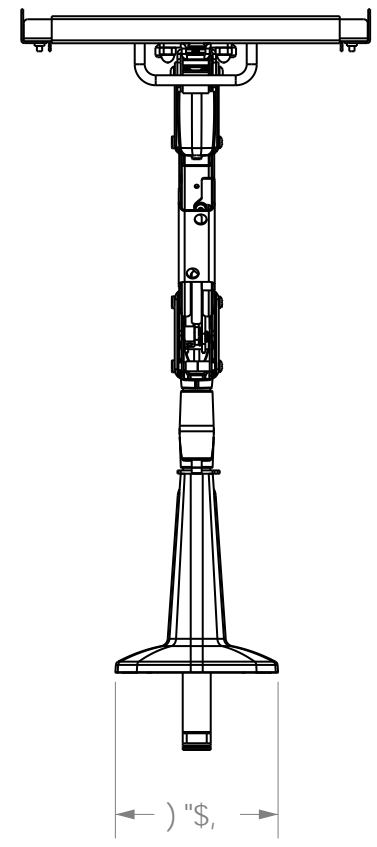
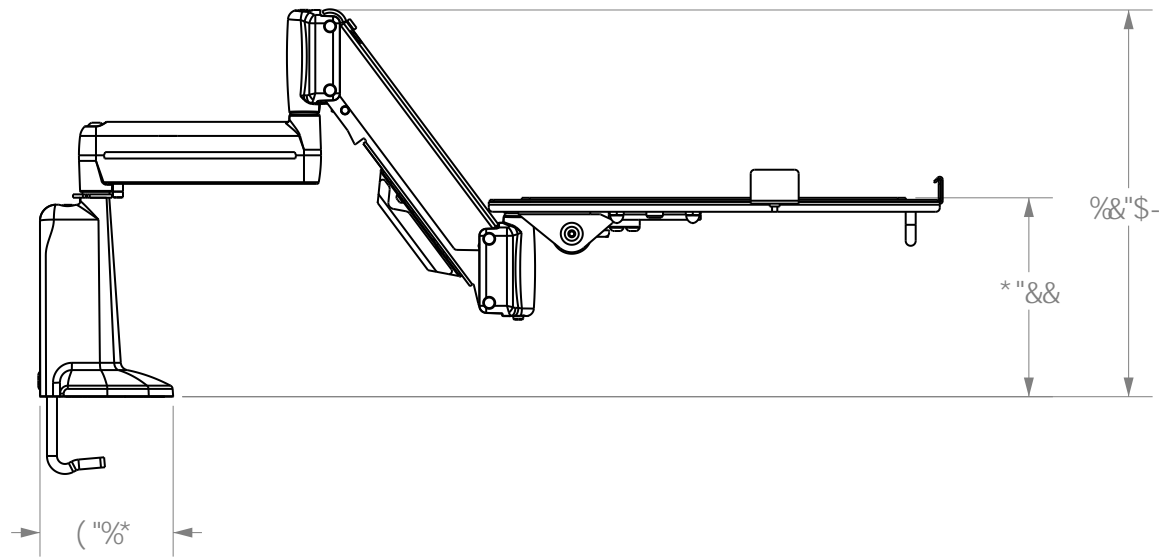
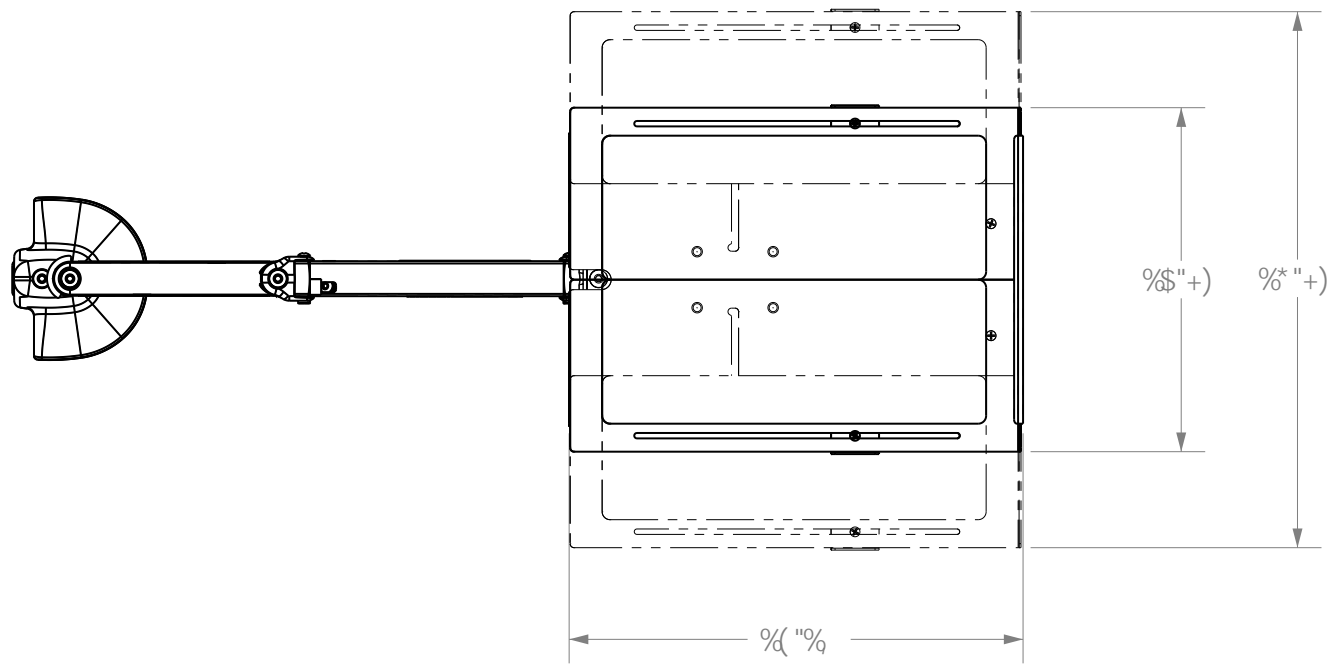


8
7
6
5

8
7
6
5



7 < 9. A 5BI : 57H FB; `B7"
 A CI BHC F89 BI A 69F `G:; @%/\$
 D<CB9.%, \$!\$), &* (, \$

G<99HG7 5 @'1 %*

H<9-B: CFA 5HCB`5B8`89G; BG7CBH5-B98
 -B`H-G8F5K-B; `5F97CB: -89BH5@5B8`H<9
 DFCDF-9-5FMDFC D9FMC: 7<-9. `A:; `Z-B7"
 B9H<9`H-G89G; B`BCF`5BM-B: CFA 5HCB
 7CBH5-B98`-B`H-G8F5K-B; `A 5M69
 F9DFC 8I 798`CF`8-67 @G98`HC`CH`9FG
 K`H<CI`H<99LDF9GGK F#H9B 7CB99BHC:
 7<-9. `A:; `Z-B7"

CHIEF (\$%95: @9 7 F99? D?M
 G #P. +\$\$
 G5J5: 92A B))' +,
 D<CB9.-) &.- (1* & \$
 :5L.; ++, -(1*-%

H#99
71 G<A 9F`DF-BH
 :; @%/\$

G#9`BK: `BC*
 6 :; @%/\$