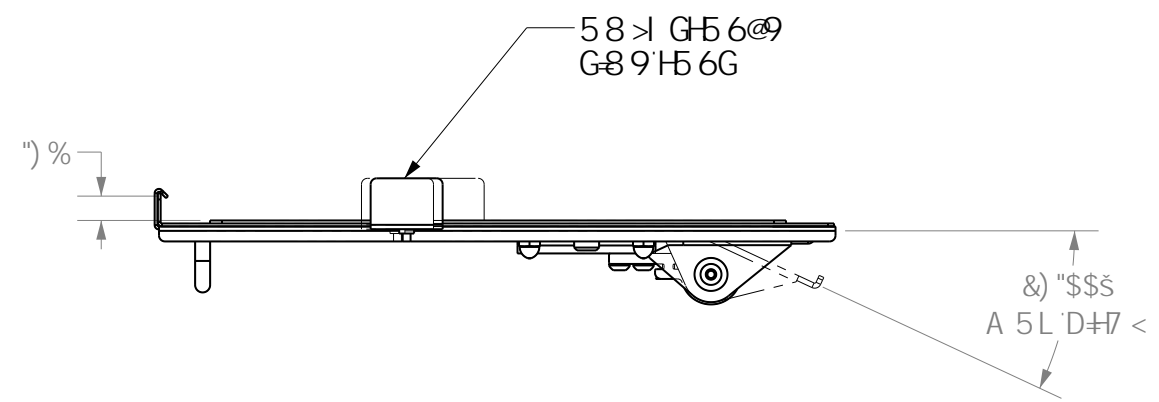
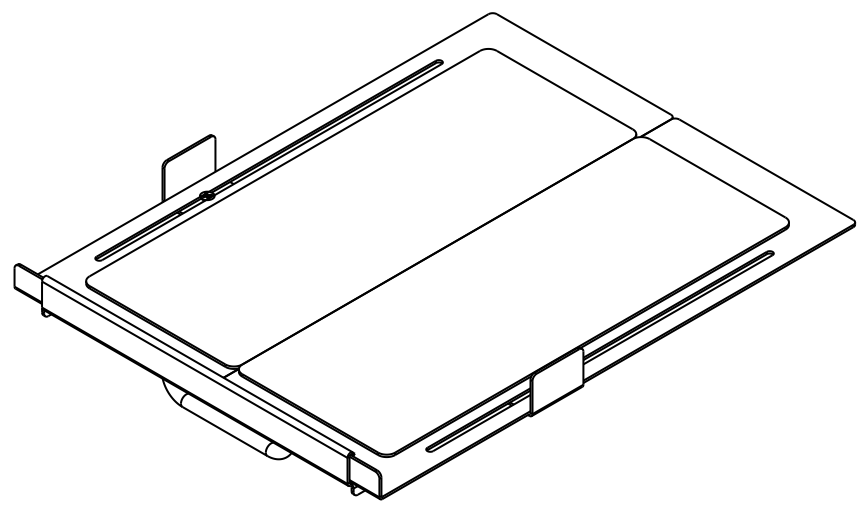
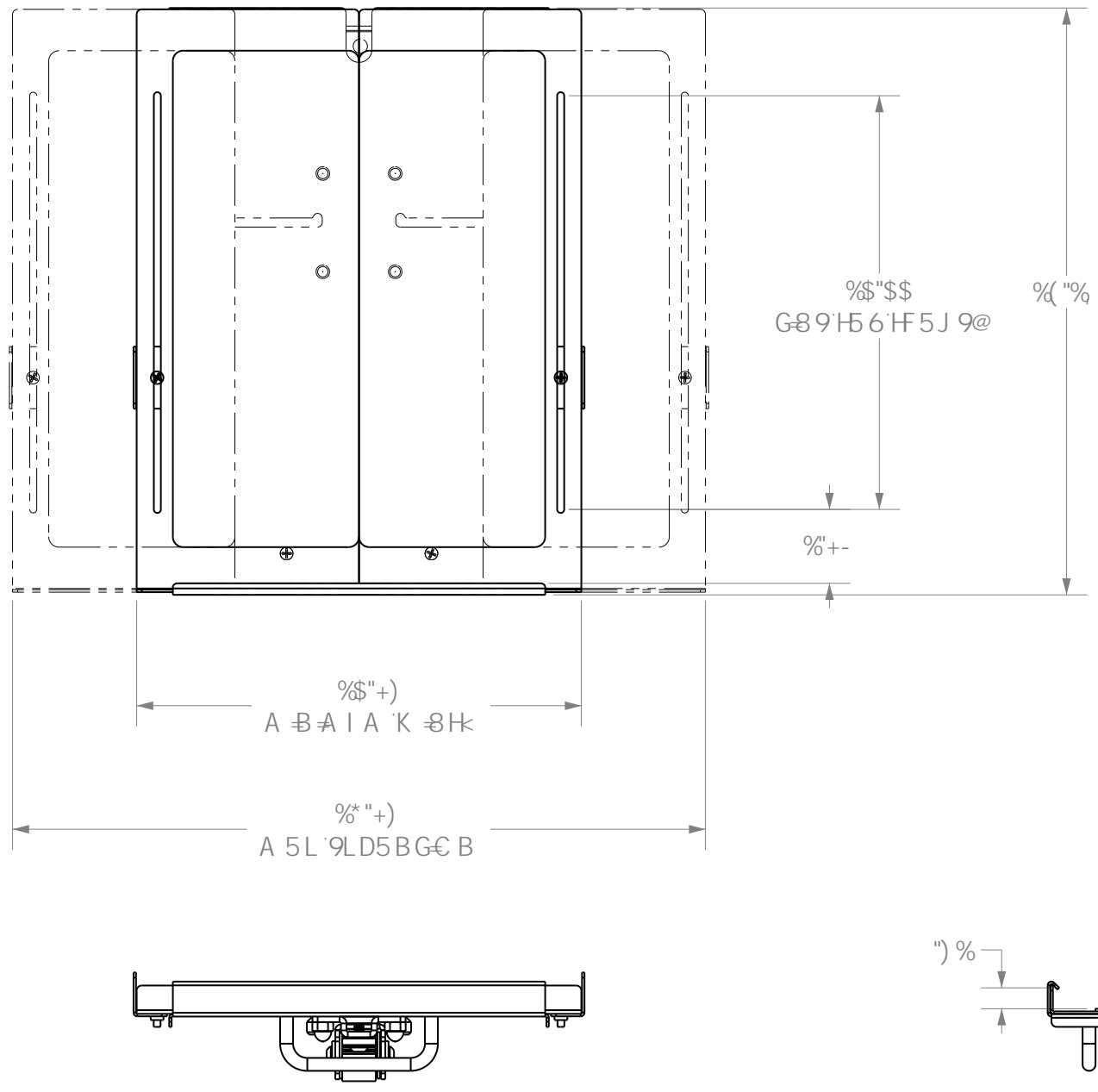


8
7
6
5

8
7
6
5



7 < 9. A 5BI : 57HFB; 'B7"
A CI BHC F89F BI A 69F 'G?G5!%\$%
D < CB9. %, \$ \$!), & * (, \$

G < 99HG7 5 @ 9'1' % (

H 9-B: CFA 5HCB '5B8'89G- BG7CBH5-B98
-B'k-G8F5K-B; '5F97CB: -89BH5@5B8'Hk9
DFC DF-9H5FMDFC D9FMC: 7 < 9. 'A:; 'Z-B7"
B9Hk9F'Hk-G89G- B'BCF'5BM-B: CFA 5HCB
7CBH5-B98-B'k-G8F5K-B; 'A5M69
F9DFC8I 798'CF'8-67 @G98'HC'CH'9FG
K HkCI Hk99LDF9GGK F#H9B 7CBG9BHC:
7 < 9. 'A:; 'Z-B7"

CHIEF (\$%95; @9 7 F99? D?M
G #P. +\$\$
(5J5: 92AB))' +,
D<CB9.;) & . -(1* & \$
:5L.; ++, -(1*-%

H#99
71 GCA 9F DF-BH
?G5!%\$%

G#9' BK: "BC"
6 ?G5!%\$%