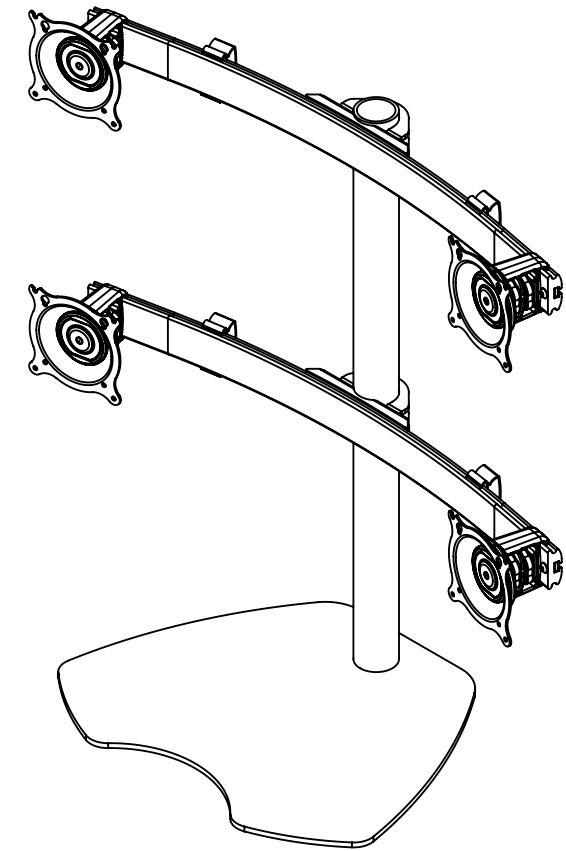
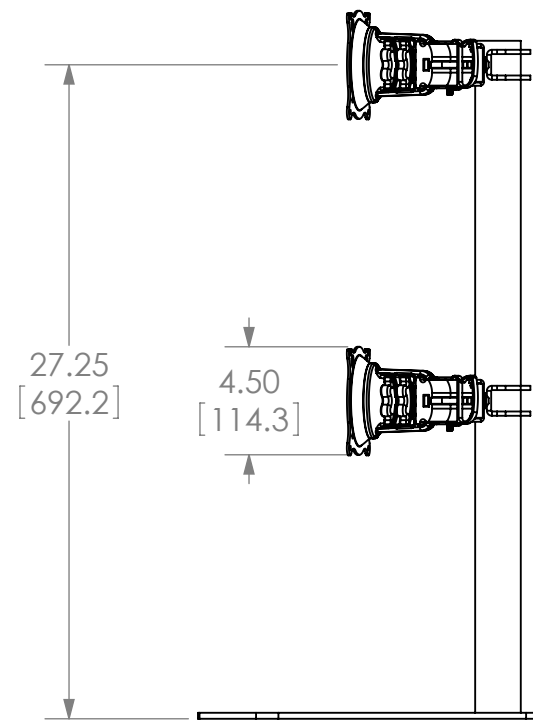
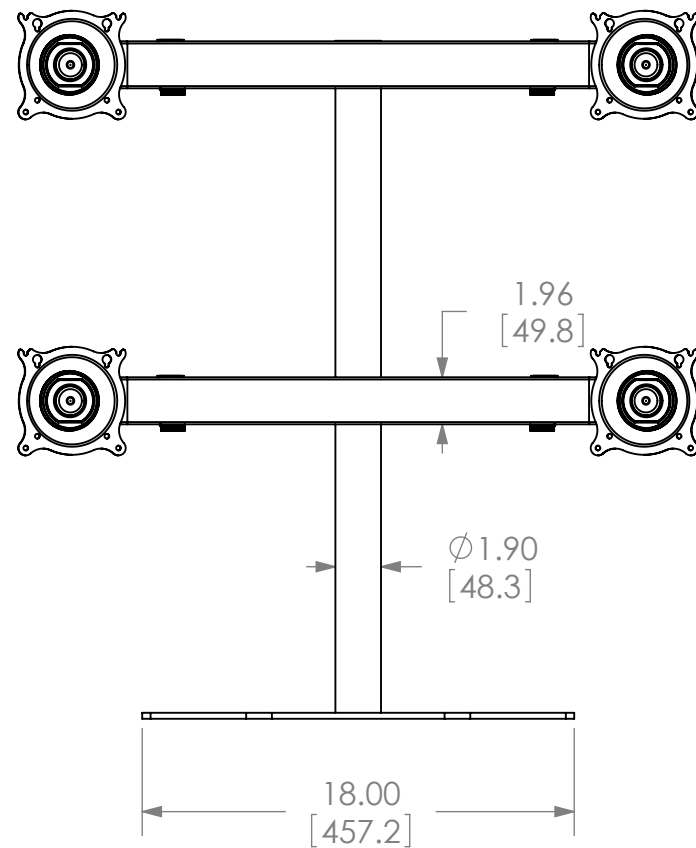


IF SAME SIZE DISPLAY IS USED FOR BOTH,  
MAXIMUM SCREEN WIDTH OF 22.7"



**CHIEF MANUFACTURING INC.**  
MOUNT ORDER NUMBER IS MSP-DCCFTP440B  
PHONE: 1-800-582-6480

SHEET SCALE = 1:8

THE INFORMATION AND DESIGNS CONTAINED  
IN THIS DRAWING ARE CONFIDENTIAL AND THE  
PROPRIETARY PROPERTY OF CHIEF MFG., INC.  
NEITHER THIS DESIGN NOR ANY INFORMATION  
CONTAINED IN THIS DRAWING MAY BE  
REPRODUCED OR DISCLOSED TO OTHERS  
WITHOUT THE EXPRESS WRITTEN CONSENT OF  
CHIEF MFG., INC.



TITLE  
**CUSTOMER PRINT  
MSP-DCCFTP440B**

SIZE DWG. NO.  
**B MSP-DCCFTP440B**

8401 EAGLE CREEK PKY  
SUITE #700  
SAVAGE, MN 55378  
PHONE: 952-894-6280  
FAX: 877-894-6918

MSP-DCCFTP440B

D

C

B

A

D

C

B

A

1

2

3

4

5

6

7

8

1

2

3

4

5

6

7

8