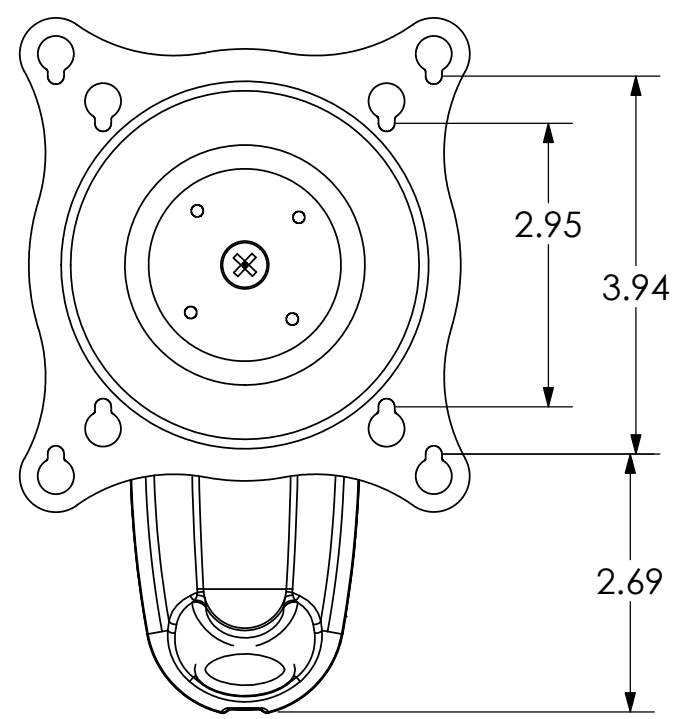
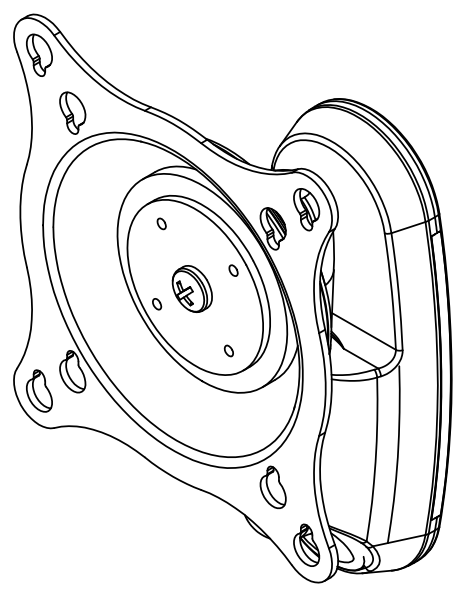
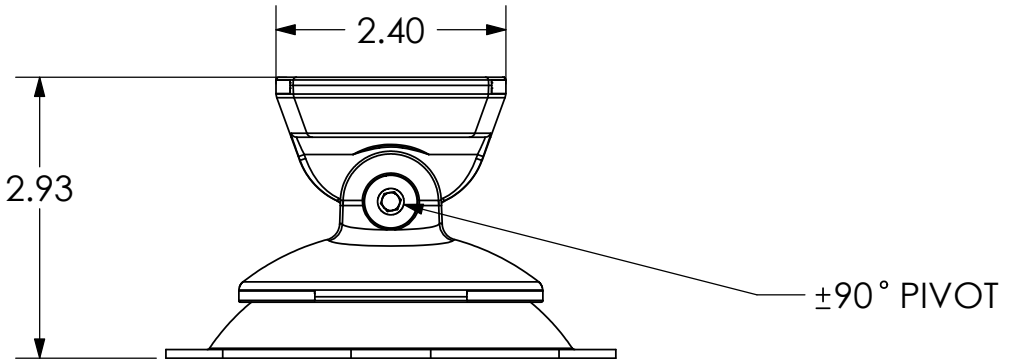
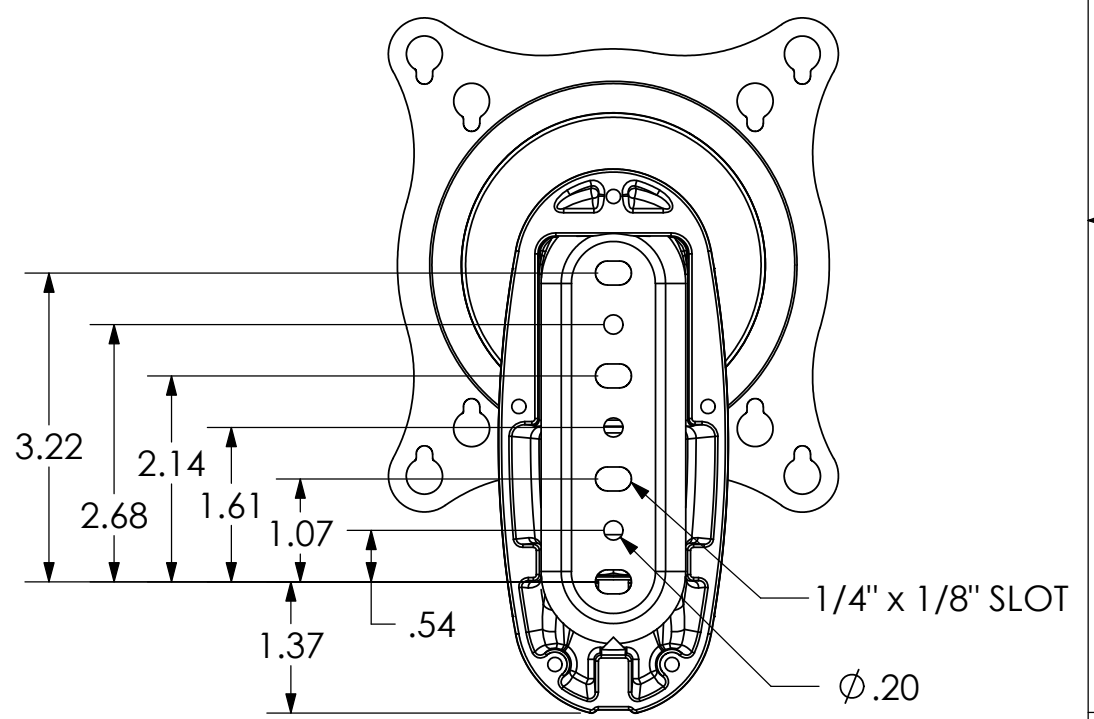
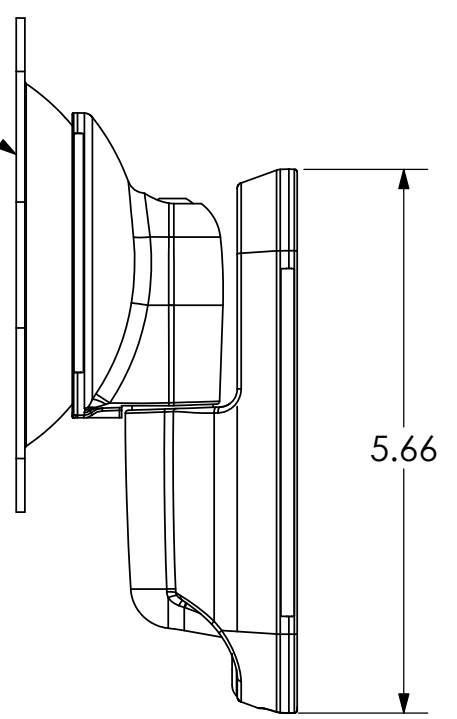


MSP-DCCFWP110B



FACE PIVOTS
15° UP/DOWN
15° LEFT/RIGHT



CHIEF MANUFACTURING INC.
MOUNT ORDER NUMBER IS MSP-DCCFWP110B
PHONE: 1-800-582-6480

THE INFORMATION AND DESIGNS CONTAINED IN THIS DRAWING ARE CONFIDENTIAL AND THE PROPRIETARY PROPERTY OF CHIEF MFG., INC. NEITHER THIS DESIGN NOR ANY INFORMATION CONTAINED IN THIS DRAWING MAY BE REPRODUCED OR DISCLOSED TO OTHERS WITHOUT THE EXPRESS WRITTEN CONSENT OF CHIEF MFG., INC.

 CHIEF MANUFACTURING, INC. <small>8401 EAGLE CREEK PKWY STE. 700, SAVAGE, MN 55378 1.800.582.6480 * FAX 1.877.894.6918</small>	
<small>TITLE</small> CUSTOMER PRINT MSP-DCCFWP110B	
<small>SIZE</small> B	<small>DWG. NO.</small> MSP-DCCFWP110B