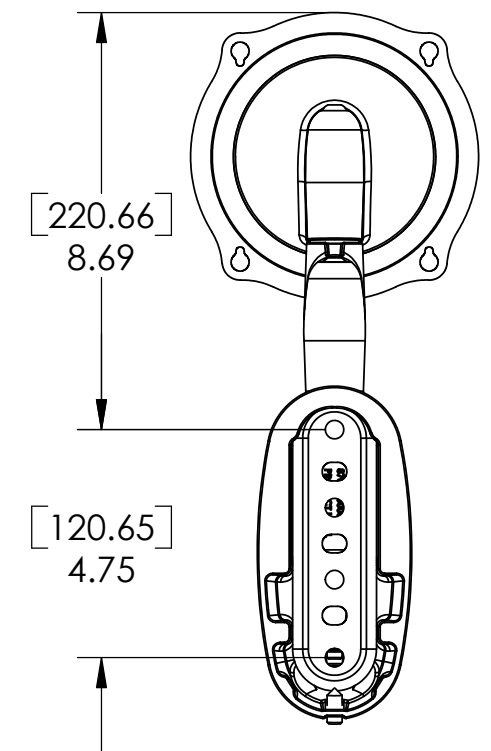
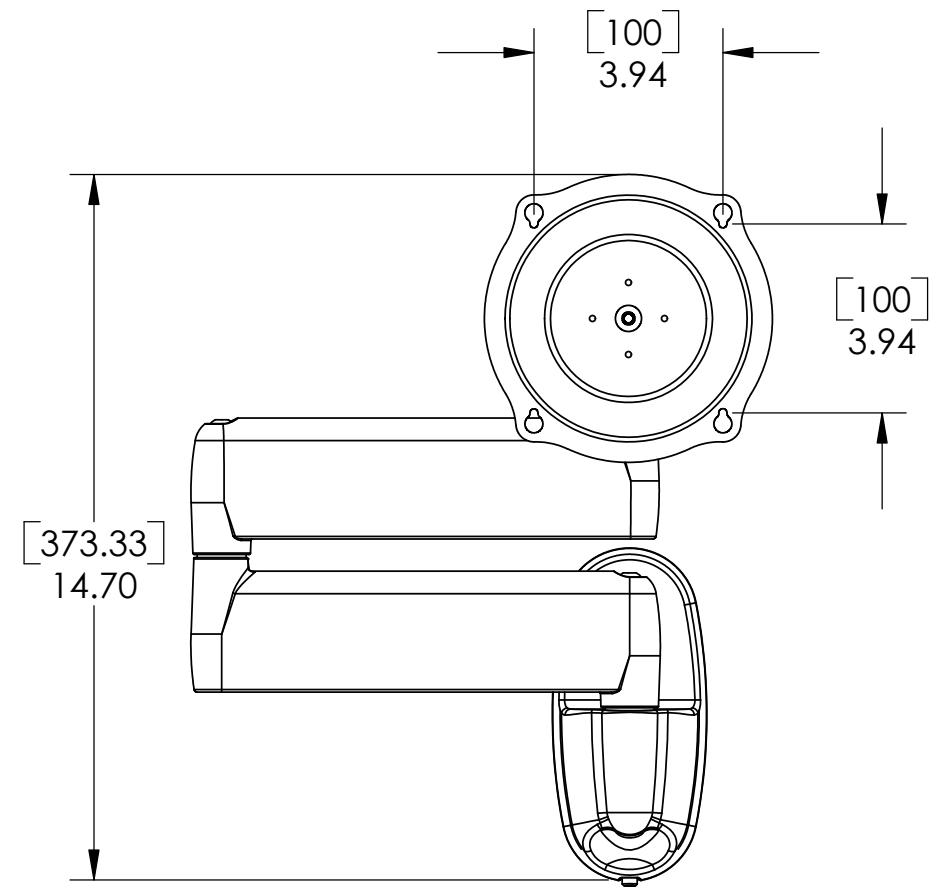
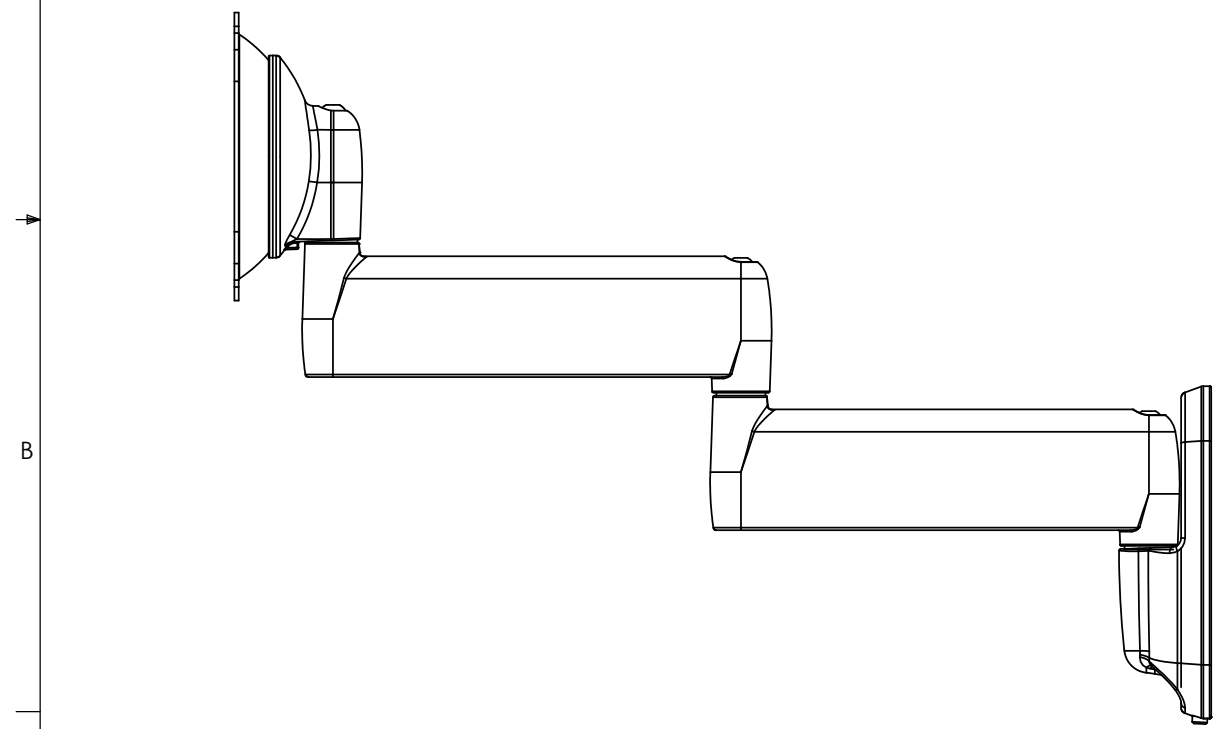
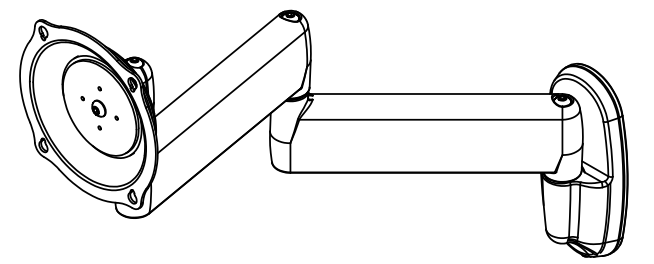
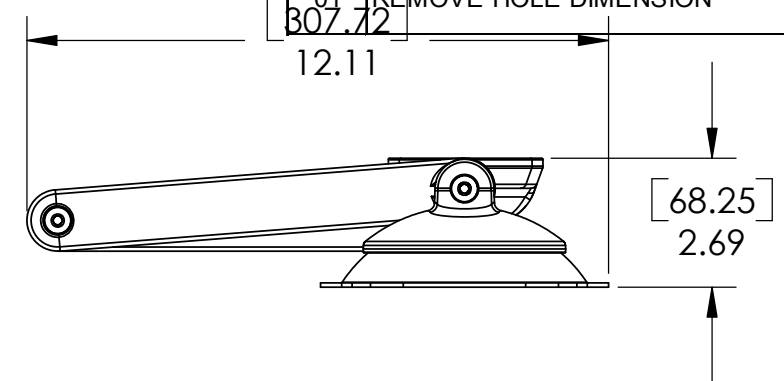
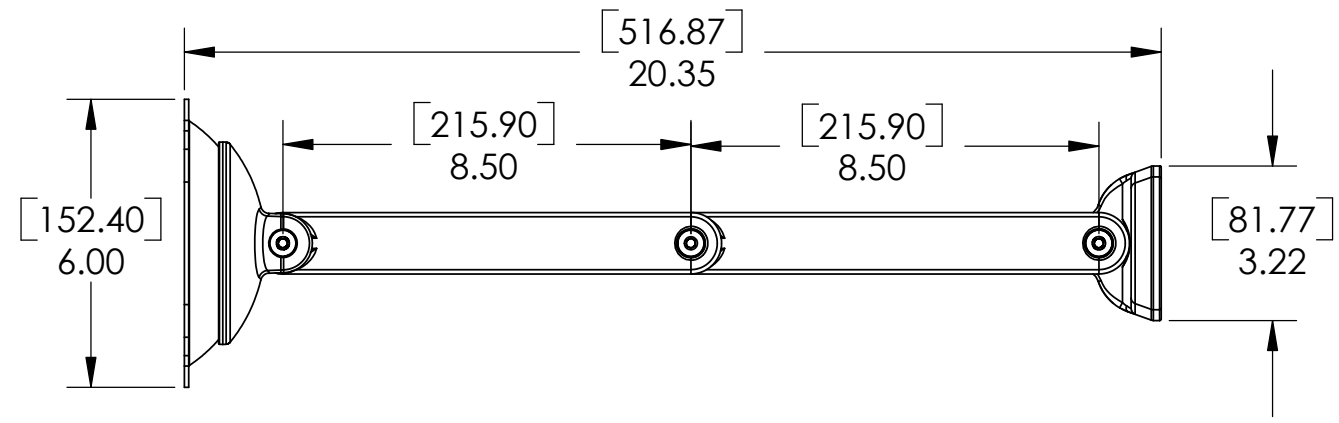


REV	DESCRIPTION	DATE	ECO #	AUTH
00	RELEASED FOR PRODUCTION	5/10/2005		P.M.S.
01	REMOVE HOLE DIMENSION	6/6/2005		P.M.S.



**CHIEF MANUFACTURING INC.**  
**MOUNT ORDER NUMBER IS MSP-DCCMD**  
**PHONE: 1-800-582-6480**

**THE INFORMATION AND DESIGNS CONTAINED IN THIS DRAWING ARE CONFIDENTIAL AND THE PROPRIETARY PROPERTY OF CHIEF MFG., INC. NEITHER THIS DESIGN NOR ANY INFORMATION CONTAINED IN THIS DRAWING MAY BE REPRODUCED OR DISCLOSED TO OTHERS WITHOUT THE EXPRESS WRITTEN CONSENT OF CHIEF MFG., INC.**

**CHIEF** MANUFACTURING, INC.  
 8401 EAGLE CREEK PKWY STE. 700, SAVAGE, MN 55378  
 1.800.582.6480 \* FAX 1.877.894.6918

TITLE  
**CUSTOMER PRINT  
 ASSEMBLY, DUAL ARM  
 MID SIZE LCD WALL MOUNT  
 MSP-DCCMD**

SIZE B DWG. NO. **MSP-DCCMD** REV **01**