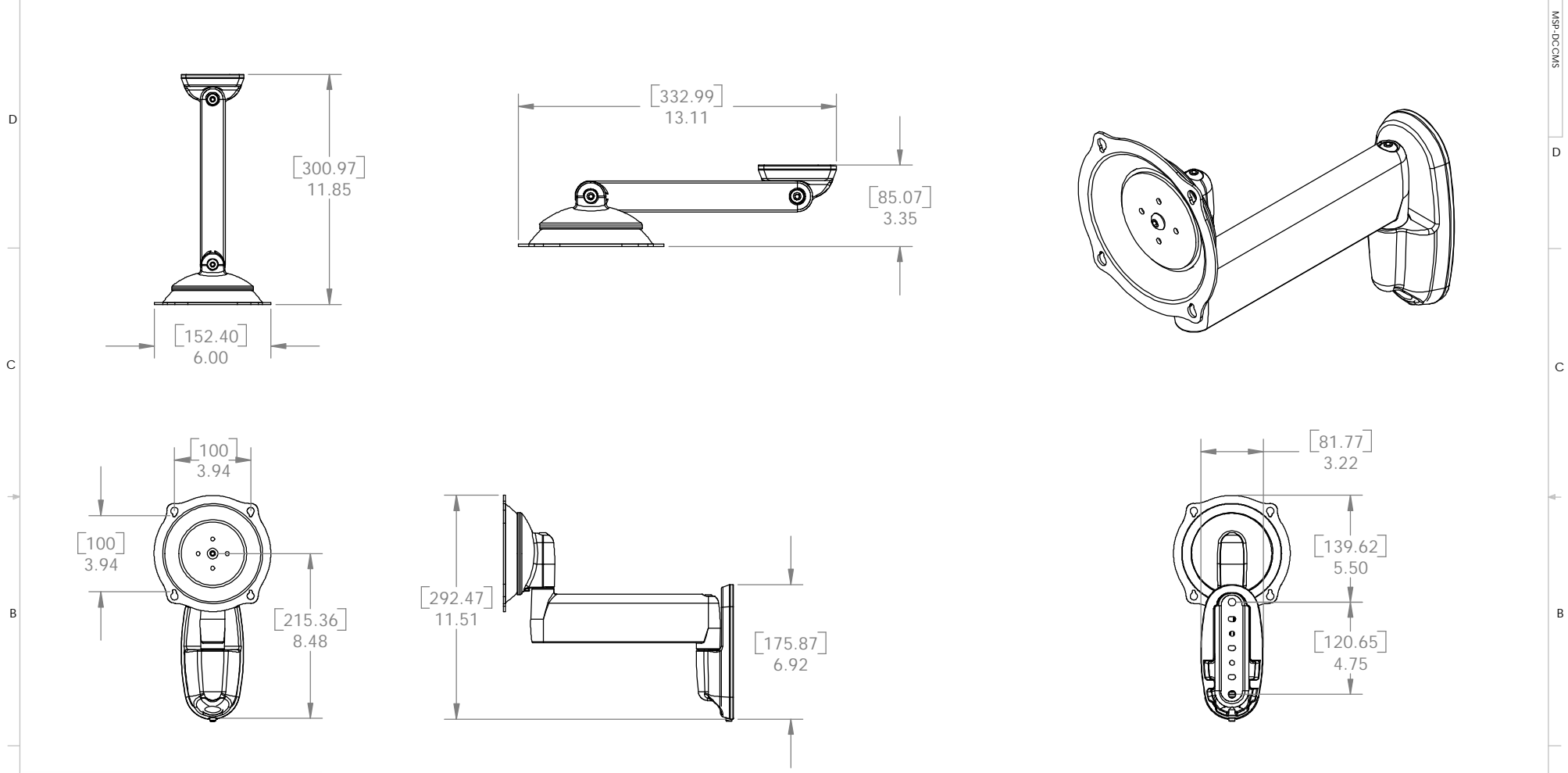


1 2 3 4 5 6 7 8



MSP-DCCMS

D

C

B

A



CHIEF MANUFACTURING INC.
MOUNT ORDER NUMBER IS MSP-DCCMS
PHONE: 1-800-582-6480

THE INFORMATION AND DESIGNS CONTAINED IN THIS DRAWING ARE CONFIDENTIAL AND THE PROPRIETARY PROPERTY OF CHIEF MFG., INC. NEITHER THIS DESIGN NOR ANY INFORMATION CONTAINED IN THIS DRAWING MAY BE REPRODUCED OR DISCLOSED TO OTHERS WITHOUT THE EXPRESS WRITTEN CONSENT OF CHIEF MFG., INC.

CHIEF MANUFACTURING, INC.
8401 EAGLE CREEK PKWY STE. 700, SAVAGE, MN 55378
1.800.582.6480 • FAX 1.877.894.6918

TITLE
CUSTOMER PRINT
ASSEMBLY, SINGLE ARM
MID SIZE LCD WALL MOUNT
MSP-DCCMS

SIZE DWG. NO. MSP-DCCMS 01

1 2 3 4 5 6 7 8