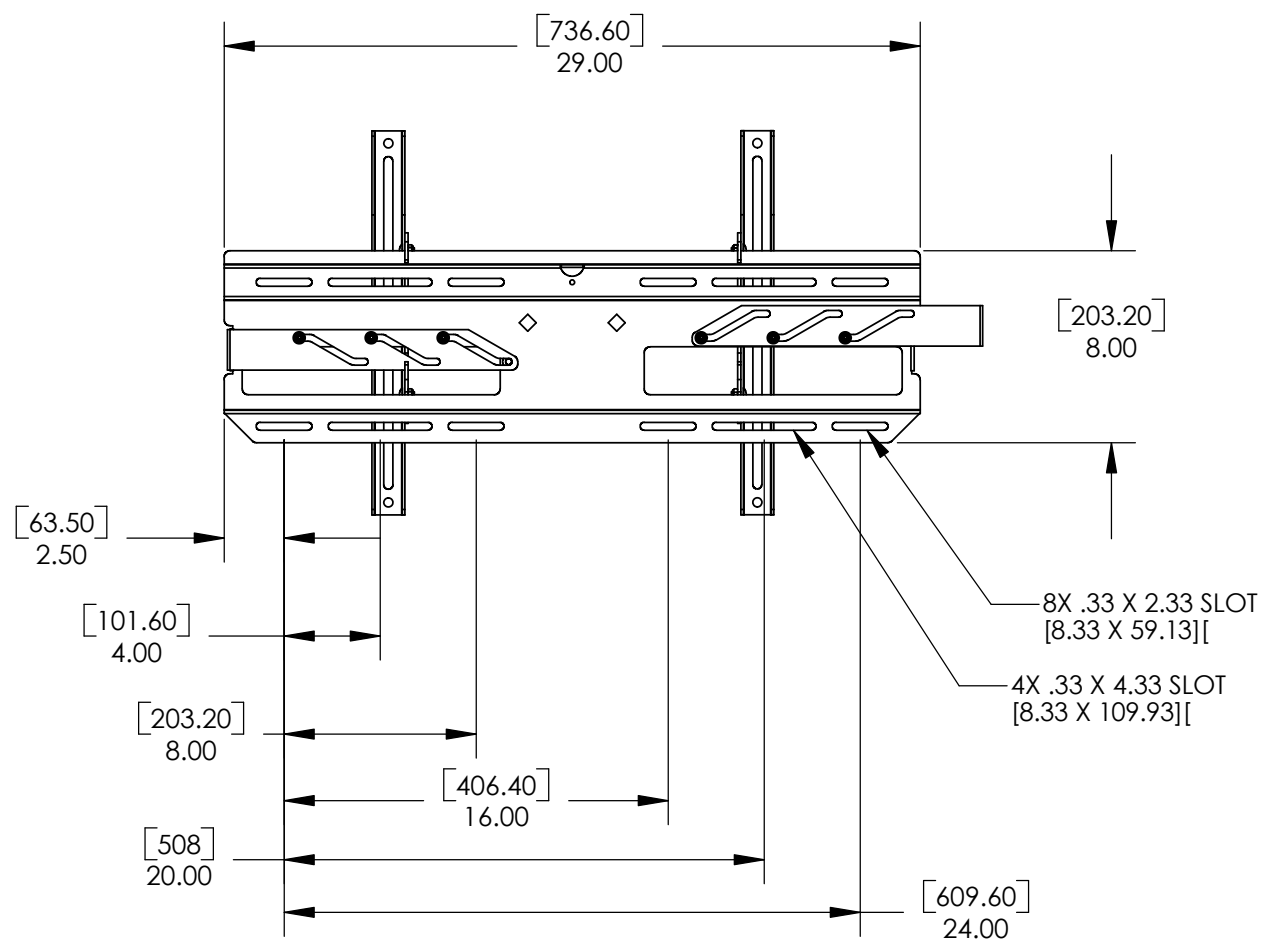
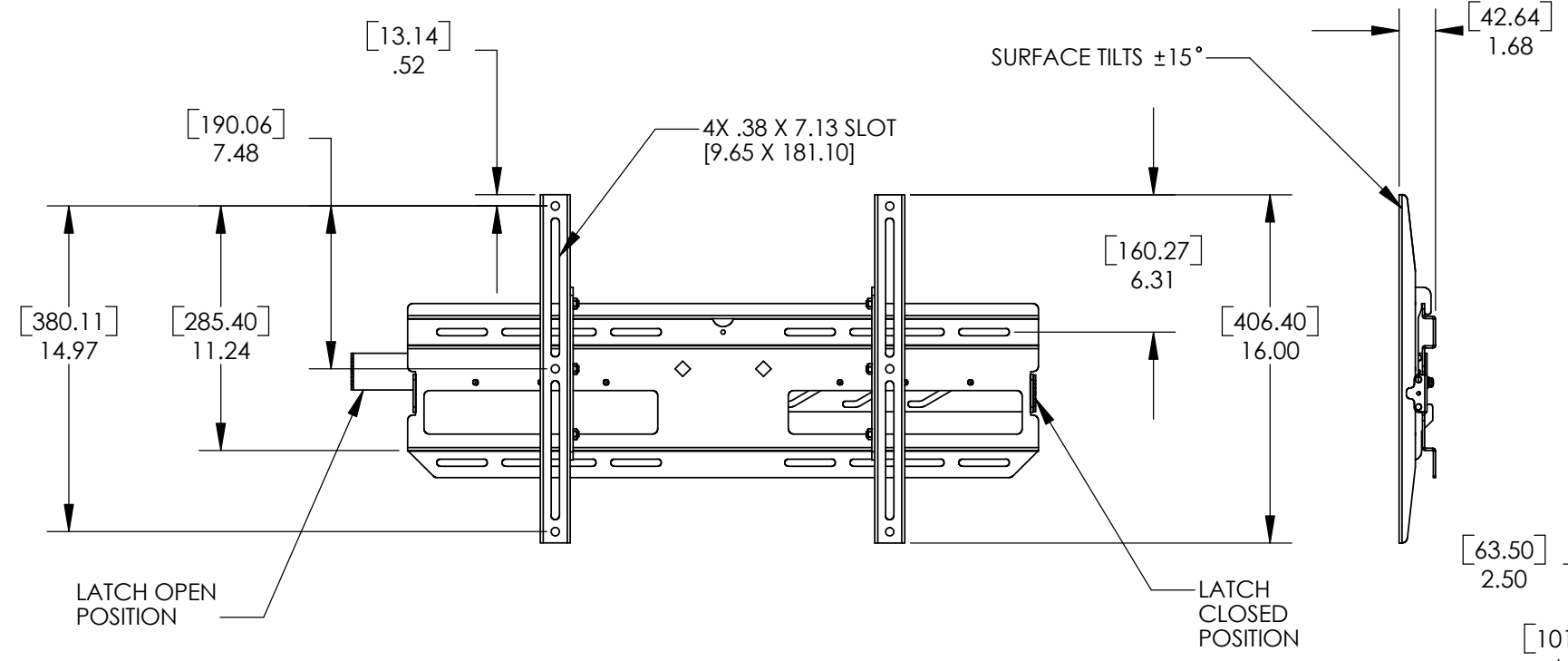
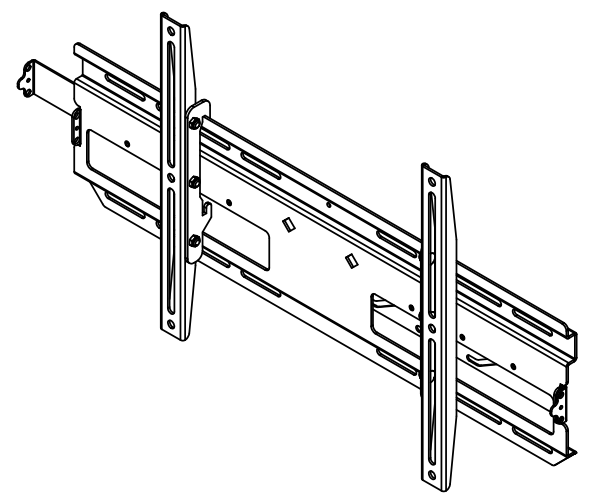
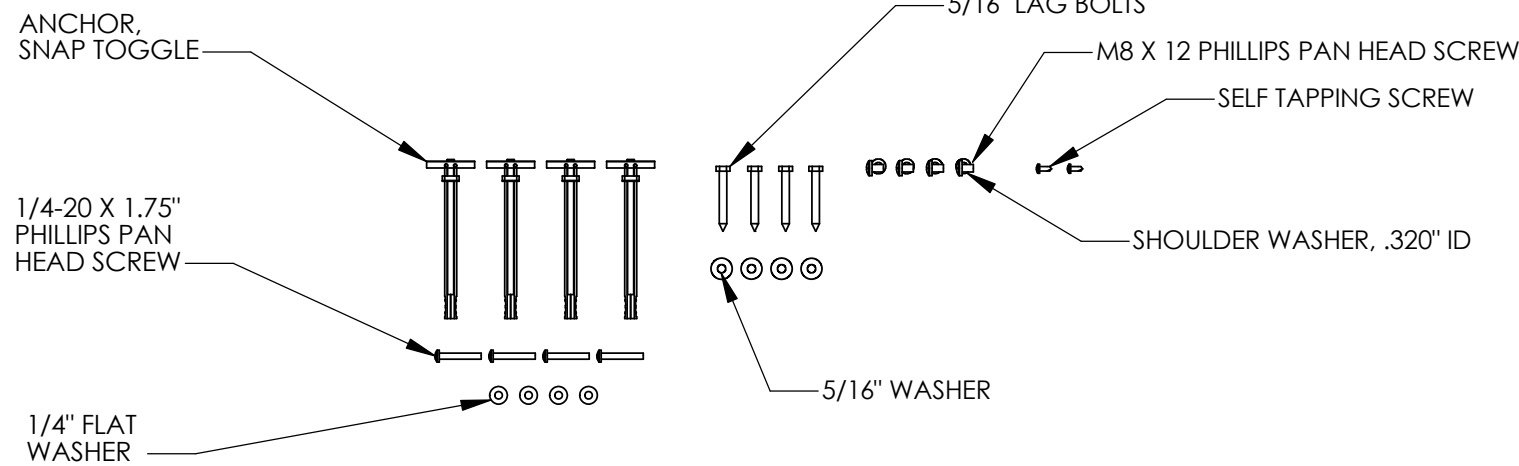


**PATENTS PENDING**

REV	DESCRIPTION	DATE	ECO #	AUTH
00	RELEASE FOR PRODUCTION	7/20/2005	1364	J.A.B.



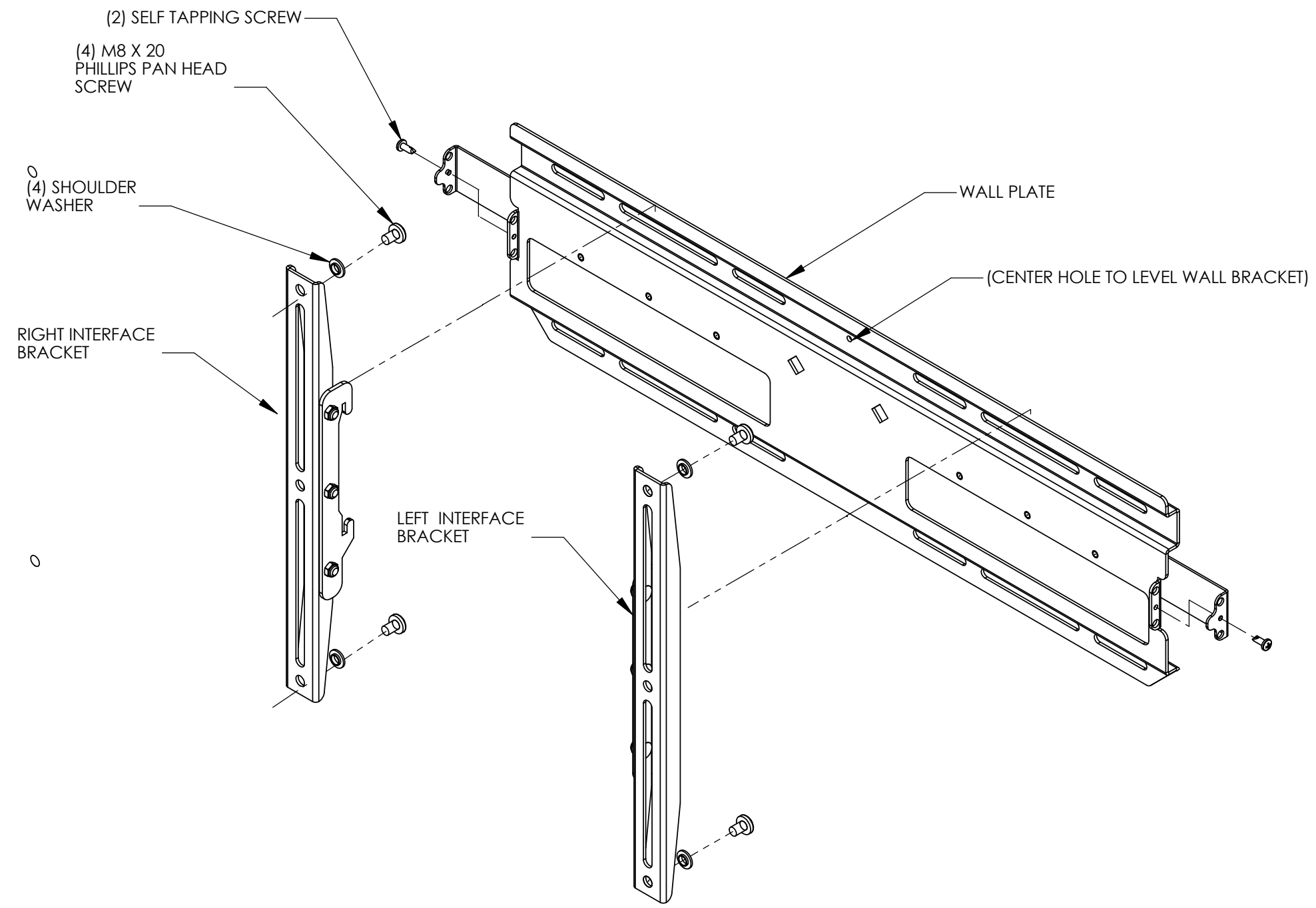
**CHIEF MANUFACTURING INC.**  
 MOUNT ORDER NUMBER IS MSP-DCCPDPS  
 PHONE: 1-800-582-6480

THE INFORMATION AND DESIGNS CONTAINED IN THIS DRAWING ARE CONFIDENTIAL AND THE PROPRIETARY PROPERTY OF CHIEF MFG., INC. NEITHER THIS DESIGN NOR ANY INFORMATION CONTAINED IN THIS DRAWING MAY BE REPRODUCED OR DISCLOSED TO OTHERS WITHOUT THE EXPRESS WRITTEN CONSENT OF CHIEF MFG., INC.

**CHIEF** MANUFACTURING, INC.  
 12800 HWY 13 SOUTH STE. 500 \* SAVAGE, MN 55378  
 1.800.582.6480 \* fax 1.877.894.6918

TITLE  
**CUSTOMER PRINT ASSEMBLY MSP-DCCPDPS/D8088**

SIZE DWG. NO. REV  
**B MSP-DCCPDPS/D8088 00**



**CHIEF MANUFACTURING INC.**  
**MOUNT ORDER NUMBER IS MSP-DCCPDPS**  
**PHONE: 1-800-582-6480**

**THE INFORMATION AND DESIGNS CONTAINED  
 IN THIS DRAWING ARE CONFIDENTIAL AND THE  
 PROPRIETARY PROPERTY OF CHIEF MFG., INC.  
 NEITHER THIS DESIGN NOR ANY INFORMATION  
 CONTAINED IN THIS DRAWING MAY BE  
 REPRODUCED OR DISCLOSED TO OTHERS  
 WITHOUT THE EXPRESS WRITTEN CONSENT OF  
 CHIEF MFG., INC.**

 <b>CHIEF</b> MANUFACTURING, INC. <small>12800 HWY 13 SOUTH STE. 500 * SAVAGE, MN 55378        1.800.582.6480 * fax 1.877.894.6918</small>	
<small>TITLE</small> <b>CUSTOMER PRINT        ASSEMBLY        MSP-DCCPDPS/D8088</b>	
<small>SIZE</small> <b>B</b>	<small>DWG. NO.</small> <b>MSP-DCCPDPS/D8088</b>